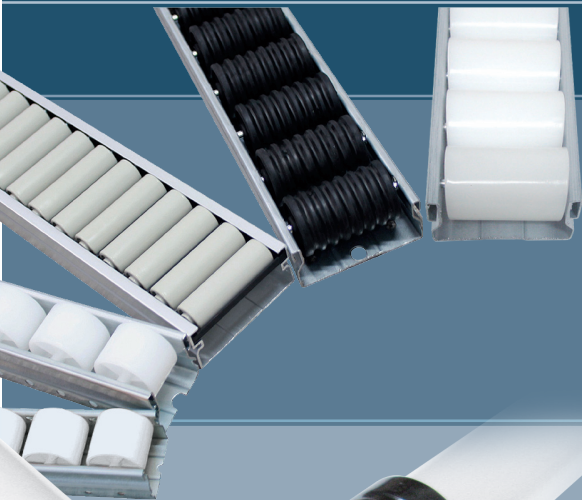


[www.gsace.com](http://www.gsace.com)

# PIPE RACKING SYSTEM

ISO 9001/ISO 14001 Certified

**G.S.ACE INDUSTRY**  
is the only pipe rack manufacturer in Korea  
equipped with comprehensive production systems  
ranging from parts production to assembly



**G.S.ACE INDUSTRY CO., LTD.**

# Comprehensive Production from part manufacturing to assembly

G.S.ACE Industry is the only pipe rack manufacturer in Korea equipped with comprehensive production systems ranging from parts production to assembly.

## History

Oct.	1993	Established G.S. Ace Industry
Jun.	2001	Company selected as a promising small and medium exporting business (Small and Medium Business Administration)
Jul.	2001	Obtained ISO 9001 certification
May	2002	Established office in China (Shanghai, China)
Aug.	2003	Company selected as a promising small and medium business in Gyeonggi Province (Gyeonggi Provincial Government)
Dec.	2004	Obtained ISO 14001 certification
Dec.	2004	Venture business registration
Nov.	2005	Company selected as an Inno-biz company
Oct.	2006	Developed ECO-PIPE for the first time in the world, completed facility installation (patent application)
Jan.	2007	Converted plating of entire products to Cro3
Mar.	2007	Developed curve joint (G-90S) for the first time in the world (patent application)
Mar.	2007	Established the auxiliary technology research center
Oct.	2008	Obtained ROHS certification (Korea Research Institute of Chemical Engineering)
Dec.	2008	Received the Ten-Million-Dollar Tower of Export
Apr.	2009	Company selected for a brand guaranteed by KOTRA
Jun.	2009	Developed and commenced sale of D-Coat Pipe
Mar.	2010	Established Changwon Factory
Oct.	2010	Established the 2nd factory, Korea (10,557㎡ in land, 4,998㎡ in building area)
Nov.	2010	Completed the facility of Stainless Pipe (3 production Line)
May.	2011	Developed Universal Roller (40&60 Type/patent application)
Dec.	2011	Developed Spiral Pipe
Jul.	2012	Twenty-Million Dollar of Exports
Oct.	2013	Certificated 'Next Global Champ by Ministry of Trade, Industry and Energy Republic of Korea
Apr.	2014	Expansion of the 2nd factory, Korea (10,949㎡ in land, 6,013㎡ in building area) (Total: 21,506㎡ in land, 11,011㎡ in building area)
Jul.	2014	Releasing Aluminum Racking System
Mar.	2015	Completed Aluminum Extrusion Line (1350Ton)
Oct.	2015	Completed Aluminum Die Casting Line (125Ton, 2 Production Lines)
Feb.	2016	Established office in Vietnam (2,648㎡ in land, 1,700㎡ in building area)
May.	2016	Established Advanced Research and Development Center

## Contents

### PIPE RACKING SYSTEM

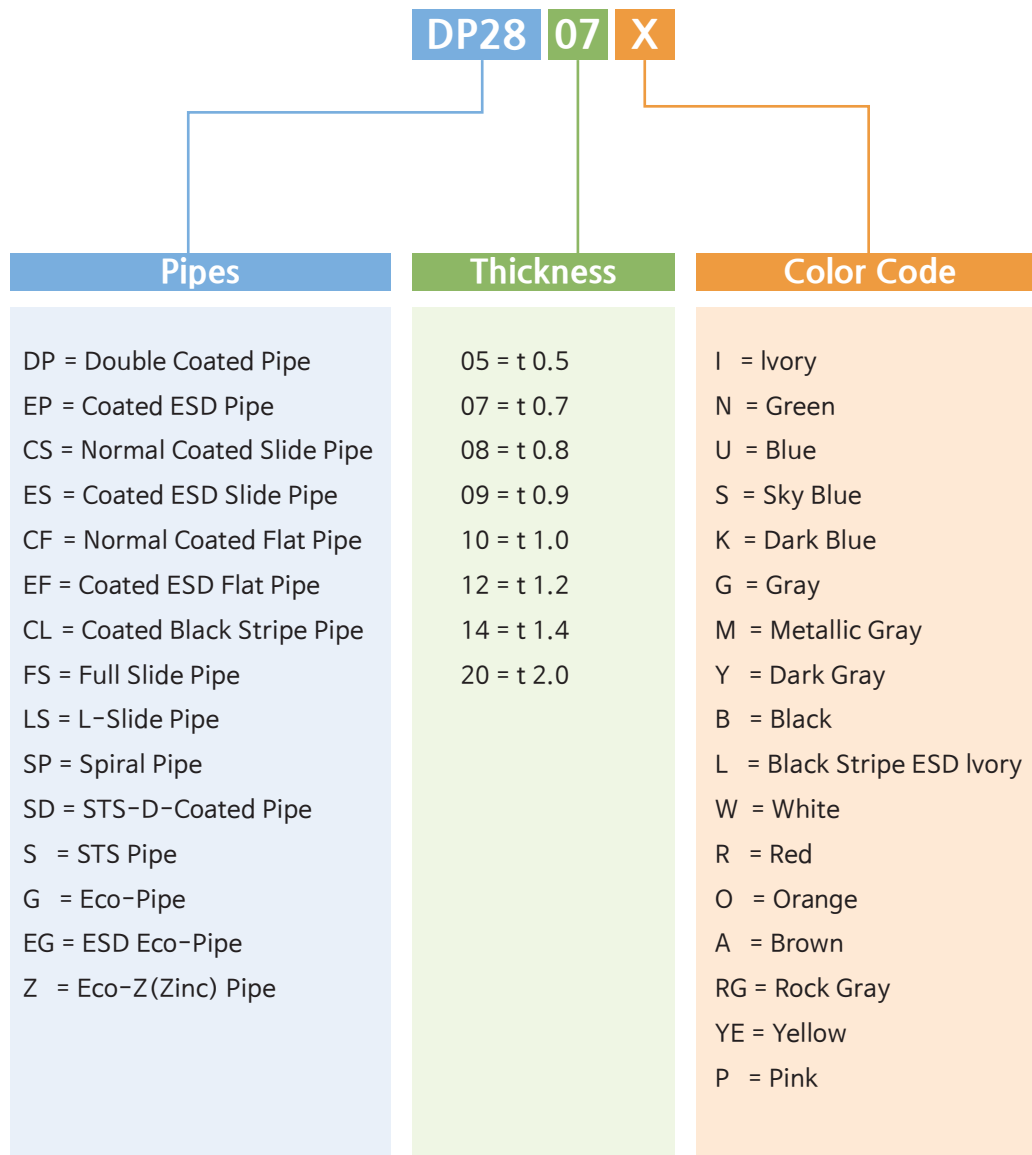
- PIPES ————— 4
- METAL JOINTS ————— 10
- PLASTIC JOINTS ————— 27
- ROLLER TRACKS ————— 43
  - ROLLER TRACK MOUNT BRACKET ————— 55
  - ROLLER TRACK CAP ————— 80
- ACCESSORIES ————— 83
- CASTERS ————— 143
  - FLOOR LOCK ————— 149
- LIFT TABLE ————— 150
- TECHNICAL SPECIFICATIONS ————— 153
- EXAMPLES ————— 155





# PIPES

## COLOR CODE NUMBERING SYSTEM FOR PIPE



Example : Case of coated Pipe Ivory Ø28×t1.0 is DP2810-i

# PIPES

## NUMBERING SYSTEM

Unit : mm

Classification	Item	Part No		Thickness	Weight (g)/M	Type	
		Normal Pipe	ESD Pipe				
Coated Pipe	D-Coated Pipe	DP2807-X	EP2807-X	∅28×t0.7	505		
		DP2809-X	EP2809-X	∅28×t0.9	630		
		DP2810-X	EP2810-X	∅28×t1.0	700		
		DP2814-X	EP2814-X	∅28×t1.4	830		
		DP2820-X	EP2820-X	∅28×t2.0	1,130		
		DP3210-X	-	∅32×t1.0	810		
	STS-D-Coated Pipe	SD2805-X	-	∅28×t0.5	395		
	Slide Pipe	CS2807-X	ES2807-X	∅28×t0.7	582		
		CS2809-X	ES2809-X	∅28×t0.9	650		
		CS2810-X	ES2810-X	∅28×t1.0	767		
		CS2820-X	ES2820-X	∅28×t2.0	690		
	Full Slide Pipe	FS2807-X	FS2807-E	∅28×t0.7	505		
		FS2809-X	FS2809-E	∅28×t0.9	630		
	L-Slide Pipe	LS2809-X	LS2809-E	∅28×t0.9	690		
		LS2810-X	LS2810-E	∅28×t1.0	750		
	Flat Pipe	CF2807-X	EF2807-X	∅28×t0.7	606		
		CF2809-X	EF2809-X	∅28×t0.9	720		
		CF2810-X	EF2810-X	∅28×t1.0	790		
	Black Stripe Pipe	-	CL2807-X	∅28×t0.7	505		
		-	CL2810-X	∅28×t1.0	690		
W-Pipe		RC2809 (Roller Conveyor)		∅28×t0.9	570		
Spiral Pipe		SP2809		∅28×t0.9	630		
Eco-Pipe	Powder Pipe	G2807-X	EG2807-X	∅28×t0.7	475		
		G2809-X	EG2809-X	∅28×t1.0	600		
		G2812-X	EG2812-X	∅28×t1.2	800		
		G2820-X	EG2820-X	∅28×t2.0	1100		
		Z2808		∅28×t0.8	550		
STS Pipe	Polished Pipe	S2807-PF		∅28×t0.7	448		
		S2809-PF		∅28×t0.9	581		
		S2812-PF		∅28×t1.2	760		

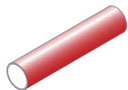









※ Standard Length - 4,000





# PIPES

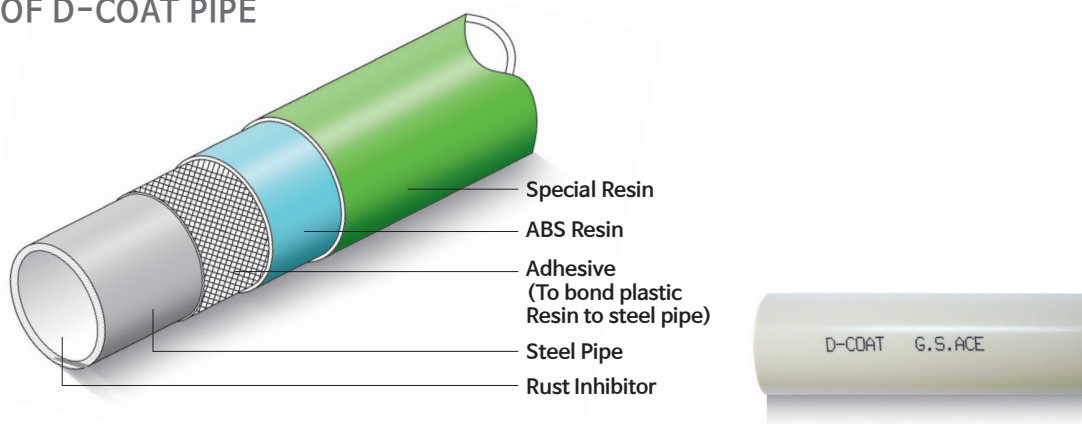
Unit : mm

Classification			Standard Length : 4000									
			Standard		Eco Pipe				Coated Pipe			
					Ø28 xT0.7	Ø28 xT0.9	Ø28 xT1.2	Ø28 xT2.0	Ø28 xT0.7	Ø28 xT0.9	Ø28 xT1.0	Ø28 xT1.4
Color												
Normal Pipe	Red		-	-	-	-	●	●	●	●	●	
	Orange		-	-	-	-	●	●	●	●	●	
	Brown		-	-	-	-	●	●	●	●	●	
	Yellow		●	●	●	●	●	●	●	●	●	
	Pink		-	-	-	-	●	●	●	●	●	
	Spiral		-	-	-	-	-	-	●	-	-	
ESD Pipe Antistatic: $10^7 \Omega$ $\sim 10^{10} \Omega$	Ivory		-	-	-	-	-	-	●	-	-	
	Gray		●	●	●	●	●	●	●	●	●	
ESD Pipe Conductivity: $10^3 \Omega$ $\sim 106 \Omega$	Black		●	●	●	●	●	●	●	●	●	
	Black Stripe		-	-	-	-	●	-	-	-	●	



# PIPES D-COATED PIPE

## FEATURES OF D-COAT PIPE



1. Steel Pipe is coated with ABS and final coated with newly developed material by G.S.ACE.
2. Compared to the conventional ABS coating pipe, D-Coat Pipe is outstanding in oil resistance and chemical resistance. In particular, salinity, rust preventative oil or cutting oil does not cause cracks or discoloration of the pipe.
3. This product comes in a variety of colors for use in various items or per company's image.
4. With outstanding durability, this pipe is easily processed. Rustproof coating inside the pipe provides superior corrosion resistance.

※ D-Coat Pipe is printed with 'D-COAT G.S.ACE'.

## CHEMICAL RESISTANCE OF COATING PIPE

Chemical	Test Method	Result		Chemical	Test Method	Result	
		D-COAT	ABS COAT			D-COAT	ABS COAT
Rust Preventative Oil	Coating	○	△	Transmission Oil	Coating	○	×
Sodium Chloride (Sweat)	Coating	○	×	Hair Spray	Coating	○	○
Brake Oil	Coating	○	×	Permanent Solution	Coating	○	○
UV Ray	Radiation	○	△	Pesticide	Coating	○	○
Cutting Oil	Coating	○	×	Sterilizer	Coating	○	○
Dishwashing Detergent	Coating	○	△	Liquid Fertilizer	Coating	○	○
Laundry Detergent	Coating	○	○	Soybean Oil	Coating	○	×
Bathroom Detergent	Coating	○	○	Bleach	Coating	○	○
Methyl Ethyl Keton	Deposition	×	×	Ethanol	Deposition	○	○
Ethylene Glycol	Deposition	○	○	Toluene	Deposition	×	×

1. Test Condition - Test by depositing pipe in or coating it with the designated chemical for 30 days
2. Notes - ○ : No change  
 △ : Change was observed, but the pipe is still usable.  
 × : Resin melted or crack occurred.

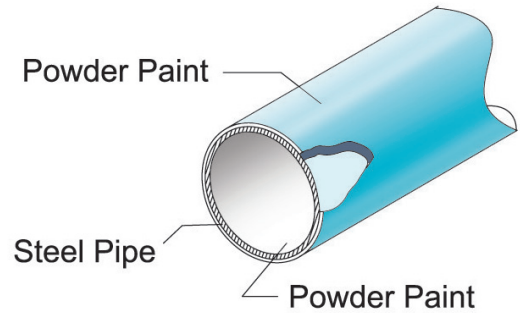
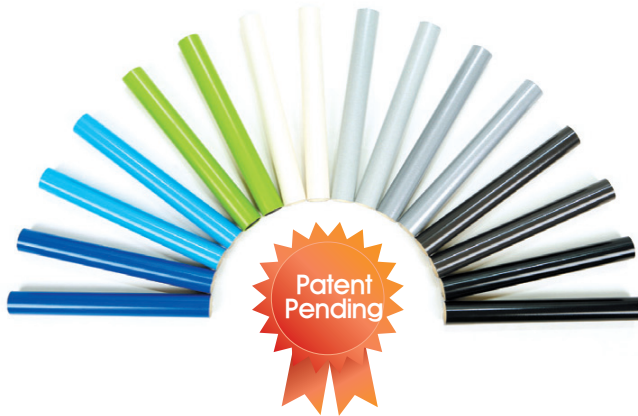




# PIPES

ECO / STS PIPE

## THE ADVANTAGES OF ECO-PIPE



### 1. Environmental

- ECO-pipe is fully recyclable.
- Powder painted steel pipe of internal and external surface

### 2. Economical

- 20% less than coated pipe
- 35% less than ESD coated pipe
- 30% less than stainless steel pipe

### 3. Colorful

- Wider selection of colors and textures.

### 4. Chemical resistant

- High resistant to oil, UV light, and corrosion.

### 5. Non-flammable

- No emission of toxic fumes in fire.

### 6. Electrolytic Corrosion Free

- Free of Electrolytic Corrosion.

## THE ADVANTAGES OF STAINLESS PIPE

### 1. Environmental

- Stainless pipe which is 100% recycable

### 2. High Strength & Durability

- Surface resistant to light abrasion or contact with metal tools

### 3. High Oil & Chemical Resistance

- High resistance to oil, solvents, bleaches, etc.

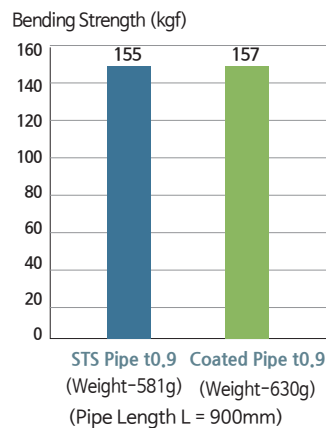
### 4. Non-Flammable

- Inherently non-flammable.

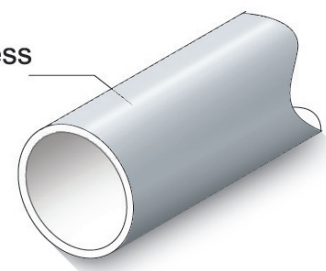
### 5. Conductive

- Inherently conductive

## STS PIPE VS. COATED PIPE BENDING STRENGTH

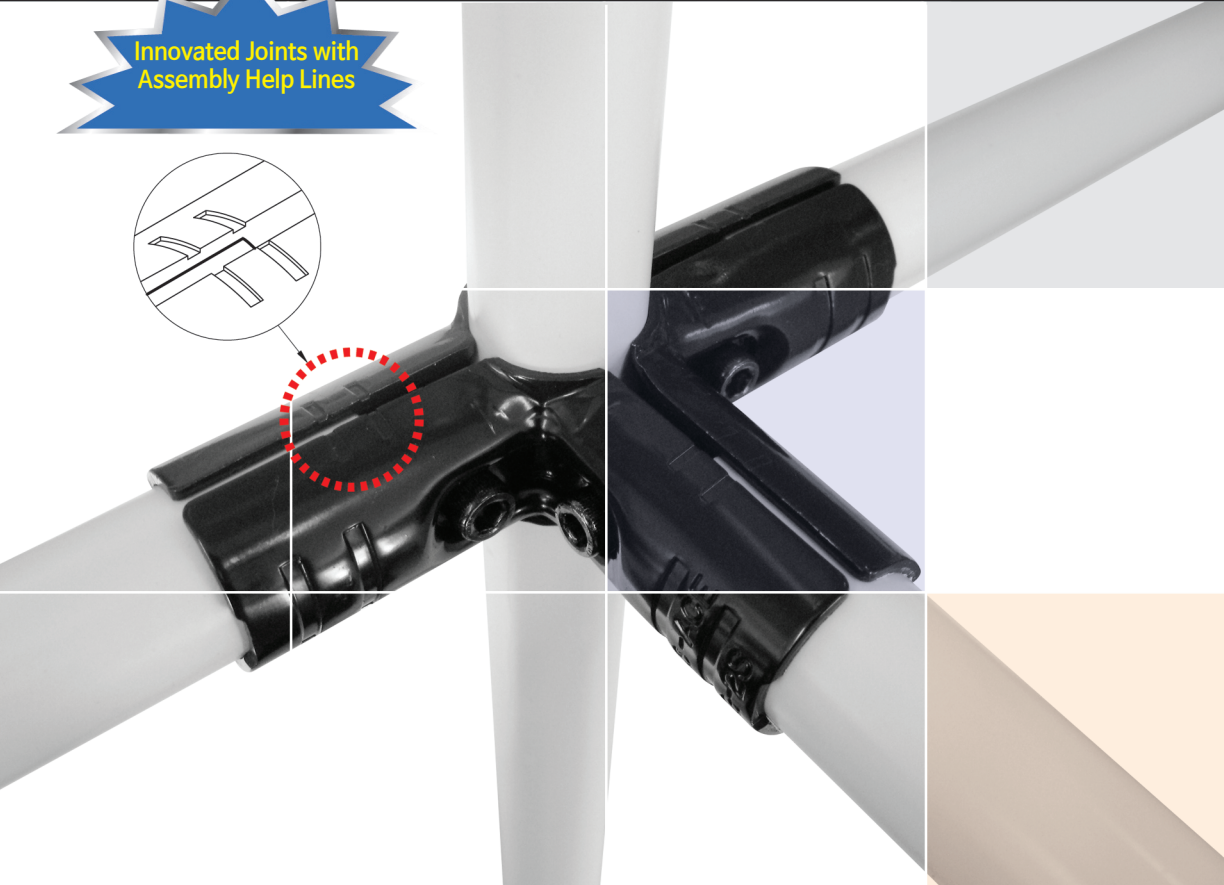
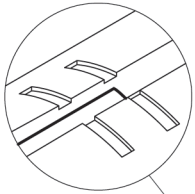


Stainless Pipe



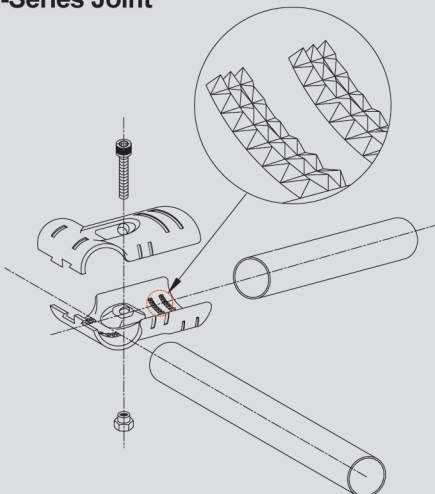
## METAL JOINTS

Innovated Joints with Assembly Help Lines



The Most Innovated Joints In the Industry.

S-Series Joint



### METAL JOINTS - SERIES FEATURES

- Newly developed and patented design for Ø28 stainless steel pipes.
- Excellent grip characteristics achieved by introducing series of protruded pyramids in contact with stainless steel pipes.
- When used with coated pipes, grip is enhanced by 30%

### SURFACE TREATMENT & CODE NUMBER

Code	Surface Treatment	Remarks
BK	Black Coating	Non Chrome
WZ	Zinc Plating (White)	Cro3
Ni	Nickel Plating	Non Chrome
PI	Powder Coating (Ivory)	Non Chrome

# METAL JOINTS FOR Ø28 (S-SERIES)

COLOR: ● BK ○ WZ ● NI ○ PI

Unit : mm

METAL JOINTS

**G-1S**

- Weight : 0.068kg
- Q'ty/Box : 240pcs

**G-1BS**

- Weight : 0.061kg
- Q'ty/Box : 240pcs

**G-2S**

- Weight : 0.095kg
- Q'ty/Box : 150pcs

**G-3S**

- Weight : 0.120kg
- Q'ty/Box : 70pcs

**G-4S**

- Weight : 0.105kg
- Q'ty/Box : 180pcs

**G-6S**

- Weight : 0.048kg
- Q'ty/Box : 180pcs

**G-6BS**

- Weight : 0.042kg
- Q'ty/Box : 240pcs

**G-6B-33**

- Weight : 0.046kg
- Q'ty/Box : 180pcs

**G-7AS**

- Weight : 0.044kg
- Q'ty/Box : 300pcs

**G-7BS**

- Weight : 0.052kg
- Q'ty/Box : 300pcs

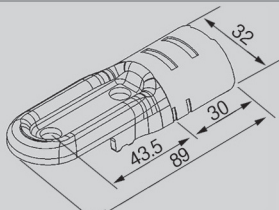
# METAL JOINTS FOR Ø28 (S-SERIES)

COLOR: ● BK ○ WZ ● NI ○ PI

Unit : mm

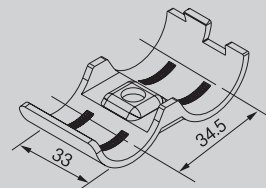
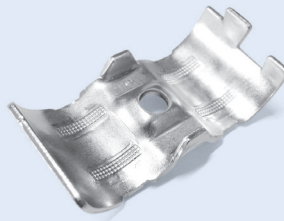
**G-7CS**

Utility Model Patent



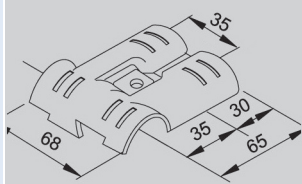
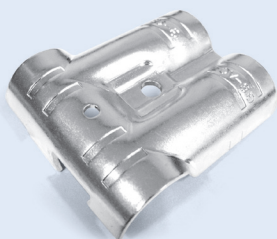
- Weight : 0.062kg
- Q'ty/Box : 210pcs

**G-8S**



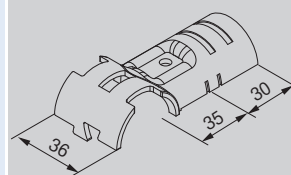
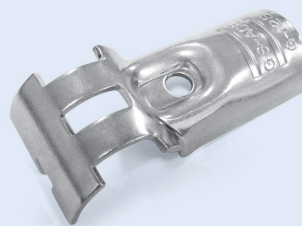
- Weight : 0.049kg
- Q'ty/Box : 300pcs

**G-9S**



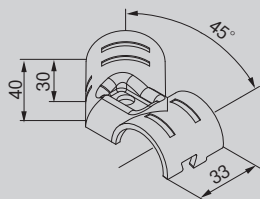
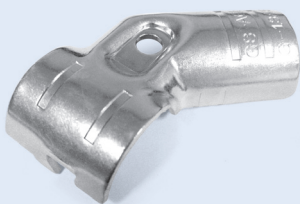
- Weight : 0.120kg
- Q'ty/Box : 100pcs

**G-12S**



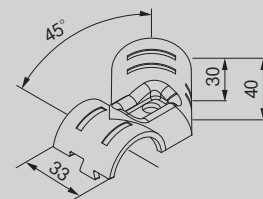
- Weight : 0.060kg
- Q'ty/Box : 210pcs

**G-13AS**



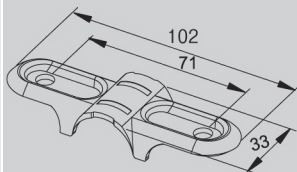
- Weight : 0.063kg
- Q'ty/Box : 160pcs

**G-13BS**



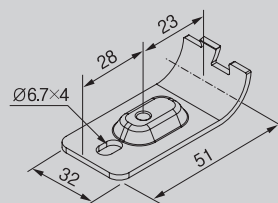
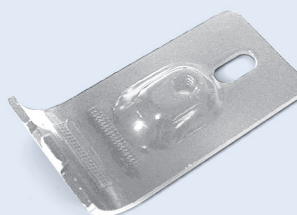
- Weight : 0.062kg
- Q'ty/Box : 160pcs

**G-14S**



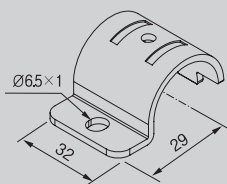
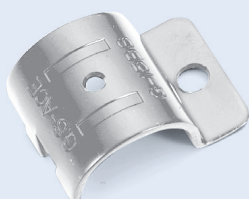
- Weight : 0.052kg
- Q'ty/Box : 270pcs

**G-15AS**



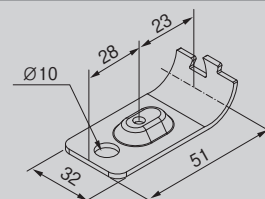
- Weight : 0.040kg
- Q'ty/Box : 480pcs

**G-15BS**



- Weight : 0.037kg
- Q'ty/Box : 480pcs

**G-15AH**

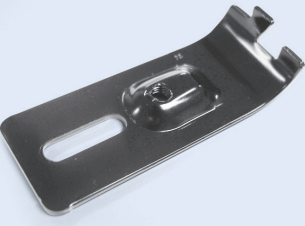
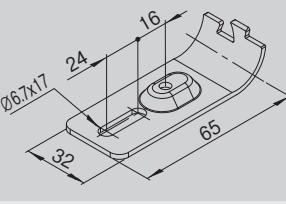
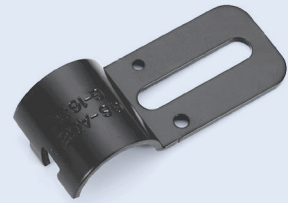
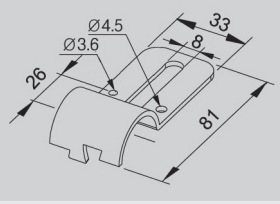
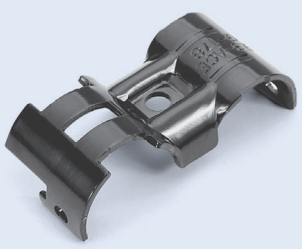
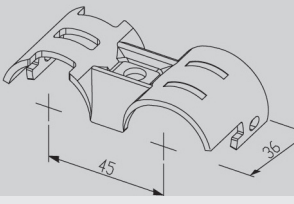

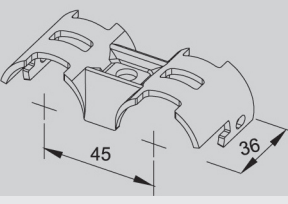

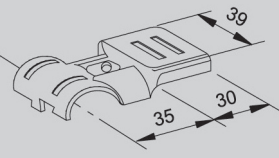

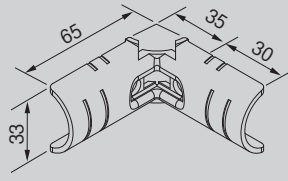
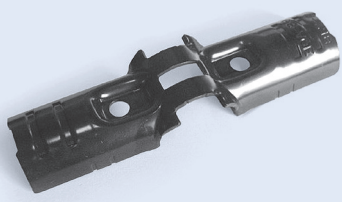
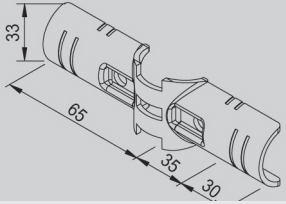
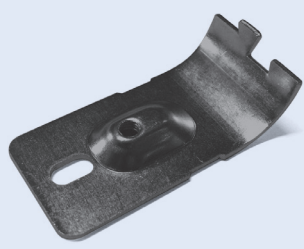
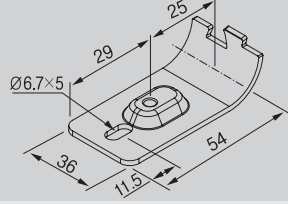
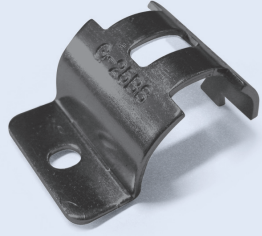
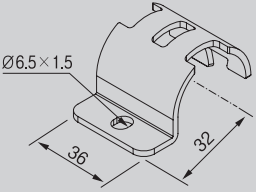

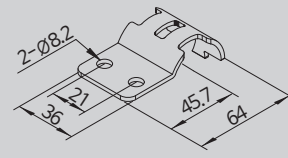


- Weight : 0.046kg
- Q'ty/Box : 300pcs

# METAL JOINTS FOR Ø28 (S-SERIES)

COLOR: ● BK ○ WZ ● NI ○ PI

Unit : mm

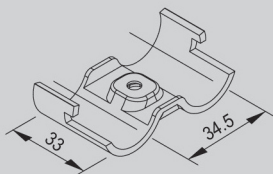
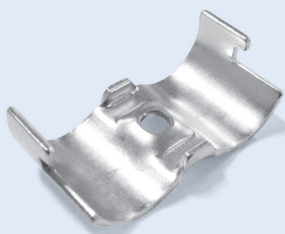
<p><b>G-15D</b></p> 	 <ul style="list-style-type: none"> <li>• Weight : 0.048kg</li> <li>• Q'ty/Box : 300pcs</li> </ul>	<p><b>G-16S</b></p> 	 <ul style="list-style-type: none"> <li>• Weight : 0.049kg</li> <li>• Q'ty/Box : 300pcs</li> </ul>
<p><b>G-17S</b></p> 	 <ul style="list-style-type: none"> <li>• Weight : 0.057kg</li> <li>• Q'ty/Box : 200pcs</li> </ul>	<p><b>G-18S</b></p> 	 <ul style="list-style-type: none"> <li>• Weight : 0.057kg</li> <li>• Q'ty/Box : 180pcs</li> </ul>
<p><b>G-20S</b></p> 	 <ul style="list-style-type: none"> <li>• Weight : 0.064kg</li> <li>• Q'ty/Box : 200pcs</li> </ul>	<p><b>G-22S</b></p> 	 <ul style="list-style-type: none"> <li>• Weight : 0.085kg</li> <li>• Q'ty/Box : 150pcs</li> </ul>
<p><b>G-24S</b></p> 	 <ul style="list-style-type: none"> <li>• Weight : 0.092kg</li> <li>• Q'ty/Box : 150pcs</li> </ul>	<p><b>G-25AS</b></p> 	 <ul style="list-style-type: none"> <li>• Weight : 0.050kg</li> <li>• Q'ty/Box : 360pcs</li> </ul>
<p><b>G-25BS</b></p> 	 <ul style="list-style-type: none"> <li>• Weight : 0.043kg</li> <li>• Q'ty/Box : 360pcs</li> </ul>	<p><b>G-25C</b></p> 	 <ul style="list-style-type: none"> <li>• Weight : 0.042kg</li> <li>• Q'ty/Box : 300pcs</li> </ul>

# METAL JOINTS FOR Ø28 (S-SERIES)

COLOR: ●BK ○WZ ●NI ○PI

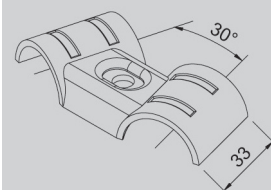
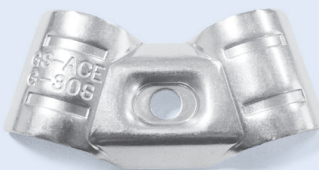
Unit : mm

G-28



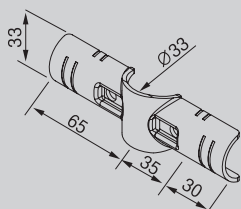
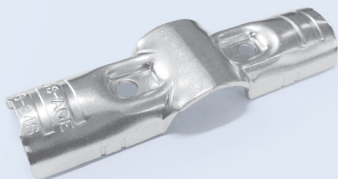
- Weight : 0.050kg
- Q'ty/Box : 240pcs

G-30S



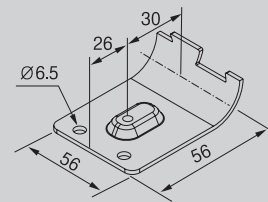
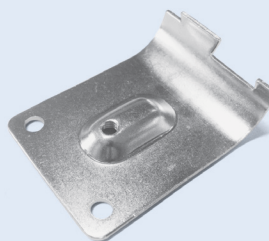
- Weight : 0.060kg
- Q'ty/Box : 240pcs

G-34S



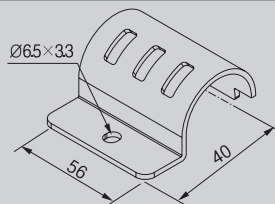
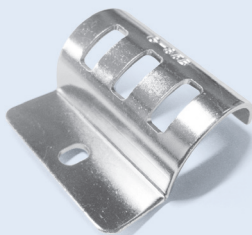
- Weight : 0.105kg
- Q'ty/Box : 180pcs

G-35AS



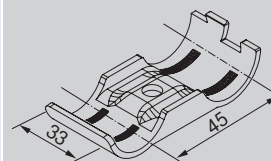
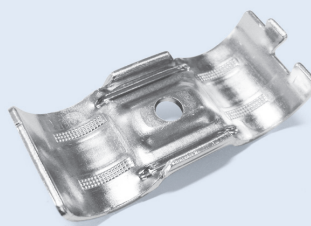
- Weight : 0.080kg
- Q'ty/Box : 240pcs

G-35BS



- Weight : 0.075kg
- Q'ty/Box : 240pcs

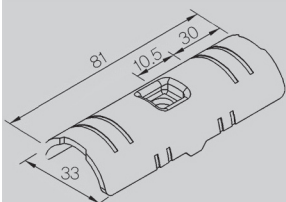
G-38S



- Weight : 0.057kg
- Q'ty/Box : 300pcs

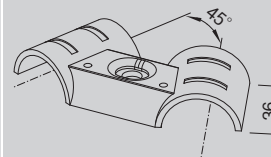
G-44

Design Patent



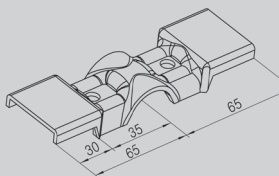
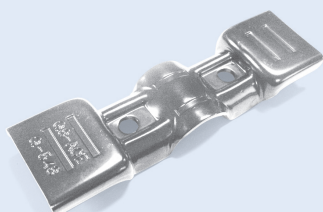
- Weight : 0.070kg
- Q'ty/Box : 270pcs

G-45S



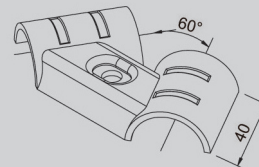
- Weight : 0.071kg
- Q'ty/Box : 200pcs

G-54S



- Weight : 0.099kg
- Q'ty/Box : 120pcs

G-60S




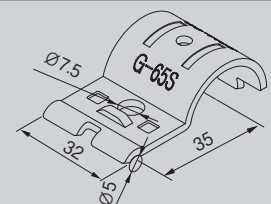
- Weight : 0.076kg
- Q'ty/Box : 200pcs

# METAL JOINTS FOR Ø28 (S-SERIES)

COLOR: ● BK ○ WZ ● NI ○ PI


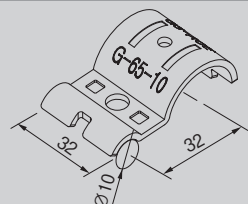
Unit : mm

**G-65S** For Ø5


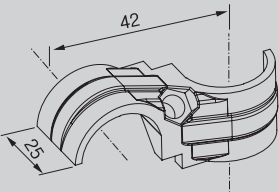
- Weight : 0.038kg
- Q'ty/Box : 480pcs

**G-65S-10** For Ø10

- Weight : 0.0380kg
- Q'ty/Box : 480pcs

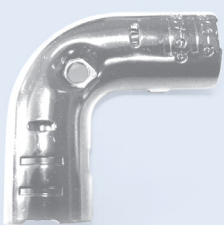
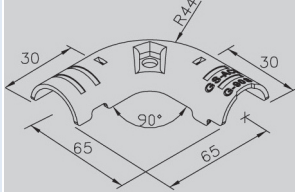
**G-66** Material : Aluminium

- Weight : 0.042kg
- Q'ty/Box : 160pcs

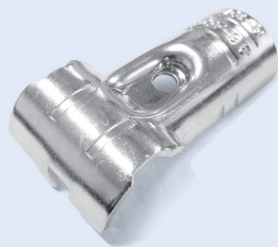
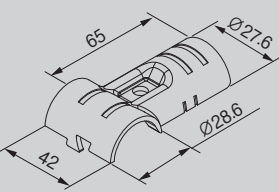
**G-90S**

Utility Model Patent

- Weight : 0.096kg
- Q'ty/Box : 100pcs


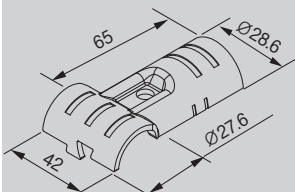
**G-101**

- Weight : 0.074kg
- Q'ty/Box : 180pcs

\* For Ø28.6


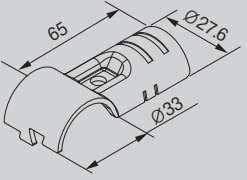
**G-102**

- Weight : 0.074kg
- Q'ty/Box : 200pcs

\* For Ø28.6


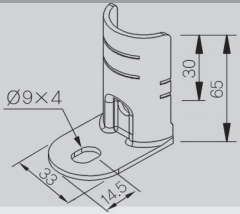
**G-103**

- Weight : 0.07kg
- Q'ty/Box : 240pcs


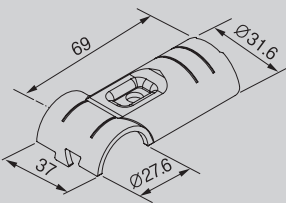
\* For connection at the top of joint

**G-104**

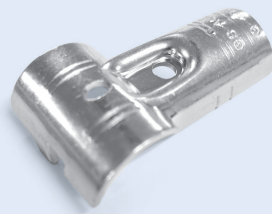
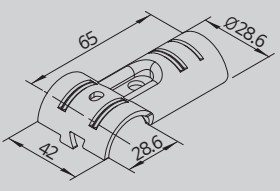
- Weight : 0.070kg
- Q'ty/Box : 240pcs

**G-105**

- Weight : 0.080kg
- Q'ty/Box : 200pcs

**G-106**

- Weight : 0.078kg
- Q'ty/Box : 200pcs

# METAL JOINTS FOR Ø28 (S-SERIES)


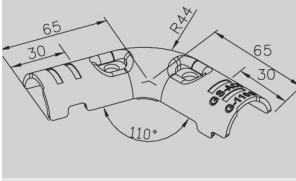
COLOR: ● BK ○ WZ ● NI ○ PI

Unit : mm

METAL JOINTS


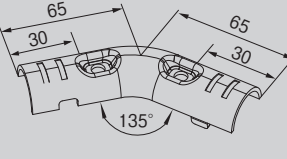
**G-110S**

Design Patent

- Weight : 0.103kg
- Q'ty/Box : 100pcs


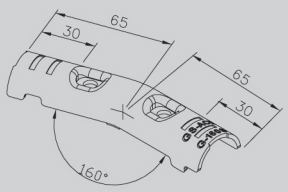
**G-135S**

- Weight : 0.102kg
- Q'ty/Box : 100pcs

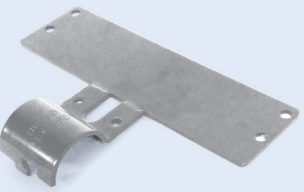
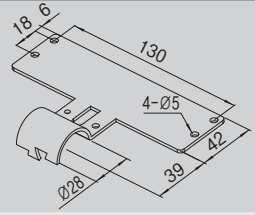
**G-160S**

Design Patent

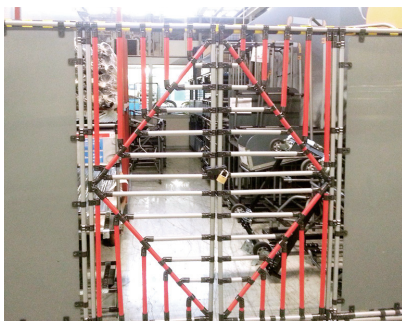



- Weight : 0.105kg
- Q'ty/Box : 100pcs

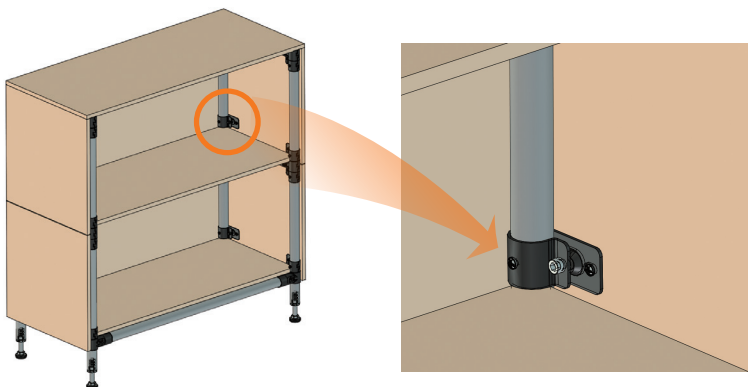
**G-16WP**

- Weight : 0.128kg
- Q'ty/Box : 50pcs



Example for GA-15S





# METAL JOINTS FOR Ø28 (S-SERIES)

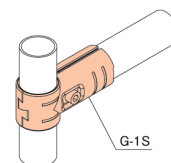
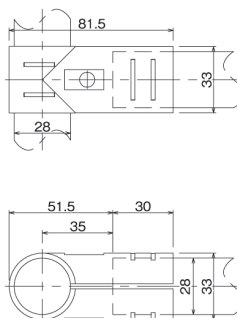
COLOR: ● BK ○ WZ ● NI ○ PI

Unit : mm



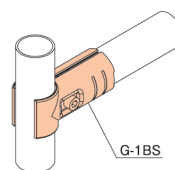
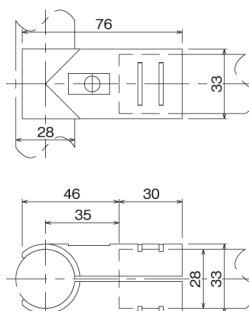
GA-1S

Material	Metal
G-1S	2pcs
M0625/TN06	1set



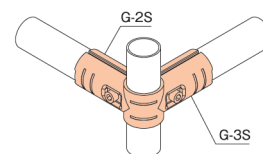
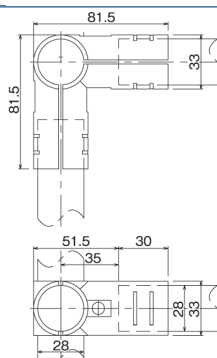
GA-1BS

Material	Metal
G-1BS	2pcs
M0625/TN06	1set



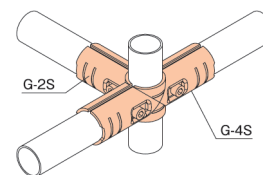
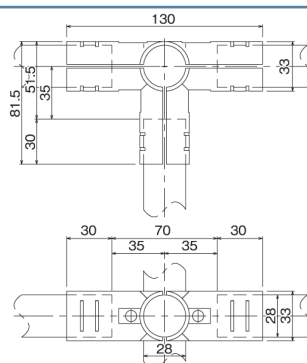
GA-2S

Material	Metal
G-2S	1pcs
G-3S	1pcs
M0625/TN06	2set



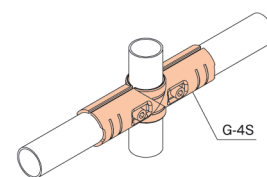
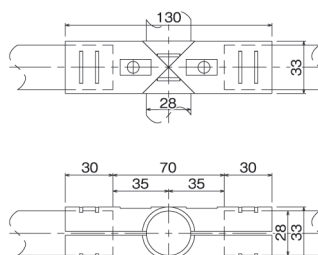
GA-3S

Material	Metal
G-2S	2pcs
G-4S	1pcs
M0625/TN06	3set



GA-4S

Material	Metal
G-4S	2pcs
M0625/TN06	2set



# METAL JOINTS FOR Ø28 (S-SERIES)

COLOR: ● BK ○ WZ ● NI ○ PI

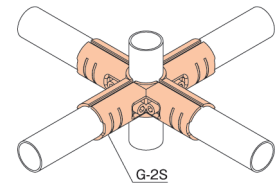
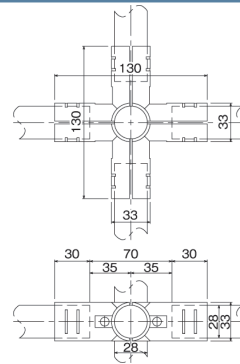
Unit : mm

METAL JOINTS

## GA-5S



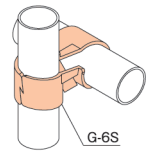
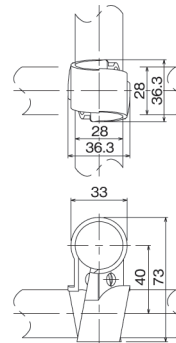
Material	Metal
G-2S	4pcs
M0625/TN06	4set



## GA-6S



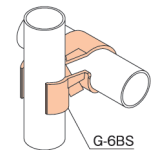
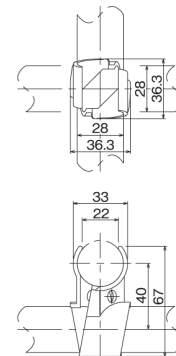
Material	Metal
G-6S	2pcs
M0625/TN06	1set



## GA-6BS



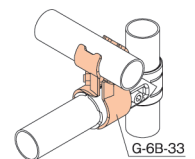
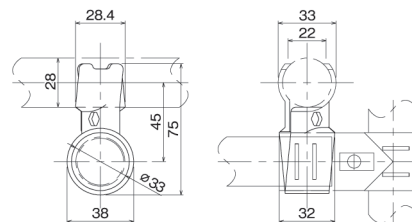
Material	Metal
G-6BS	2pcs
M0625/TN06	1set



## GA-6B-33



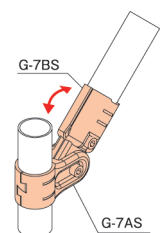
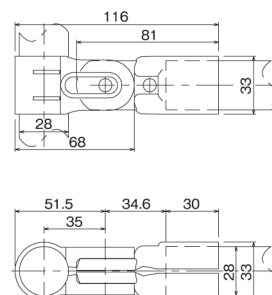
Material	Metal
G-6B-33	2pcs
M0625/TN06	1set



## GA-7S



Material	Metal
G-7AS	2pcs
G-7BS	2pcs
M0625/TN06	2set



# METAL JOINTS FOR Ø28 (S-SERIES)

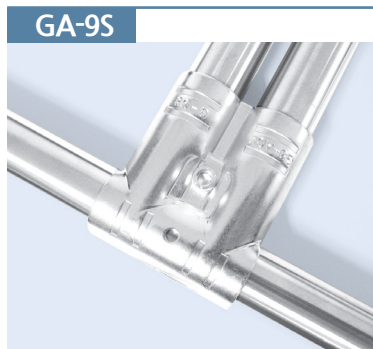
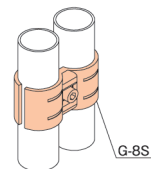
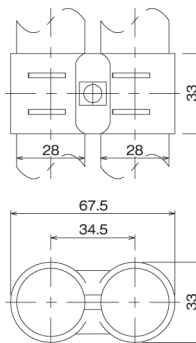
COLOR: ● BK ○ WZ ● NI ○ PI

Unit : mm



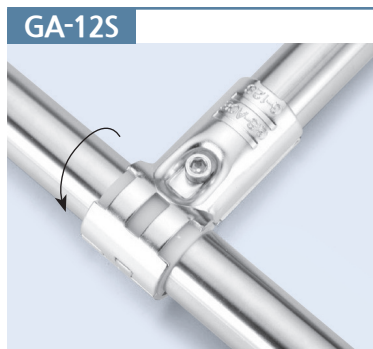
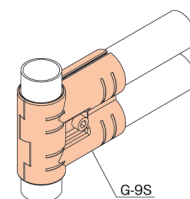
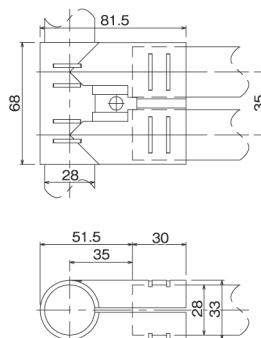
GA-8S

Material	Metal
G-8S	2pcs
M0625/TN06	1set



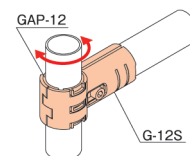
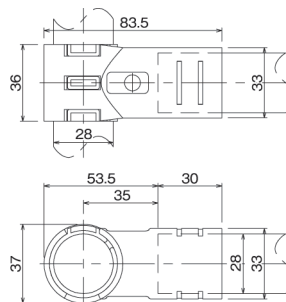
GA-9S

Material	Metal
G-9S	2pcs
M0625/TN06	1set



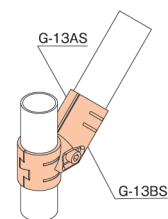
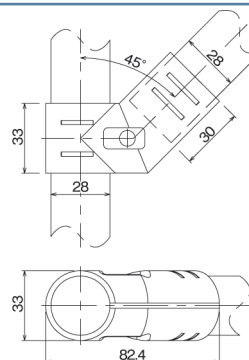
GA-12S

Material	Metal
G-12S	2pcs
GAP-12	1pcs
M0625/TN06	1set



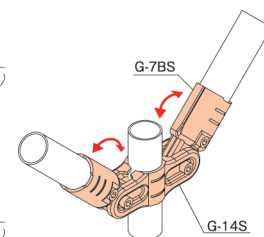
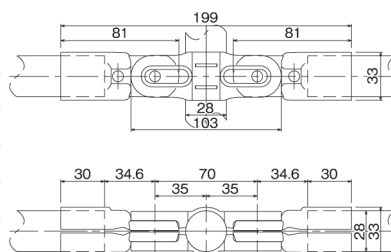
GA-13S

Material	Metal
G-13AS	1pcs
G-13BS	1pcs
M0625/TN06	1set



GA-14S

Material	Metal
G-14S	2pcs
G-7BS	4pcs
M0625/TN06	4set



# METAL JOINTS FOR Ø28 (S-SERIES)

COLOR: ●BK ○WZ ●NI ○PI

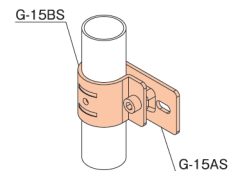
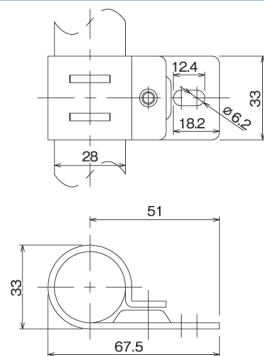
Unit : mm

METAL JOINTS

## GA-15S



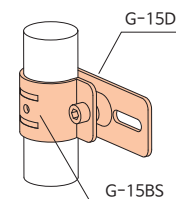
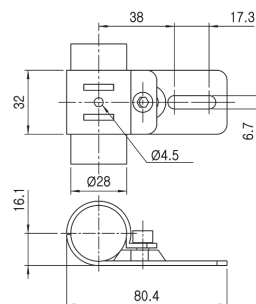
Material	Metal
G-15AS	1pcs
G-15BS	1pcs
M0610	1pcs



## GA-15D



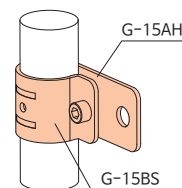
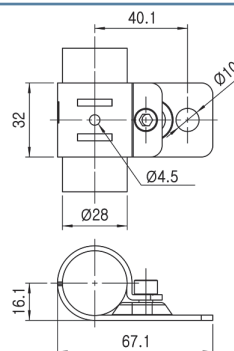
Material	Metal
G-15D	1pcs
G-15BS	1pcs
M0610	1pcs



## GA-15H



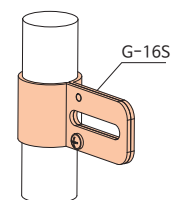
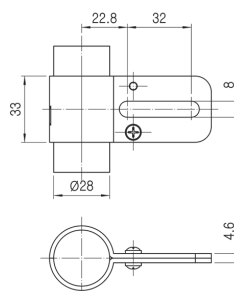
Material	Metal
G-15AH	1pcs
G-15BS	1pcs
M0610	1pcs



## GA-16S



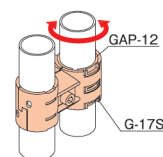
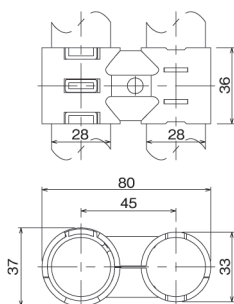
Material	Metal
G-16S	2pcs
PW8x25	2pcs



## GA-17S



Material	Metal
G-17S	2pcs
GAP-12	1pcs
M0625/TN06	1set



# METAL JOINTS FOR Ø28 (S-SERIES)

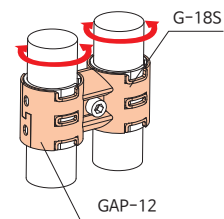
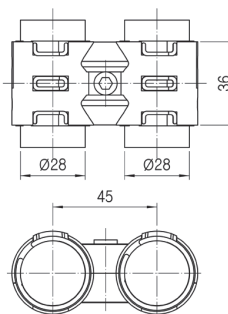
COLOR: ● BK ○ WZ ● NI ○ PI

Unit : mm

## GA-18S



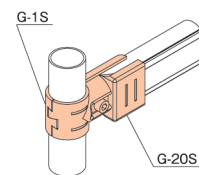
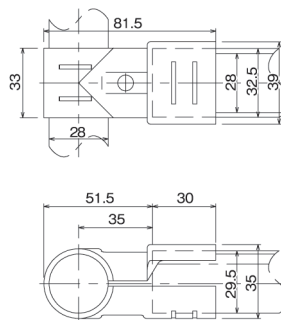
Material	Metal
G-18S	2pcs
GAP-12	2pcs
M0625/TN06	1set



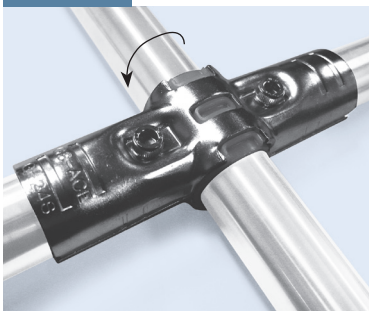
## GA-20S



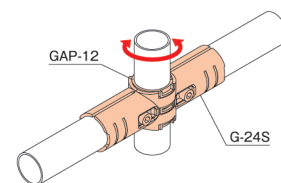
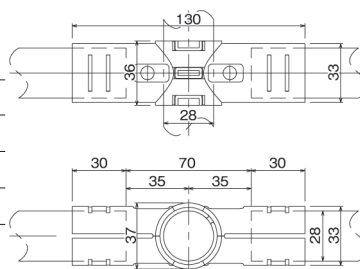
Material	Metal
G-20S	1pcs
G-1S	1pcs
M0625/TN06	1set



## GA-24S



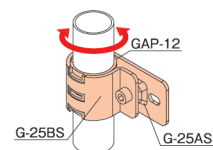
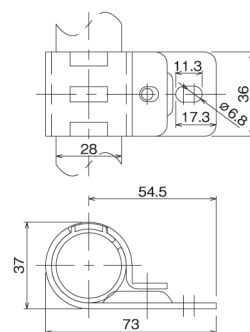
Material	Metal
G-24S	2pcs
GAP-12	1pcs
M0625/TN06	2 set



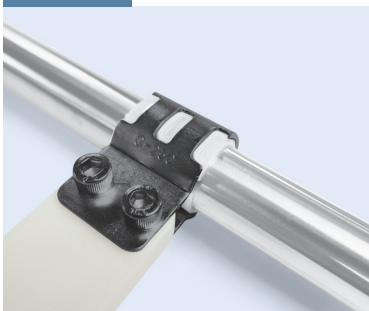
## GA-25S



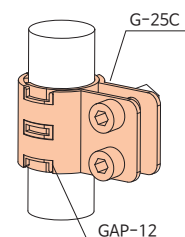
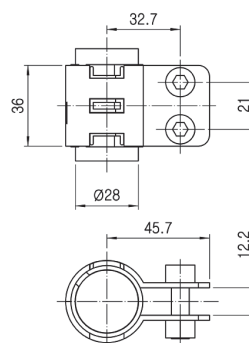
Material	Metal
G-25AS	1pcs
G-25BS	1pcs
GAP-12	1pcs
M0610	1pcs



## GA-25C



Material	Metal
G-25C	2pcs
GAP-12	1pcs
M0825/TN08	2set



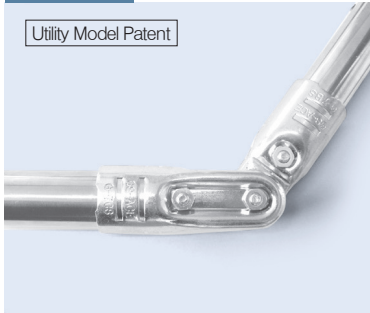
# METAL JOINTS FOR Ø28 (S-SERIES)

COLOR: ● BK ○ WZ ● NI ○ PI

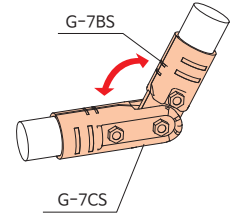
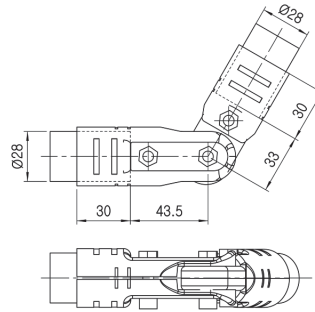
Unit : mm

METAL JOINTS

## GA-27S



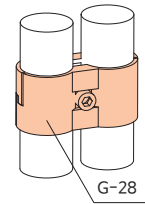
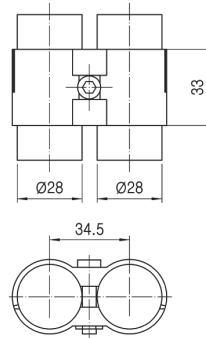
Material	Metal
G-7CS	2pcs
G-7BS	2pcs
M0625/TN06	3set



## GA-28



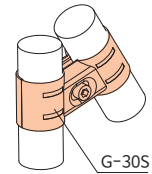
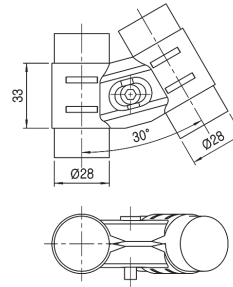
Material	Metal
G-28	2pcs
M0625/TN06	1set



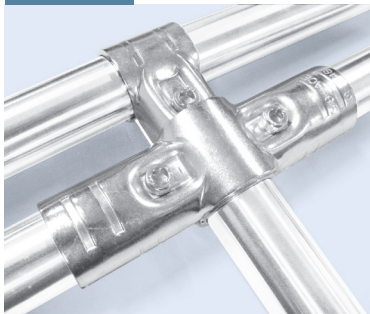
## GA-30S



Material	Metal
G-30S	2pcs
M0625/TN06	1set

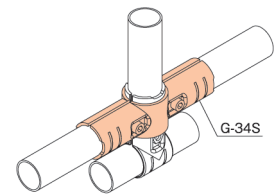
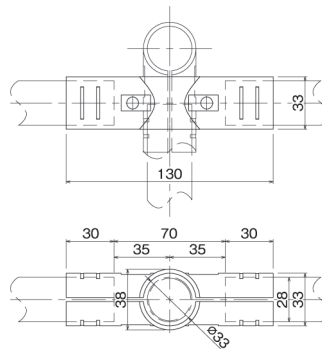


## GA-34S

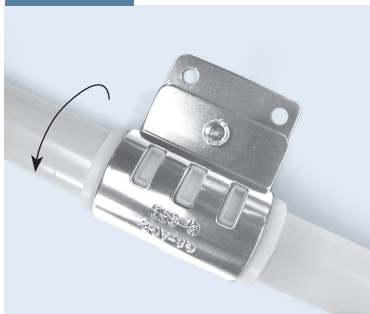


Material	Metal
G-34S	2pcs
M0625/TN06	2set

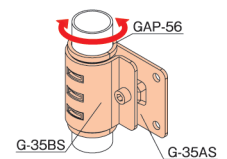
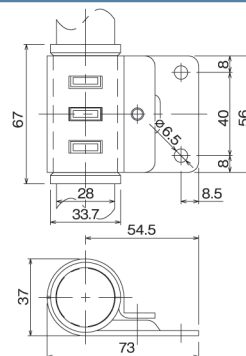
Joint for assembling with upper Joint



## GA-35S



Material	Metal
G-35AS	1pcs
G-35BS	1pcs
GAP-56	1pcs
M0610	1pcs



# METAL JOINTS FOR Ø28 (S-SERIES)

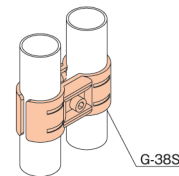
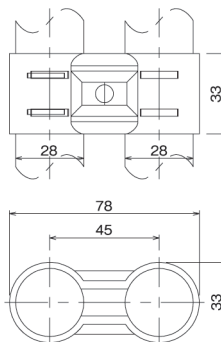
COLOR: ● BK ○ WZ ● NI ○ PI

Unit : mm

## GA-38S



Material	Metal
G-38S	2pcs
M0625/TN06	1set

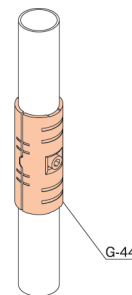
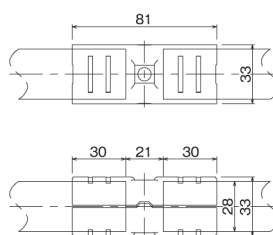


## GA-44

Design Patent



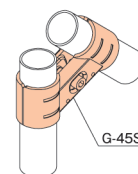
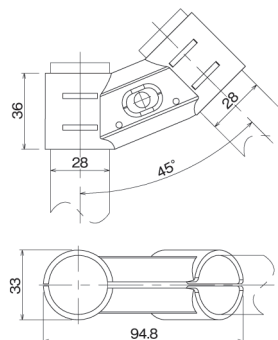
Material	Metal
G-44	2pcs
M0625/TN06	1set



## GA-45S



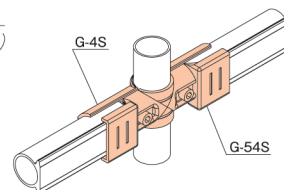
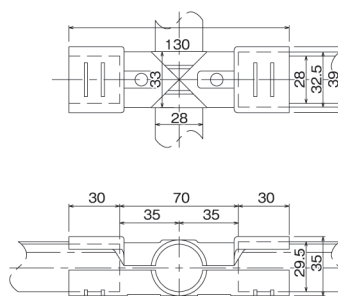
Material	Metal
G-45S	2pcs
M0625/TN06	1set



## GA-54S



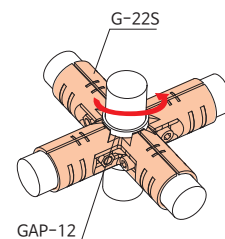
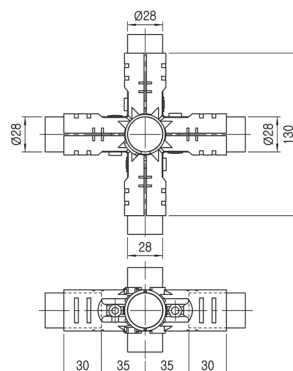
Material	Metal
G-54S	1pcs
G-4S	1pcs
M0625/TN06	2set



## GA-55S



Material	Metal
G-22S	4pcs
GAP-12	1pcs
M0625/TN06	4set



# METAL JOINTS FOR Ø28 (S-SERIES)

COLOR: ● BK ○ WZ ● NI ○ PI

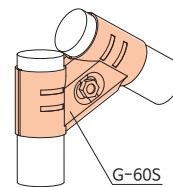
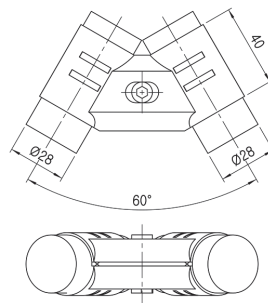
Unit : mm

METAL JOINTS

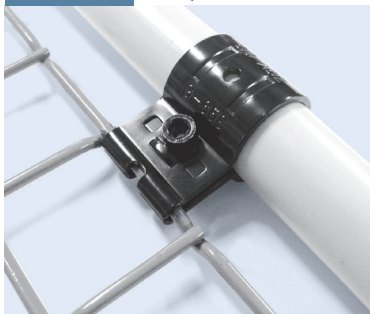
## GA-60S



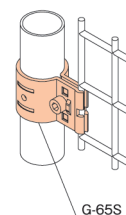
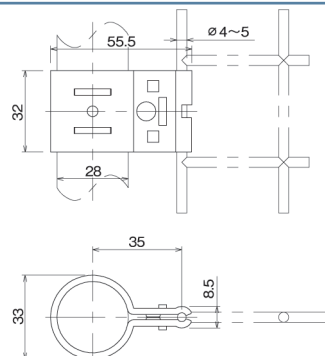
Material	Metal
G-60S	2pcs
M0625/TN06	1set



## GA-65S For Ø5



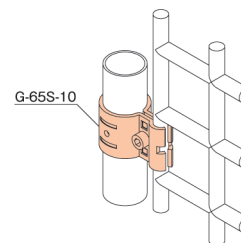
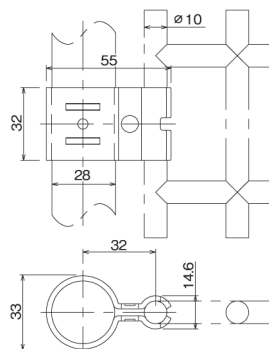
Material	Metal
G-65S	2pcs
M0625/TN06	1set



## GA-65S-10 For Ø10



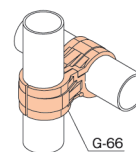
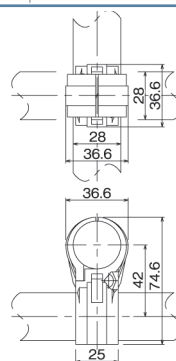
Material	Metal
G-65S-10	2pcs
M0625/TN06	1set



## GA-66 Material : Aluminium



Material	Aluminum
G-66	2pcs
M0625/TN06	1set

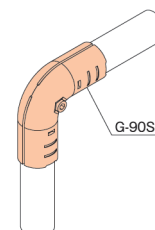
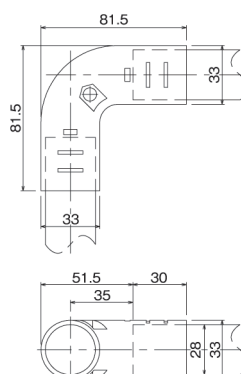


## GA-90S

Utility Model Patent



Material	Metal
G-90S	2pcs
M0625/TN06	1set





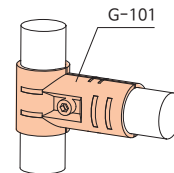
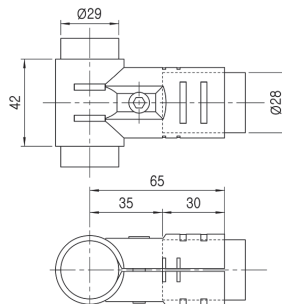
# METAL JOINTS FOR Ø28 (S-SERIES)

COLOR: ● BK ○ WZ ● NI ○ PI

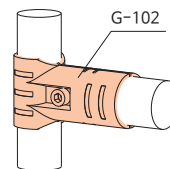
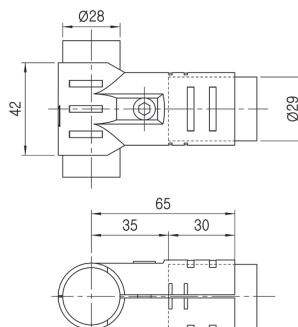
Unit : mm



Material	Metal
G-101	2pcs
M0625/TN06	1set

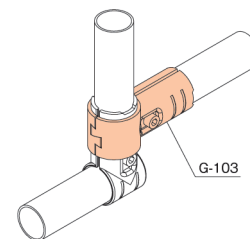
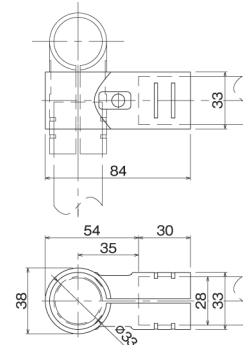


Material	Metal
G-102	2pcs
M0625/TN06	1set

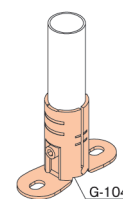
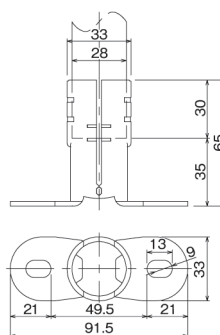


Material	Metal
G-103	2pcs
M0625/TN06	1set

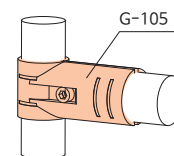
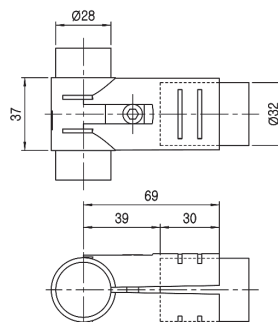
Joint for assembling with upper Joint



Material	Metal
G-104	2pcs
M0625/TN06	1set



Material	Metal
G-105	2pcs
M0625/TN06	1set



# METAL JOINTS FOR Ø28 (S-SERIES)

COLOR: ● BK ○ WZ ● NI ○ PI

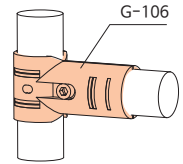
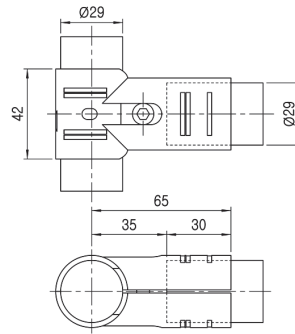
Unit : mm

METAL JOINTS

## GA-106

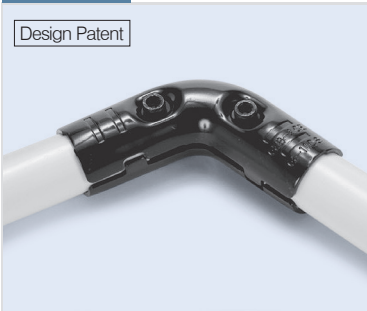


Material	Metal
G-106	2pcs
M0625/TN06	1set

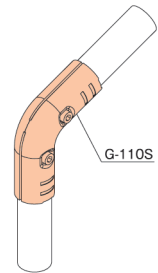
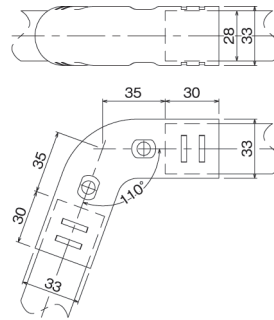


## GA-110S

Design Patent



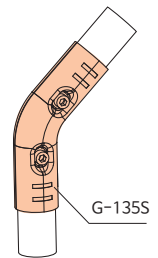
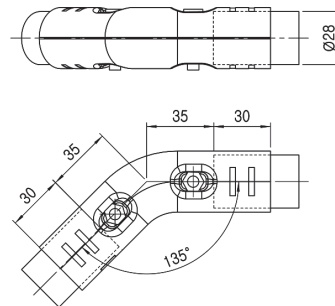
Material	Metal
G-110S	2pcs
M0625/TN06	2set



## GA-135S



Material	Metal
G-135S	2pcs
M0625/TN06	2set

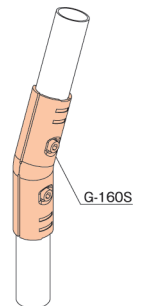
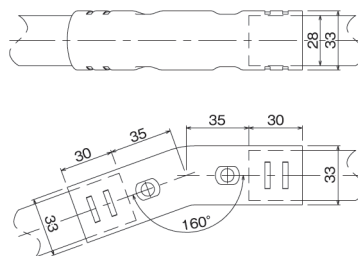


## GA-160S

Design Patent



Material	Metal
G-160S	2pcs
M0625/TN06	2 set

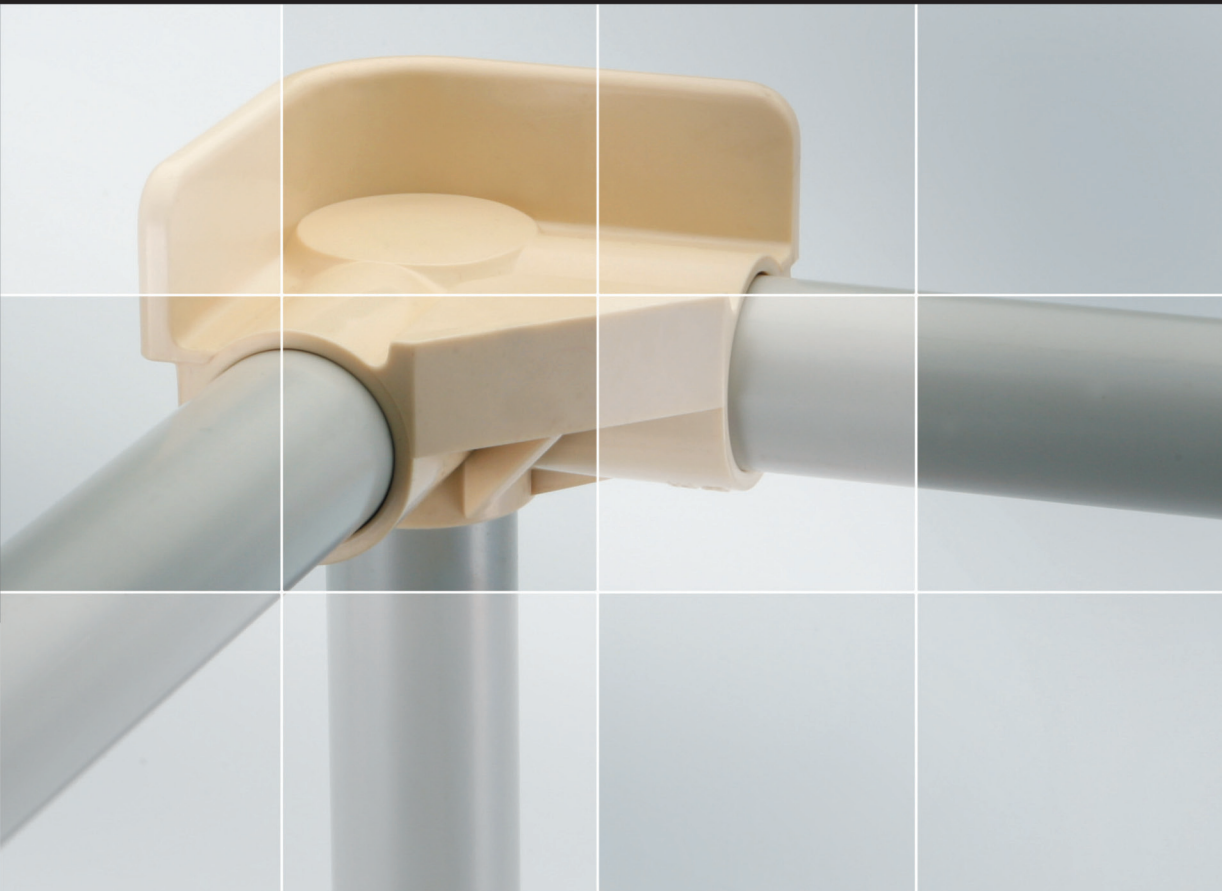




G.S.ACE INDUSTRY CO., LTD.

# PLASTIC JOINTS

Comprehensive Production from part  
manufacturing to assembly



## ..... COLORS

Ivory  
Gray  
Green  
Esd

# PLASTIC JOINTS

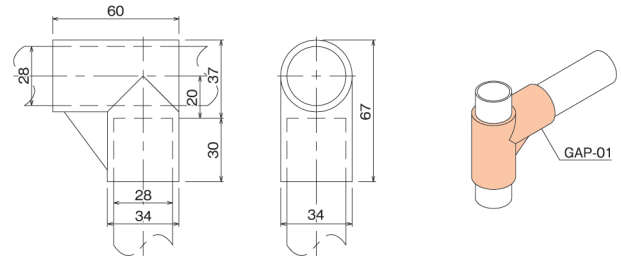
COLOR : Ivory  Gray  Green  Esd 

Unit : mm

## GAP-1 Plastic Joint



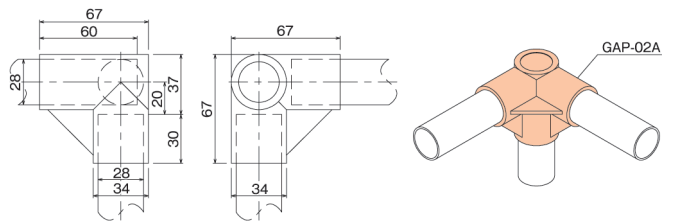
Material	ASA
Weight	0.030kg
Q'ty/Box	150pcs



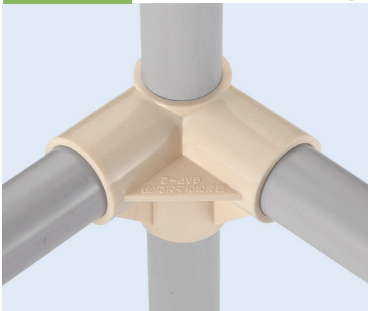
## GAP-2A Plastic Joint



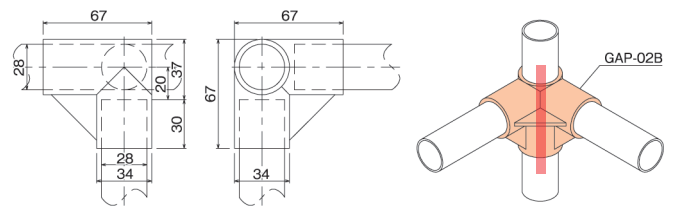
Material	ASA
Weight	0.045kg
Q'ty/Box	75pcs



## GAP-2B Plastic Joint (Through part)



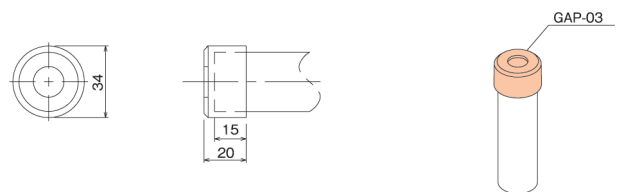
Material	ASA
Weight	0.048kg
Q'ty/Box	75pcs



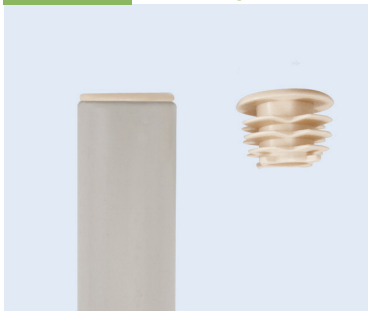
## GAP-3 Outer Cap



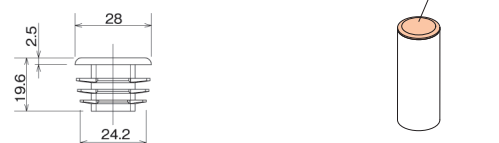
Material	ASA
Weight	0.009kg
Q'ty/Box	900pcs



## GAP-4P Inner Cap



Material	LDPE
Weight	0.003kg
Q'ty/Box	1500pcs



# PLASTIC JOINTS

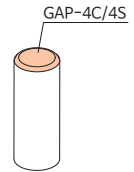
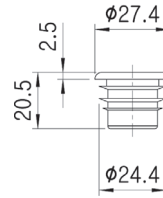
COLOR : Ivory  Gray  Green  Esd 

Unit : mm

## GAP-4C/4S Inner Cap



Material	LDPE
Weight	0.003kg
Q'ty/Box	1500pcs

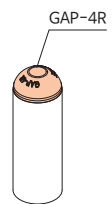
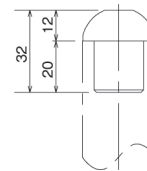


## GAP-4R Rubber Cap



Material	TPU
Weight	0.009kg
Q'ty/Box	900pcs

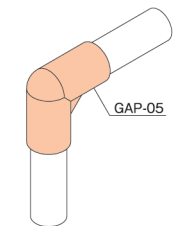
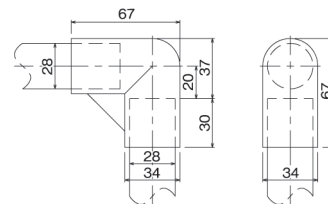
\* Color : BK



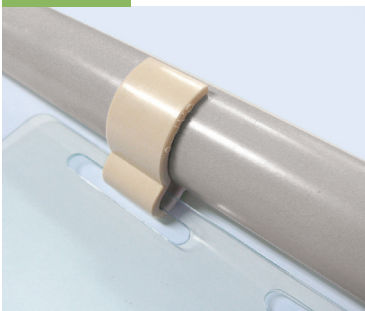
## GAP-5 Plastic Joint Corner



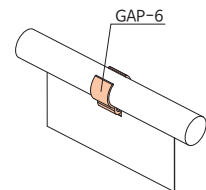
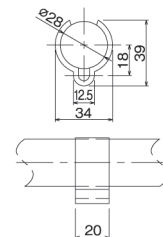
Material	ASA
Weight	0.032kg
Q'ty/Box	150pcs



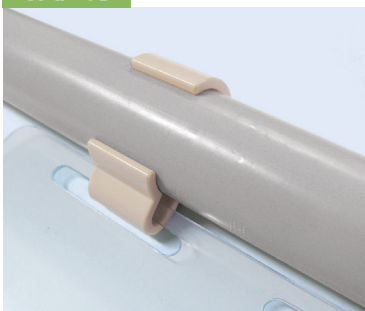
## GAP-6 Label Holder



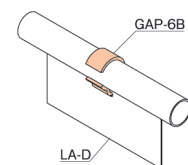
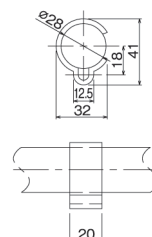
Material	ABS
Weight	0.005kg
Q'ty/Box	1200pcs



## GAP-6B Label Holder



Material	ABS
Weight	0.005kg
Q'ty/Box	1200pcs



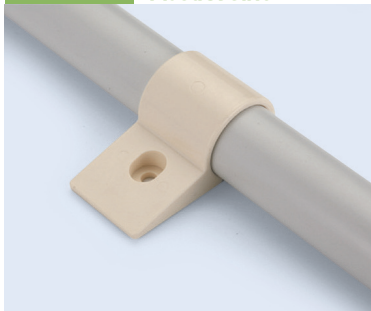
# PLASTIC JOINTS

COLOR : Ivory  Gray  Green  Esd 

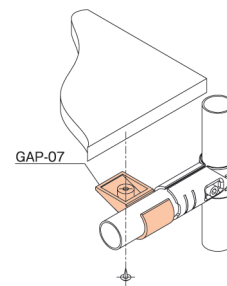
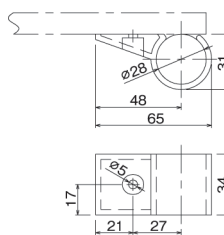
Unit : mm

PLASTIC JOINTS

## GAP-7 Plastic Joint



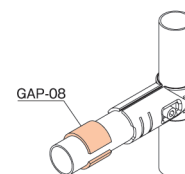
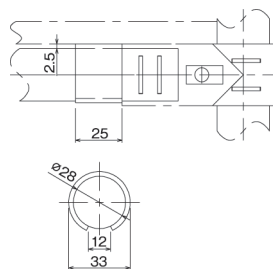
Material	ABS
Weight	0.011kg
Q'ty/Box	450pcs



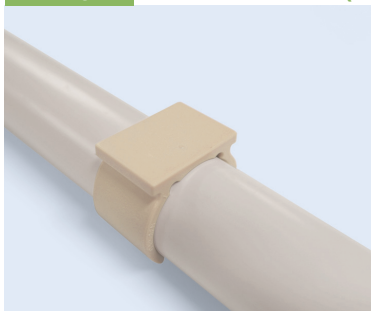
## GAP-8 Horizontal Holder



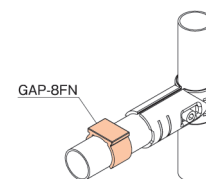
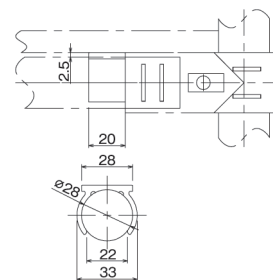
Material	ABS
Weight	0.005kg
Q'ty/Box	1200pcs



## GAP-8FN Horizontal Holder (Flat Type)



Material	ABS
Weight	0.005kg
Q'ty/Box	1200pcs

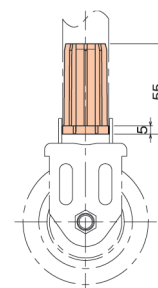
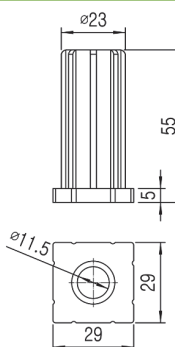


## GAP-9C-07 Grip Bushing (Coating Pipe:Ø28×T0.7)



Material	NYLON66
Weight	0.016kg
Q'ty/Box	450pcs

\* Color : BK

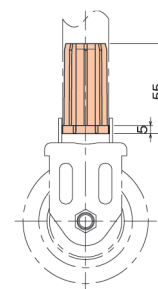
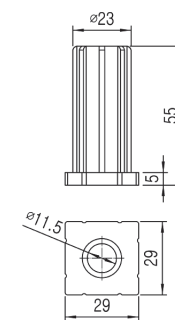


## GAP-9C-09 Grip Bushing (Coating Pipe:Ø28×T0.9)



Material	NYLON66
Weight	0.016kg
Q'ty/Box	450pcs

\* Color : BK



# PLASTIC JOINTS

COLOR : Ivory  Gray  Green  Esd 

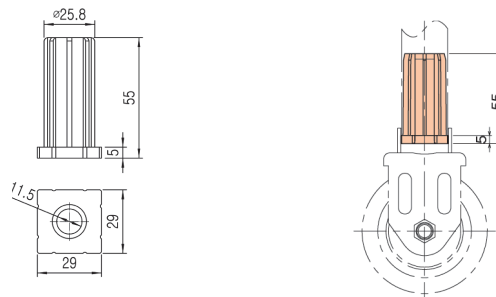
Unit : mm

## GAP-9S-07 Grip Bushing (STS Pipe:Ø28×T0.7)

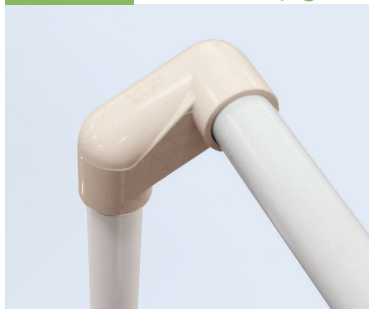


Material	NYLON66
Weight	0.016kg
Q'ty/Box	450pcs

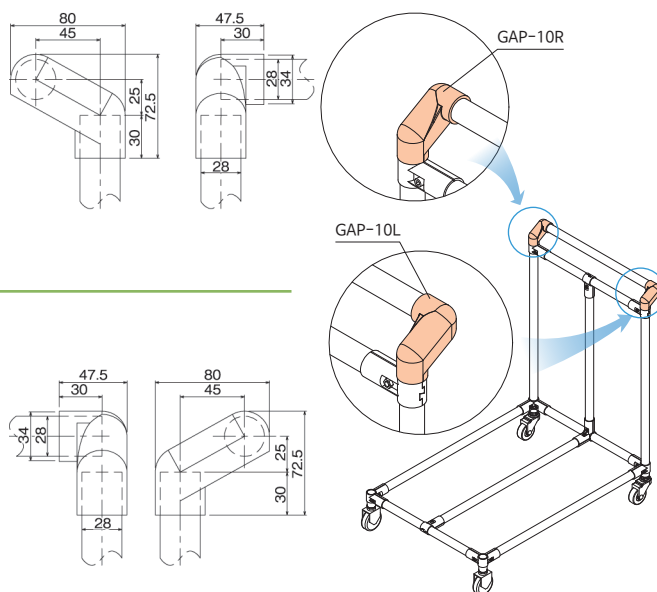
\* Color : BK



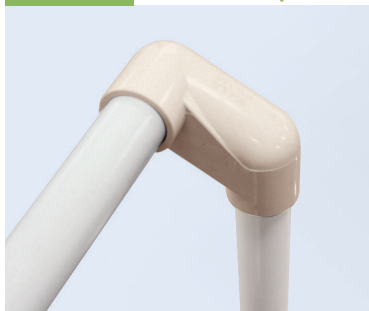
## GAP-10R Plastic Joint (Right side handle)



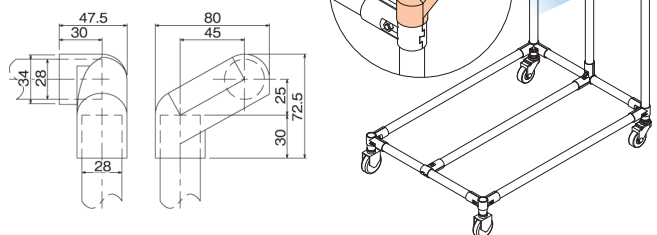
Material	ASA
Weight	0.042kg
Q'ty/Box	120pcs



## GAP-10L Plastic Joint (Left side handle)



Material	ASA
Weight	0.042kg
Q'ty/Box	120pcs

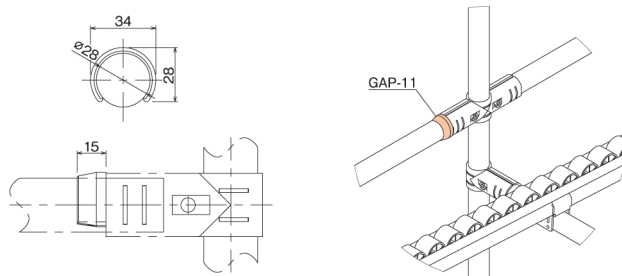


## GAP-11 Taper Edge



Material	ABS
Weight	0.005kg
Q'ty/Box	1200pcs

When moving the box, GAP-11 can prevent from hanging

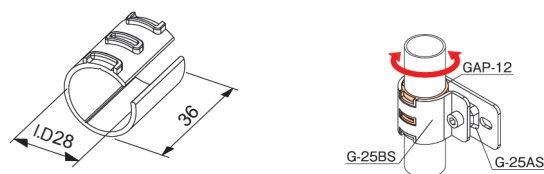


## GAP-12 Sleeve (For GA-12S/17S/18S/24S/25S)



Material	PE
Weight	0.007kg
Q'ty/Box	600pcs

\* Color : White



# PLASTIC JOINTS

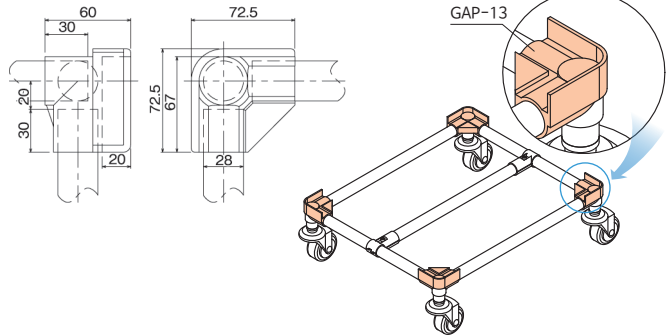
COLOR : Ivory  Gray  Green  Esd 

Unit : mm

## GAP-13 Plastic Joint Corner



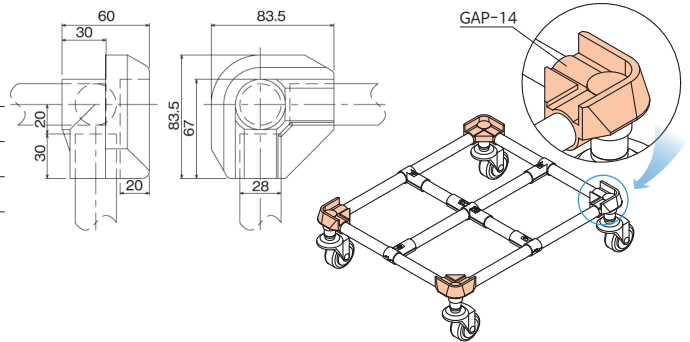
Material	ABS
Weight	0.059kg
Q'ty/Box	75pcs



## GAP-14 Plastic Joint Corner Cushion Type



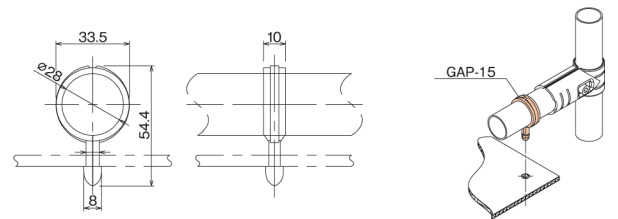
Material	ABS
Weight	0.075kg
Q'ty/Box	75pcs



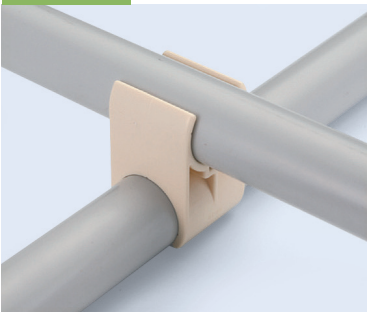
## GAP-15 Sheet Holder



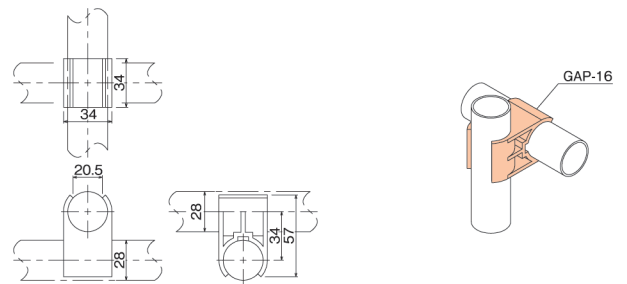
Material	ABS
Weight	0.003kg
Q'ty/Box	1500pcs



## GAP-16 Plastic Joint



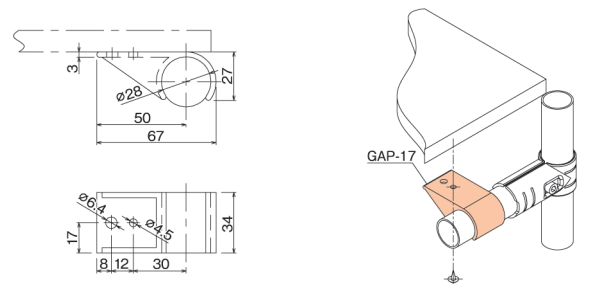
Material	ASA
Weight	0.018kg
Q'ty/Box	300pcs



## GAP-17 Plastic Joint



Material	ABS
Weight	0.014kg
Q'ty/Box	400pcs





# PLASTIC JOINTS

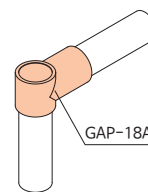
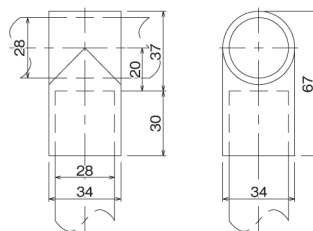
COLOR : Ivory  Gray  Green  Esd 

Unit : mm

## GAP-18A Plastic Joint (Block one side)



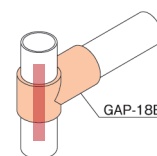
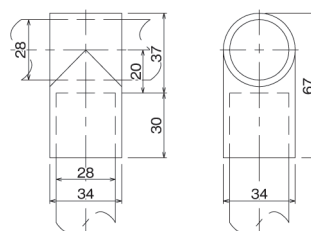
Material	ASA
Weight	0.023kg
Q'ty/Box	240pcs



## GAP-18B Plastic Joint



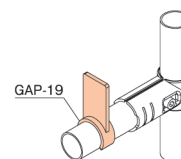
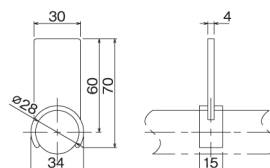
Material	ASA
Weight	0.022kg
Q'ty/Box	240pcs



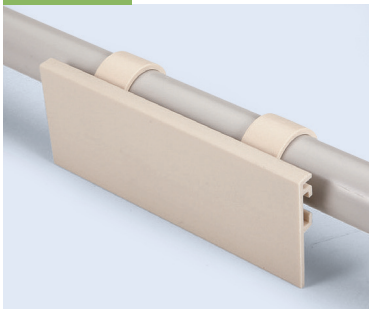
## GAP-19 Plastic Joint



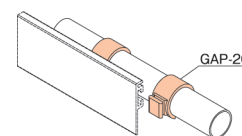
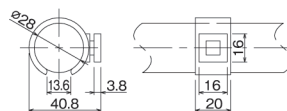
Material	ASA
Weight	0.009kg
Q'ty/Box	750pcs



## GAP-20 Name Plate Holder



Material	ABS
Weight	0.006kg
Q'ty/Box	1200pcs

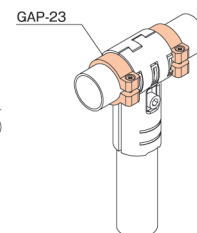
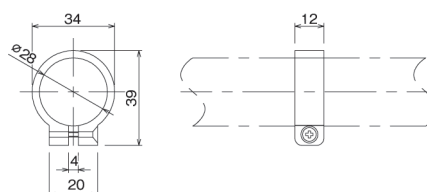


## GAP-23 Plastic Joint



Material	ABS
Weight	0.020kg
Q'ty/Box	1500pcs

Bolt : M3x20  
Nut : M3

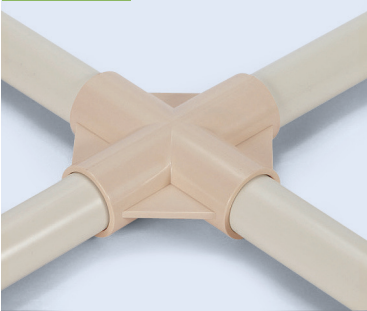


# PLASTIC JOINTS

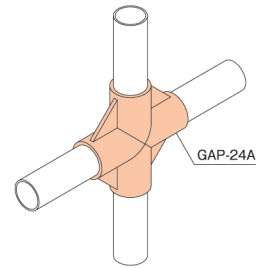
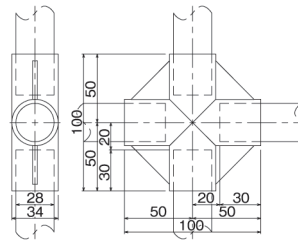
COLOR : Ivory  Gray  Green  Esd 

Unit : mm

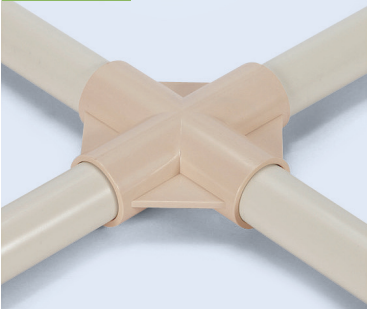
## GAP-24A Plastic Joint



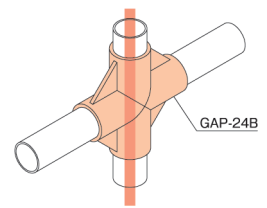
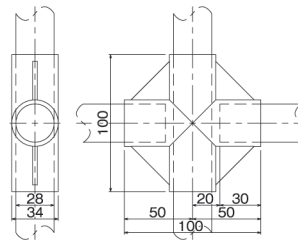
Material	ASA
Weight	0.060kg
Q'ty/Box	75pcs



## GAP-24B Plastic Joint (Through part)



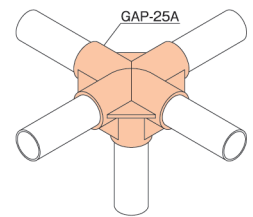
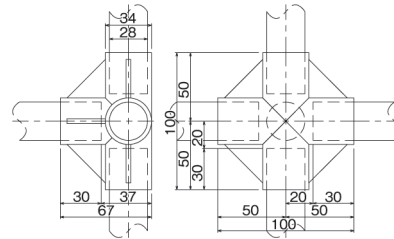
Material	ASA
Weight	0.057kg
Q'ty/Box	75pcs



## GAP-25A Plastic Joint



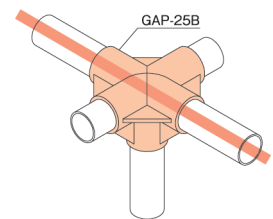
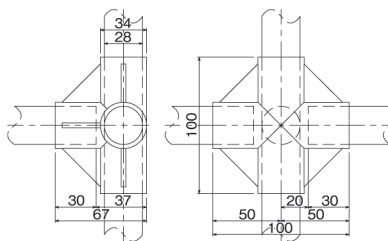
Material	ASA
Weight	0.075kg
Q'ty/Box	45pcs



## GAP-25B Plastic Joint (Through part)



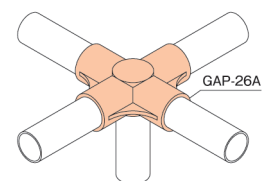
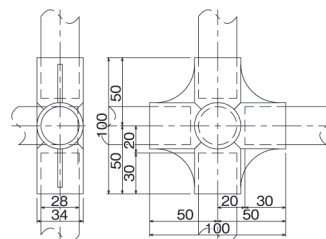
Material	ASA
Weight	0.072kg
Q'ty/Box	45pcs



## GAP-26A Plastic Joint



Material	ASA
Weight	0.055kg
Q'ty/Box	75pcs



# PLASTIC JOINTS

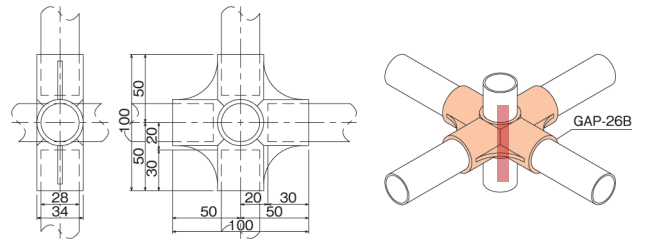
COLOR : Ivory  Gray  Green  Esd 

Unit : mm

## GAP-26B Plastic Joint (Through part)



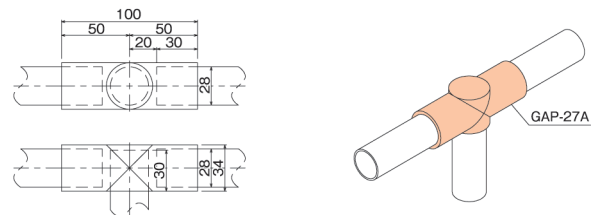
Material	ASA
Weight	0.054kg
Q'ty/Box	75pcs



## GAP-27A Plastic Joint



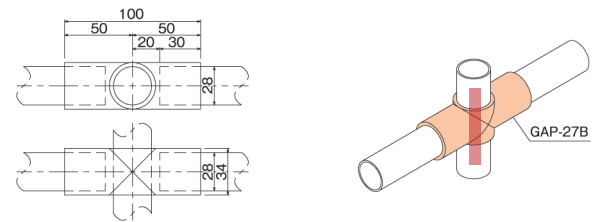
Material	ASA
Weight	0.035kg
Q'ty/Box	150pcs



## GAP-27B Plastic Joint (Through part)



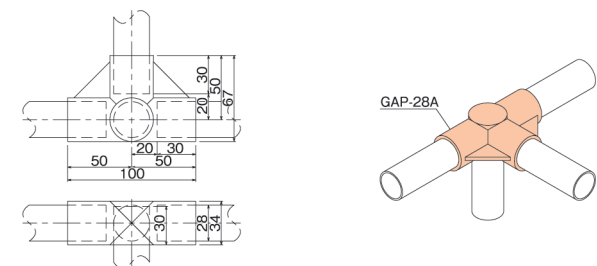
Material	ASA
Weight	0.033kg
Q'ty/Box	150pcs



## GAP-28A Plastic Joint



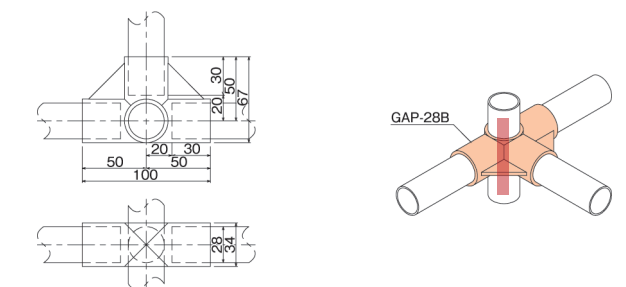
Material	ASA
Weight	0.046kg
Q'ty/Box	90pcs



## GAP-28B Plastic Joint (Through part)



Material	ASA
Weight	0.044kg
Q'ty/Box	90pcs

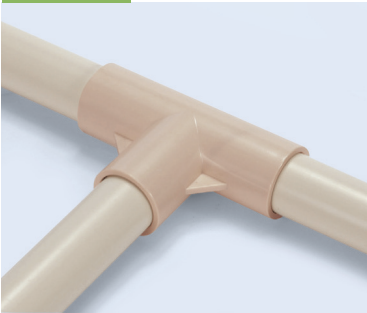


# PLASTIC JOINTS

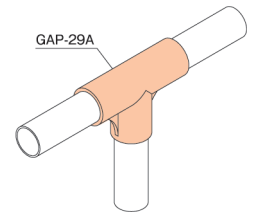
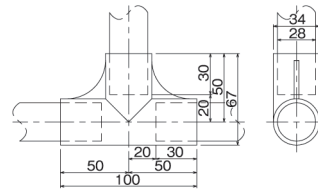
COLOR : Ivory  Gray  Green  Esd 

Unit : mm

## GAP-29A Plastic Joint



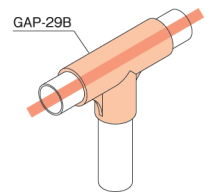
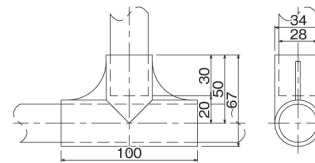
Material	ASA
Weight	0.045kg
Q'ty/Box	90pcs



## GAP-29B Plastic Joint (Through part)



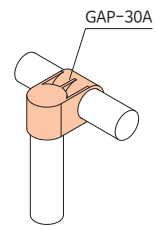
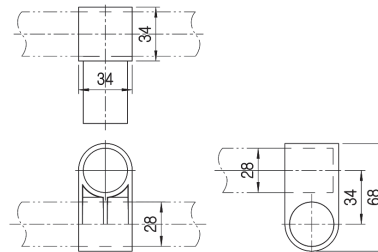
Material	ASA
Weight	0.043kg
Q'ty/Box	90pcs



## GAP-30A Plastic Joint



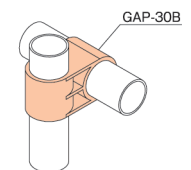
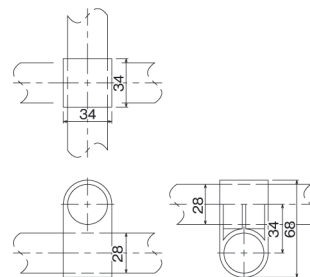
Material	ASA
Weight	0.026kg
Q'ty/Box	210pcs



## GAP-30B Plastic Joint



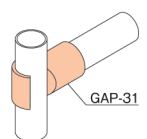
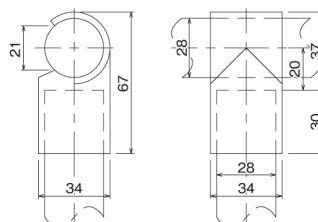
Material	ASA
Weight	0.025kg
Q'ty/Box	210pcs



## GAP-31 Plastic Joint



Material	ASA
Weight	0.020kg
Q'ty/Box	210pcs



# PLASTIC JOINTS

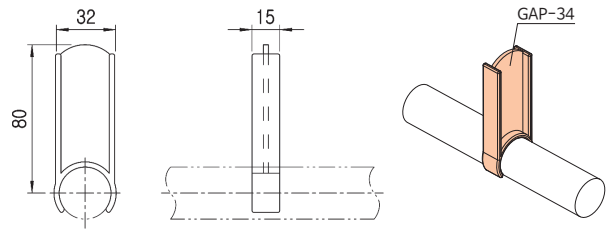
COLOR : Ivory  Gray  Green  Esd 

Unit : mm

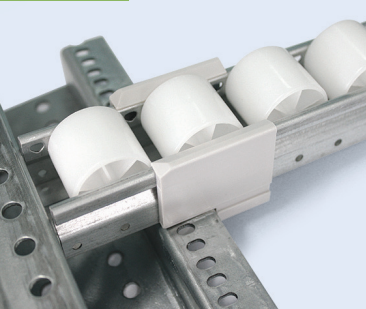
## GAP-34 Plastic Joint



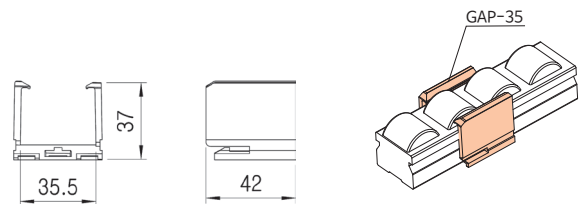
Material	ASA
Weight	0.014kg
Q'ty/Box	500pcs



## GAP-35 Plastic Joint

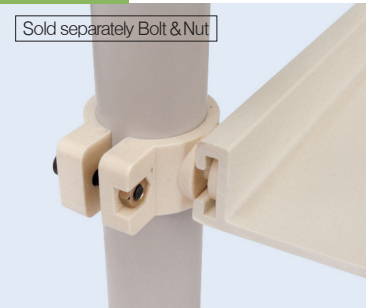


Material	NYLON66
Weight	0.015kg
Q'ty/Box	300pcs

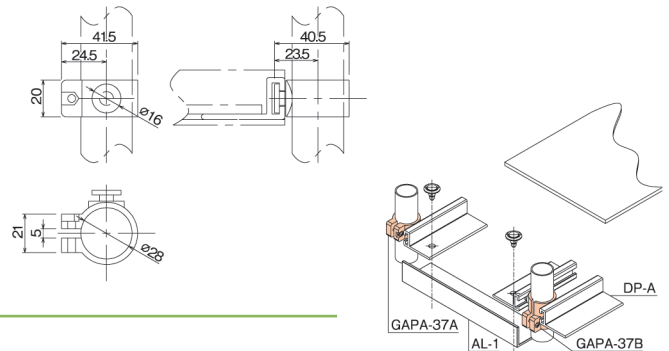


## GAP-37A Plastic Joint

Sold separately Bolt & Nut

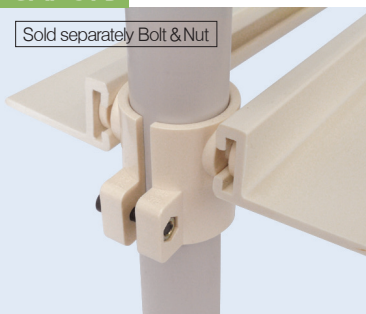


Material	ABS
Weight	0.011kg
Q'ty/Box	600pcs

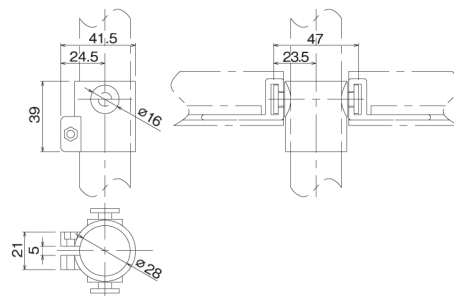


## GAP-37B Plastic Joint

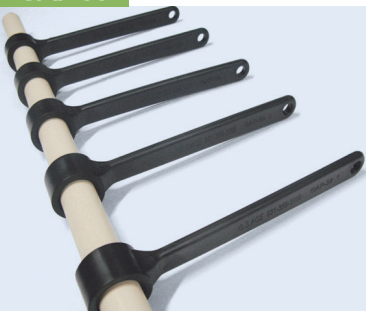
Sold separately Bolt & Nut



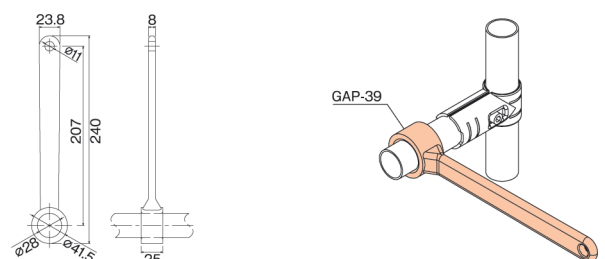
Material	ABS
Weight	0.019kg
Q'ty/Box	300pcs



## GAP-39 Plastic Joint



Material	PP
Weight	0.047kg
Q'ty/Box	160pcs



# PLASTIC JOINTS

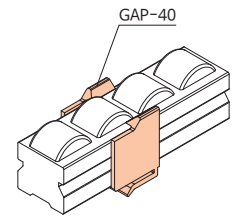
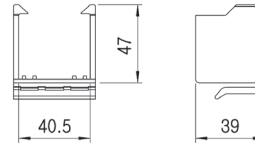
COLOR : Ivory  Gray  Green  Esd 

Unit : mm

## GAP-40 Plastic Joint



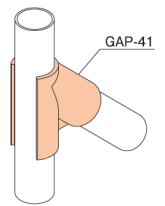
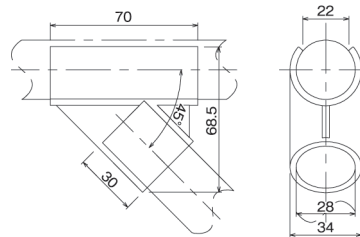
Material	NYLON66
Weight	0.034kg
Q'ty/Box	150pcs



## GAP-41 Plastic Joint



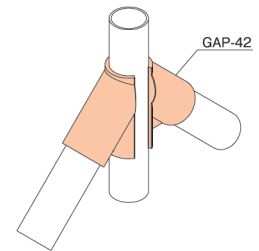
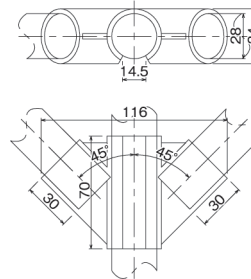
Material	ASA
Weight	0.030kg
Q'ty/Box	150pcs



## GAP-42 Plastic Joint



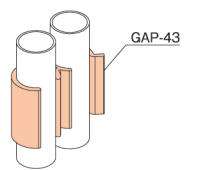
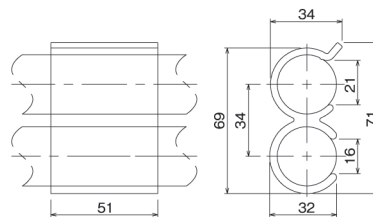
Material	ASA
Weight	0.045kg
Q'ty/Box	75pcs



## GAP-43 Plastic Joint



Material	NYLON6
Weight	0.028kg
Q'ty/Box	150pcs

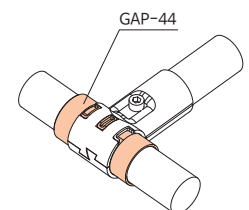
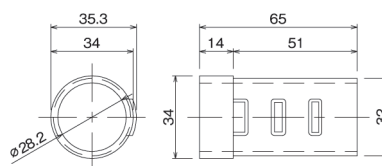


## GAP-44 Sleeve (For GA-12S/17S/18S/24S/25S)



Material	PE
Weight	0.012kg
Q'ty/Box	200pcs

\* Color : White



# PLASTIC JOINTS

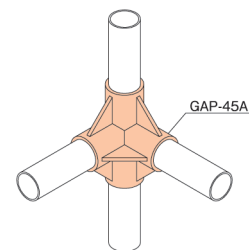
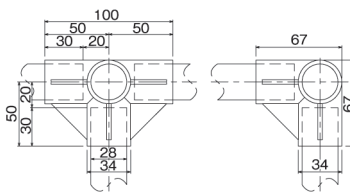
COLOR : Ivory  Gray  Green  Esd 

Unit : mm

## GAP-45A Plastic Joint



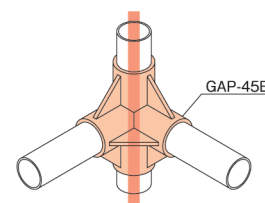
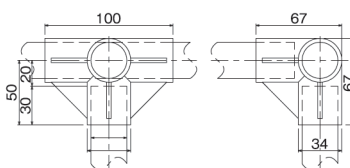
Material	ASA
Weight	0.060kg
Q'ty/Box	75pcs



## GAP-45B Plastic Joint (Through part)



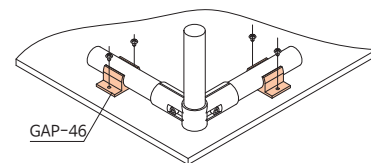
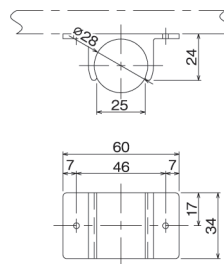
Material	ASA
Weight	0.060kg
Q'ty/Box	75pcs



## GAP-46 Plastic Joint



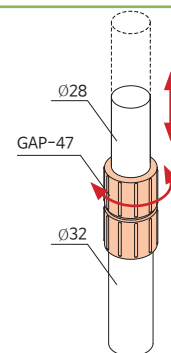
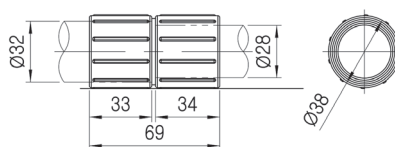
Material	ABS
Weight	0.013kg
Q'ty/Box	450pcs



## GAP-47 Plastic Joint (Length adjustment)



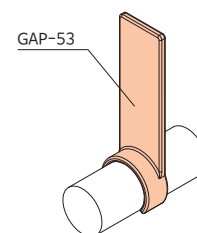
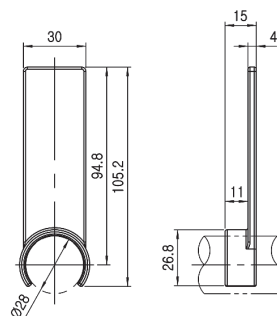
Material	ABS
Weight	0.030kg
Q'ty/Box	180pcs



## GAP-53 Plastic Joint



Material	ASA
Weight	0.014kg
Q'ty/Box	450pcs



# PLASTIC JOINTS

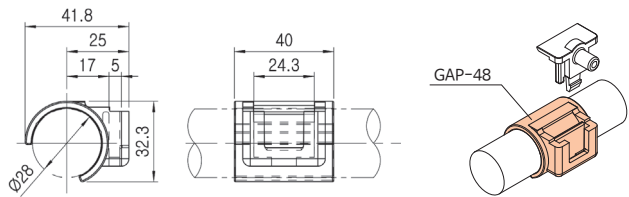
COLOR : Ivory  Gray  Green  Esd 

Unit : mm

## GAP-48 Roller Conveyor Holder (Single)



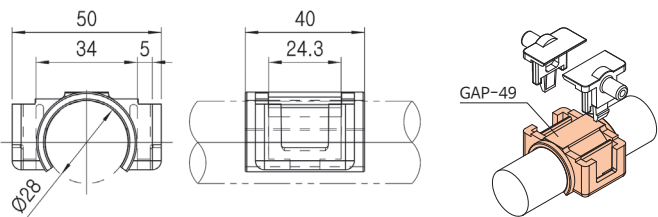
Material	ASA
Weight	0.013kg
Q'ty/Box	500pcs



## GAP-49 Roller Conveyor Holder (Double)



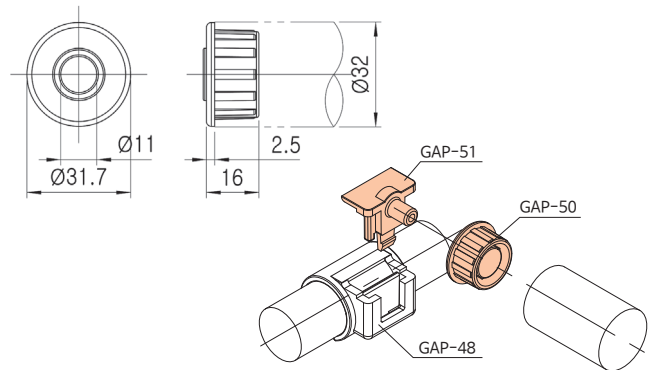
Material	ASA
Weight	0.017kg
Q'ty/Box	400pcs



## GAP-50 Roller Conveyor Cap (Without Bearing)



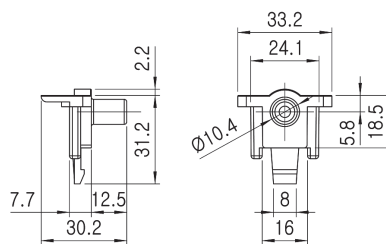
Material	POM
Weight	0.008kg
Q'ty/Box	1200pcs



## GAP-51 Roller Conveyor Support



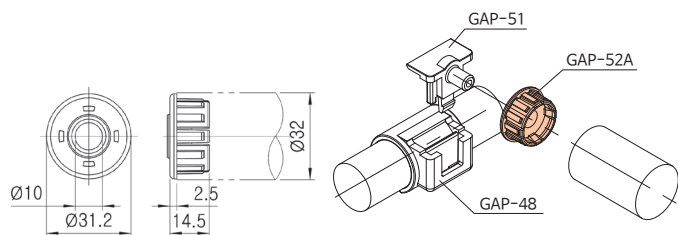
Material	POM
Weight	0.007kg
Q'ty/Box	1200pcs



## GAP-52A Roller Conveyor Cap (With Bearing)



Material	ABS
Weight	0.013kg
Q'ty/Box	1500pcs





# PLASTIC JOINTS

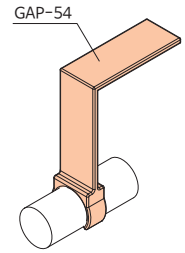
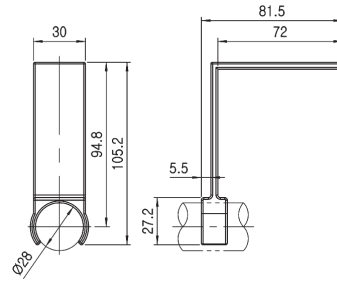
COLOR : Ivory  Gray  Green  Esd 

Unit : mm

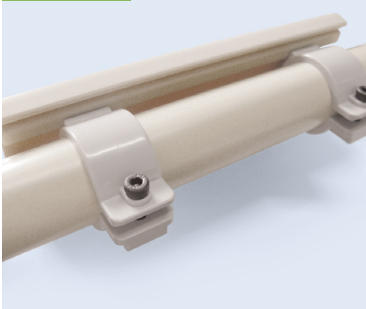
## GAP-54 Plastic Joint



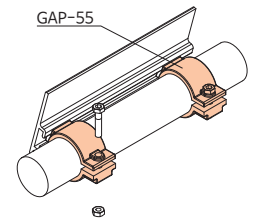
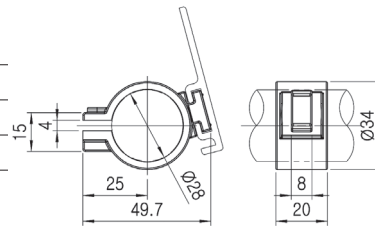
Material	ASA
Weight	0.025kg
Q'ty/Box	150pcs



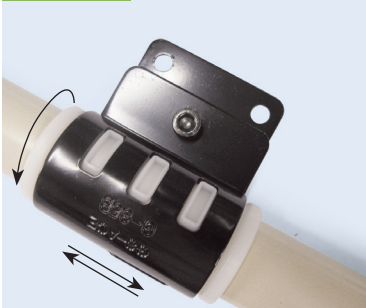
## GAP-55 Name Plate Holder (Assembled NP-B)



Material	ABS
Weight	0.009kg
Q'ty/Box	750pcs

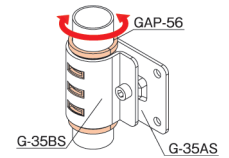
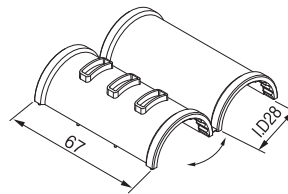


## GAP-56 Sleeve (For GA-35S)



Material	PE
Weight	0.010kg
Q'ty/Box	300pcs

\* Color : White

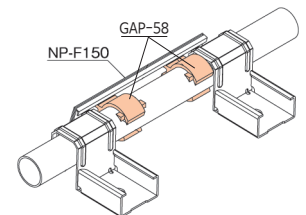
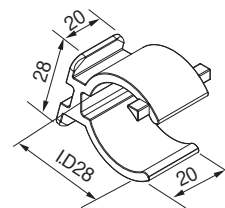


## GAP-58 Name Plate Holder (Assembled NP-F)

\*Prevent Name Plate from Rotating



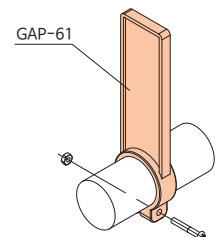
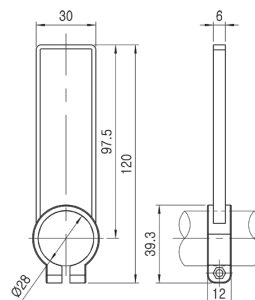
Material	PVC
Weight	0.008kg
Q'ty/Box	450pcs



## GAP-61 Plastic Joint



Material	ABS
Weight	0.015kg
Q'ty/Box	500pcs

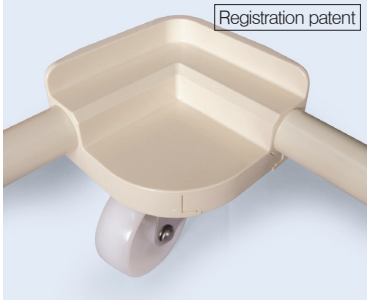


# PLASTIC JOINTS

COLOR : Ivory  Gray  Green  Esd 

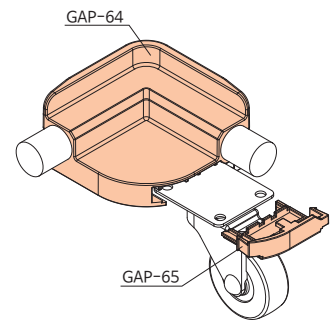
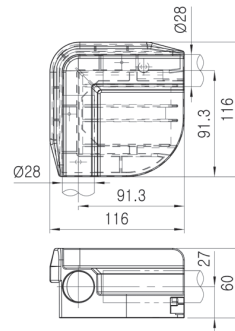
Unit : mm

## GAP-64 Corner Support Joint



Registration patent

Material	ASA
Weight	0.165kg
Q'ty/Box	38pcs

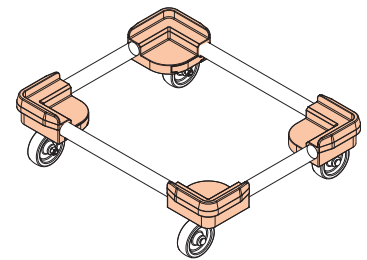
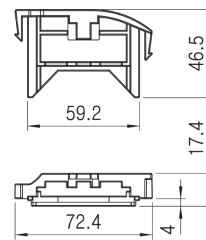


## GAP-65 Corner Support Cap



Registration patent

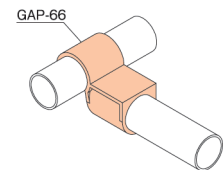
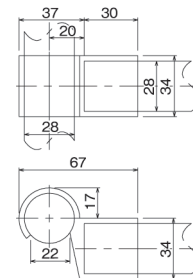
Material	ABS
Weight	0.015kg
Q'ty/Box	400pcs



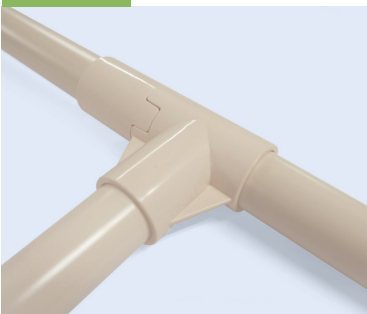
## GAP-66 Plastic Joint



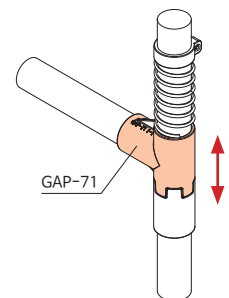
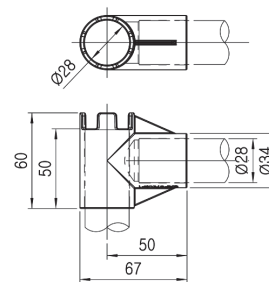
Material	ABS
Weight	0.022kg
Q'ty/Box	200pcs



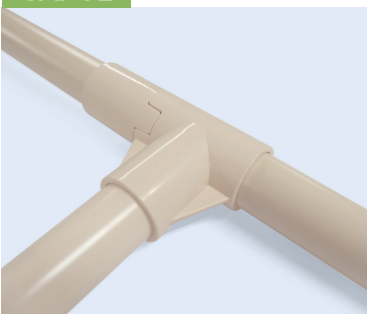
## GAP-71 Plastic Joint



Material	ASA
Weight	0.029kg
Q'ty/Box	150pcs

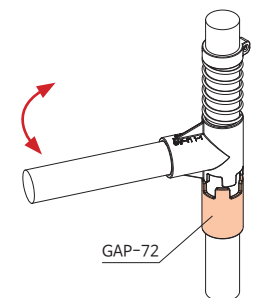
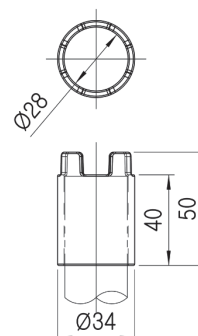


## GAP-72 Plastic Joint



Material	ASA
Weight	0.014kg
Q'ty/Box	300pcs

After fixing GAP-71 into Pipe, disassembling GAP-72 and rotating, it could be fixed 90 degree





# ROLLER TRACKS

Comprehensive Production from part manufacturing to assembly



GP-25 Series  
 GP-35 Series  
 GP-40 Series  
 GP-60 Series  
 GP-70 Series  
 GP-85 Series  
 GP-100 Series  
 Mounting Brackets

## ROLLER TRACK NUMBERING SYSTEM

### GP4036A

SERIES/FRAME SIZE

PITCH

ROLLER TYPE

A:ROUND  
 B:FLAT  
 C:FLANGE  
 SR:STS COVERED ROLLER

D:LARGE  
 HA:TAPER  
 M:MULTI  
 BF:FLEXIBLE  
 S:SLIM

ROLLER COLOR

WH: WHITE  
 GR: GRAY  
 BK: BLACK  
 YL: YELLOW

# ROLLER TRACKS

## SPECIFICATION

Unit : mm

Series	Part No.	Body Material (mm)	Load Capacity (Kg-f)	Roller Diameter (mm)	Shaft Diameter (mm)	Roller Pitch (mm)	Slope >( )°	Roller Color				ESD		Standard Length
								WH	GR	BK	YL	BK	GR	

### Silent Roller Track

25 Series	GPR2528A	AL	60	Ø25	Ø3	28.57	1.5°	○		○					3MT/4MT
40 Series	GPR4040A	GI/AL	150	Ø34	Ø4	40	2.0°	○		○		○			3MT/4MT
	GPR4040B					○			○		○				
	GPR4055C			○				○		○					
	GPR4040SR					○									
60 Series	GPR6016S	GI/AL	100	Ø15	Ø4	16.67	2.5°	○		○		○		3MT/4MT	
	GPR6033B		150	Ø30	Ø4	33.33		○		○		○			
	GPR6033HA		150	Ø30	Ø4	33.33		○							
70 Series	GPR7042B	AL	200	Ø34	Ø5	42	3.5°	○				○		3MT/4MT	
	GPR7042BF										○				
	GPR7021BFS-2			Ø17.6		21	-						○		
85 Series	GPR8523S	GI/AL	200	Ø20.5	Ø3.5	22.5	1.5°	○		○		○		4MT	
	GPR8545B										○		○		
	GPR8545HA		300	Ø40		45				○			○		2MT
	GPR8545SR			Ø43						○					
100 Series	GPR1021BFS	AL	250	Ø17.6	Ø5	21	-						○	2MT/3MT	

### Standard Roller Track

35 Series	GP3533B	GI	100	Ø28	Ø3	33.33	2.5°	○	○	○	○	○			3MT/4MT
40 Series	GP4036A	GI	150	Ø34	Ø4	36	2.0°	○		○		○		3MT/4MT	
	GP4036B					○			○		○				
	GP4040A					○			○		○				
	GP4040B			○				○		○					
	GP4050C			○				○		○					
	GP4050D			○				○		○					
60 Series	GP6016S	GI	100	Ø15	Ø4	16.67	2.5°	○		○		○		3MT/4MT	
	GP6033B		150	Ø30		33.33		○		○		○			
	GP6033HA							○							
70 Series	GP7050BF	GI	200	Ø34	Ø5	50	3.5°				○	○		3MT/4MT	
85 Series	GP8525M	GI	300	Ø34	Ø5	25	2.5°	○		○		○		3MT/4MT	
	GP8543B			Ø40		43		○			○				
	GP8550SR			Ø43	Ø3.5	50	1.5°	○						2MT	

### CURVE ROLLER

40 Series	CR40A	PE	100	Ø34	Ø4	76	2.0°	○		○		○		-
	CR40B			○					○		○			
	CR40D			○					○		○			

### UNIVERSAL ROLLER TRACK

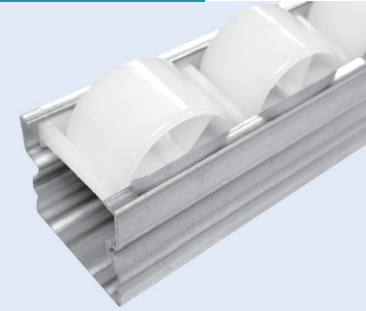
40 Series	UR4050	AL	100	Ø43	Ø4	50	2.5°		○			○		3MT
60 Series	UR6067		200	Ø60	Ø5	66.7	3.0°		○			○		2MT

# ROLLER TRACKS

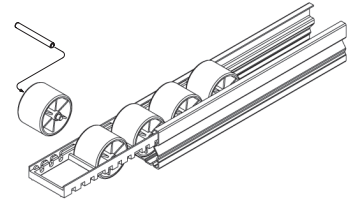
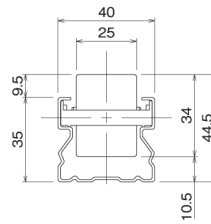
## GI-BODY SILENT ROLLER TRACK

Unit : mm

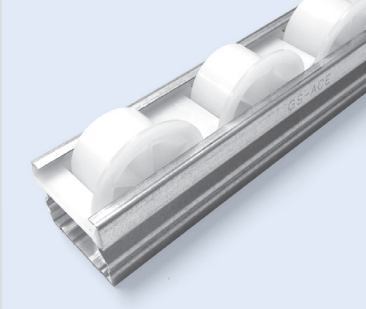
### GPR4040A/B-GI Silent Roller, Pitch: 40



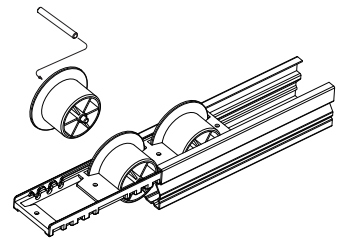
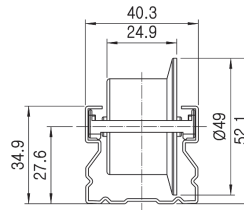
Material	Body : GI
	Roller : PE
Q'ty/Bundle	10ea



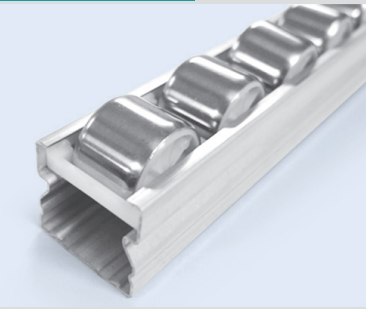
### GPR4055C-GI Silent Roller, Pitch: 55



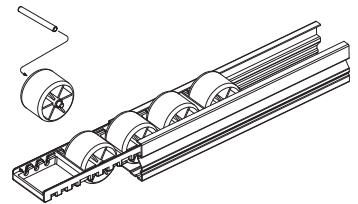
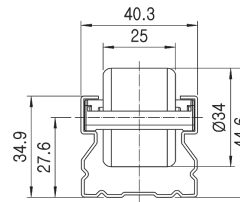
Material	Body : GI
	Roller : PE
Q'ty/Bundle	10ea



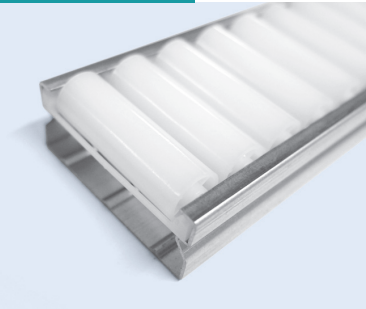
### GPR4040SR-GI Silent STS Covered Roller, Pitch: 40



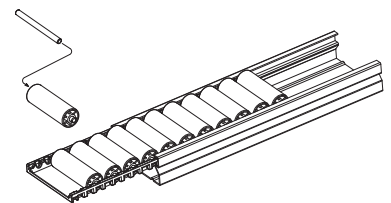
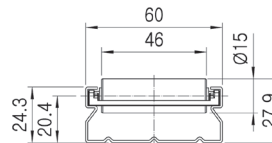
Material	Body : GI
	Roller : STS+PE
Q'ty/Bundle	10ea



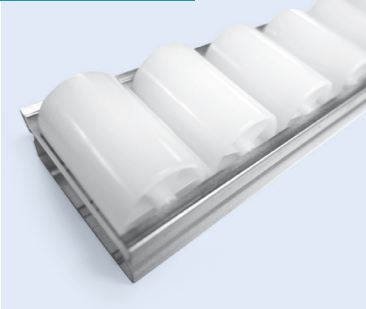
### GPR6016S-GI Silent Roller, Pitch: 16



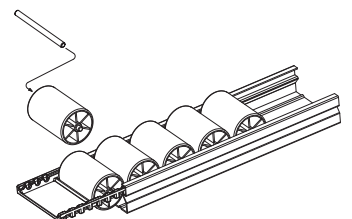
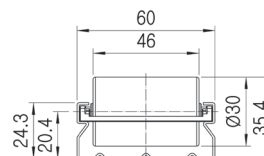
Material	Body : GI
	Roller : PE
Q'ty/Bundle	10ea



### GPR6033B-GI Silent Roller, Pitch: 33



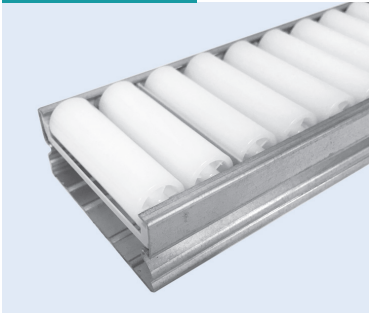
Material	Body : Aluminum
	Roller : PE
Q'ty/Bundle	6ea



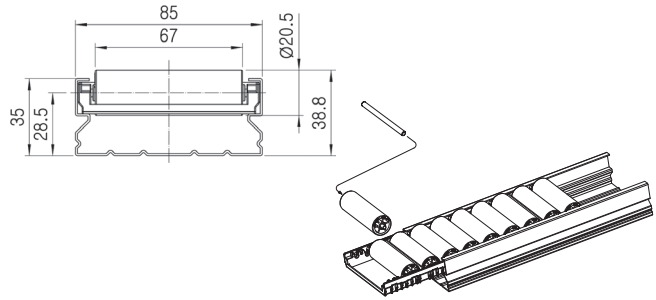
# ROLLER TRACKS

Unit : mm

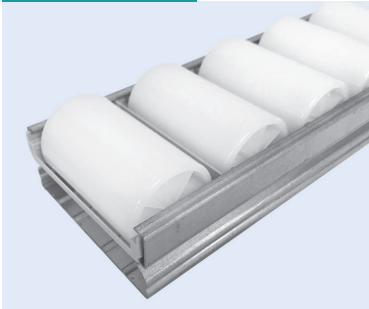
## GPR8523S-GI Silent Roller , Pitch:22,5



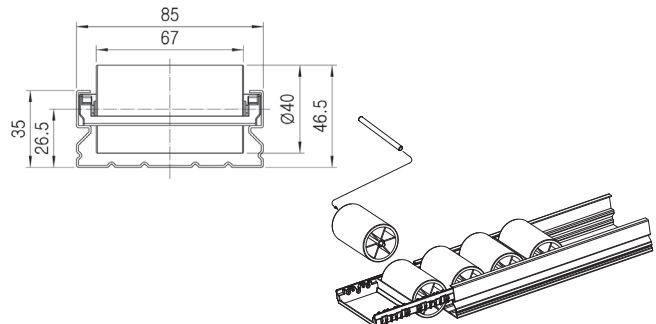
Material	Body : GI
	Roller : PE
Q'ty/Bundle	4ea



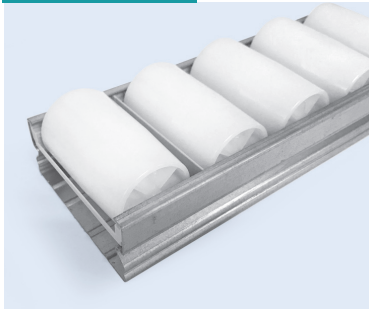
## GPR8545B-GI Silent Roller , Pitch: 45



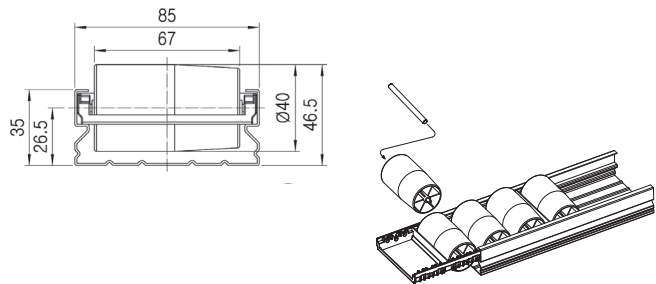
Material	Body : GI
	Roller : PE
Q'ty/Bundle	4ea



## GPR8545HA-GI Silent Roller, Pitch: 45

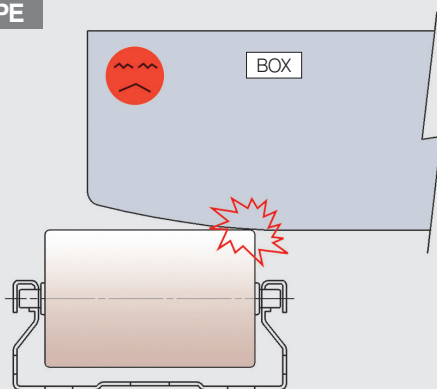


Material	Body : GI
	Roller : PE
Q'ty/Bundle	4ea



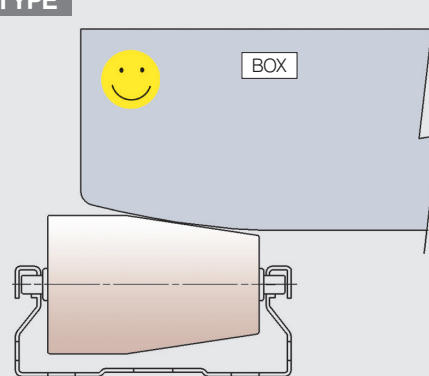
### CHOICE FOR THE ROLLER TYPE

#### B : FLAT TYPE



※ Old box with the bent bottom will not be rolled over B Type

#### HA : TAPER TYPE



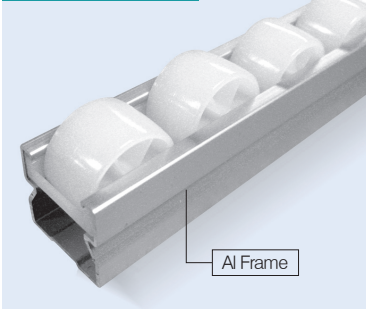
※ Old box with the bent bottom will be well-rolled over HA Type

# ROLLER TRACKS

## AL-BODY SILENT ROLLER TRACK

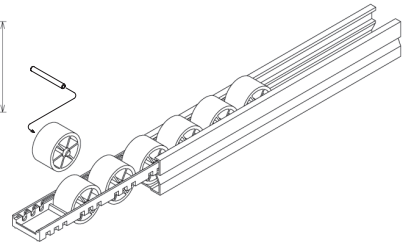
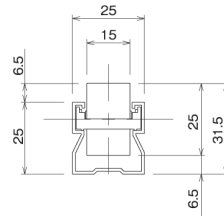
Unit : mm

### GPR2528A-AL Silent Roller, Pitch: 28,6

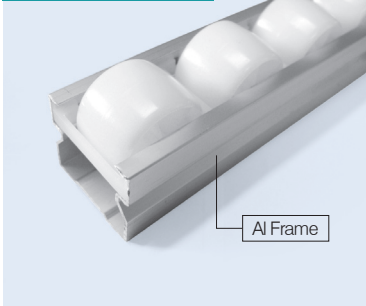


Al Frame

Material	Body : Aluminum
	Roller : PE
Q'ty/Bundle	10ea

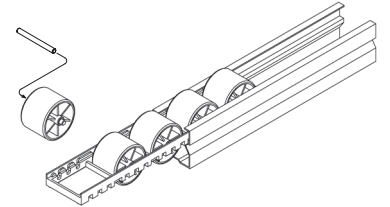
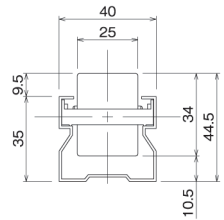


### GPR4040A/B-AL Silent Roller, Pitch: 40

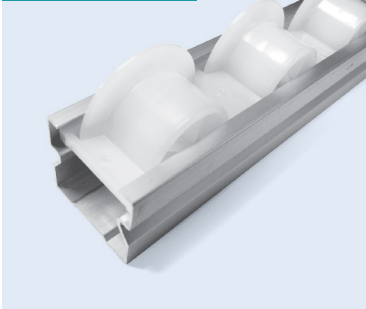


Al Frame

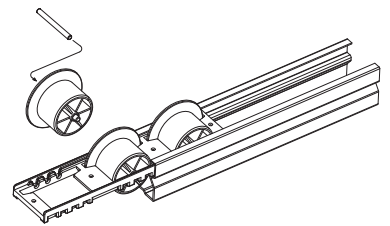
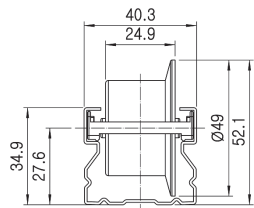
Material	Body : Aluminum
	Roller : PE
Q'ty/Bundle	10ea



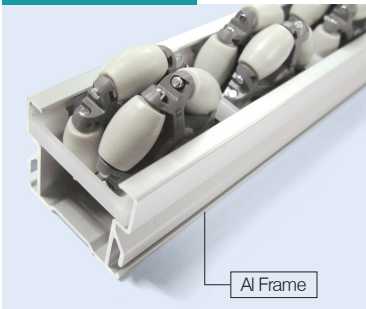
### GPR4055C-AL Silent Roller, Pitch: 55



Material	Body : Aluminum
	Roller : PE
Q'ty/Bundle	10ea

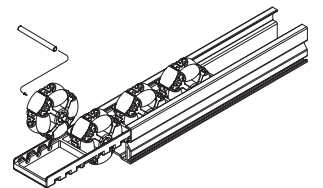
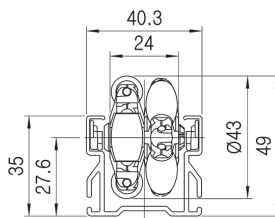


### UR4050-AL Universal Roller, Pitch: 50

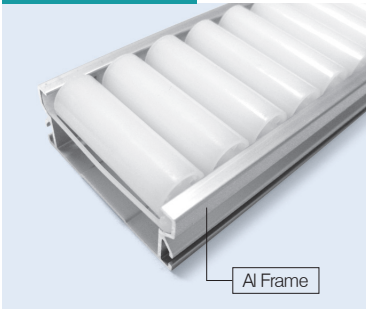


Al Frame

Material	Body : Aluminum
	Roller : Acetal
Q'ty/Bundle	6ea

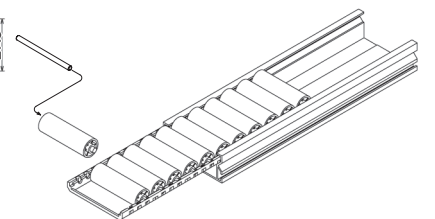
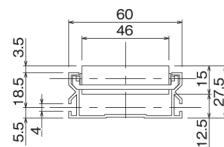


### GPR6016S-AL Silent Roller, Pitch: 16



Al Frame

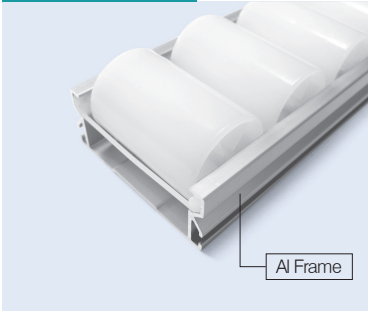
Material	Body : Aluminum
	Roller : PE
Q'ty/Bundle	6ea



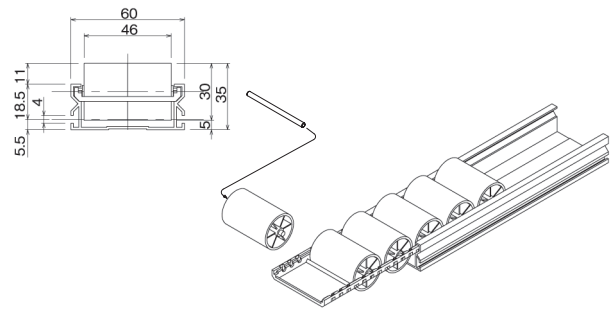
# ROLLER TRACKS

Unit : mm

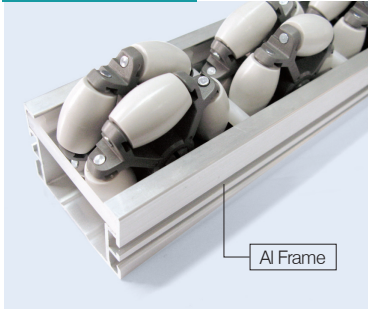
## GPR6033B-AL Silent Roller, Pitch: 33



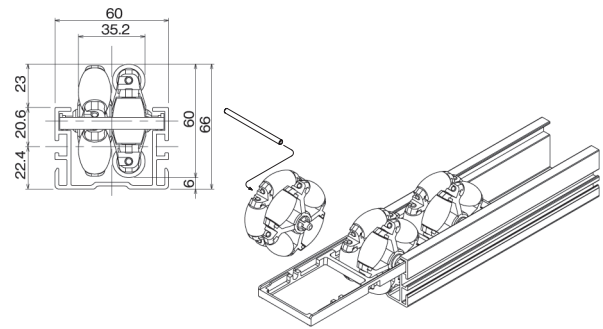
Material	Body : Aluminum
	Roller : PE
Q'ty/Bundle	6ea



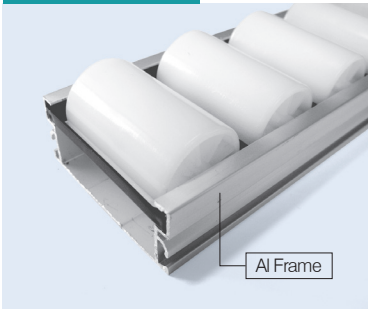
## UR6067-AL Universal Roller, Pitch:67



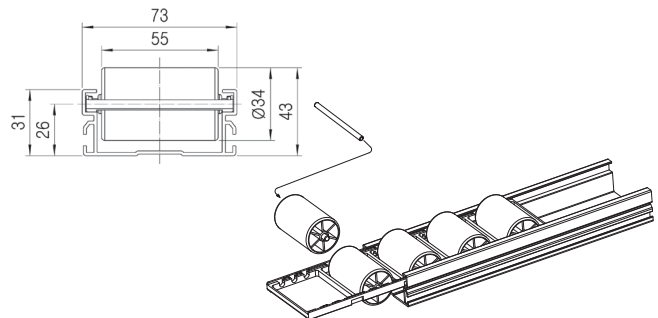
Material	Body : Aluminum
	Roller : Acetal
Q'ty/Bundle	4ea



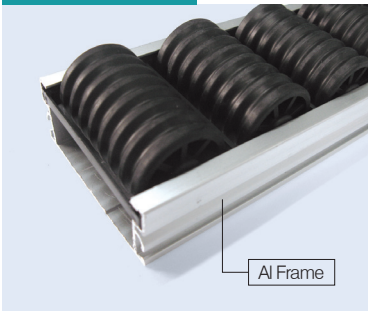
## GPR7042B-AL Silent Roller, Pitch: 42



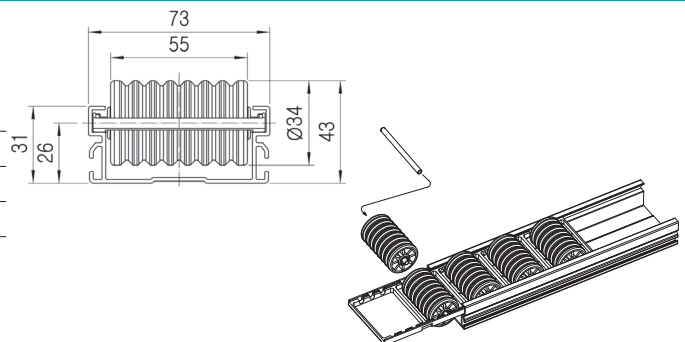
Material	Body : Aluminum
	Roller : PE
Q'ty/Bundle	6ea



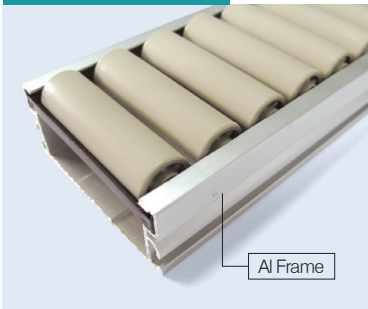
## GPR7042BF-AL Silent Roller, Pitch: 42



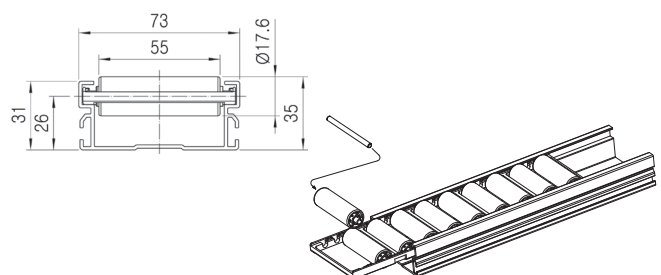
Material	Body : Aluminum
	Roller : TPV
Q'ty/Bundle	6ea



## GPR7021BFS-2-AL Silent Roller, Pitch: 21



Material	Body : Aluminum
	Roller : Urethane
Q'ty/Bundle	6ea

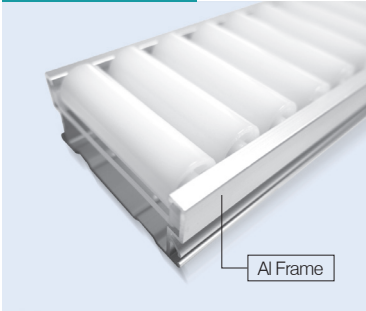




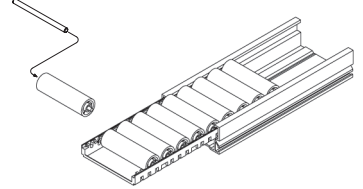
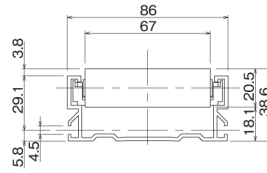
# ROLLER TRACKS

Unit : mm

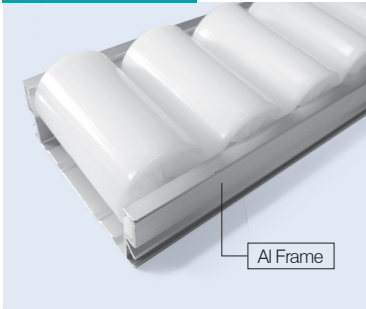
## GPR8523S-AL Silent Roller, Pitch: 22.5



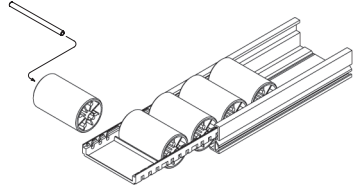
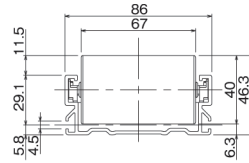
Material	Body : Aluminum
	Roller : PE
Q'ty/Bundle	4ea



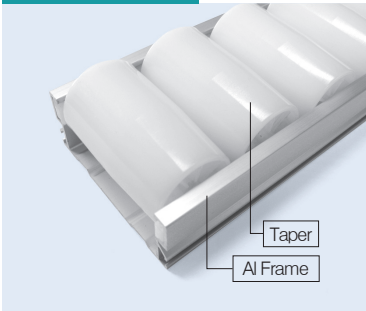
## GPR8545B-AL Silent Roller, Pitch: 45



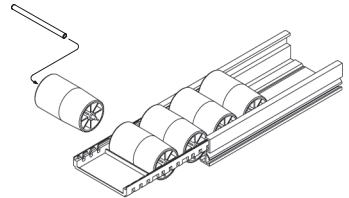
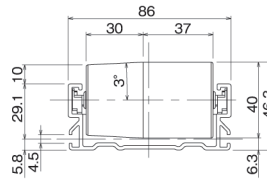
Material	Body : Aluminum
	Roller : PE
Q'ty/Bundle	4ea



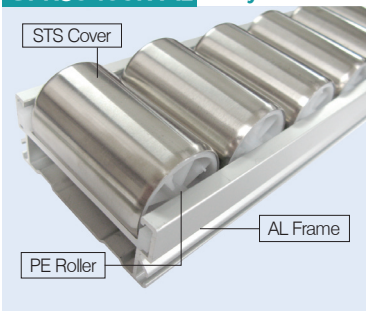
## GPR8545HA-AL Silent Roller, Pitch: 45



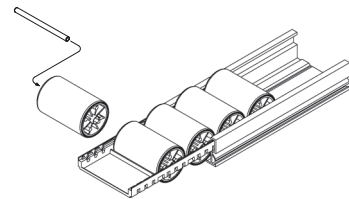
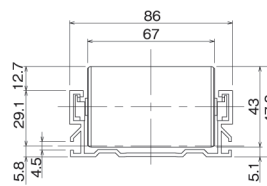
Material	Body : Aluminum
	Roller : PE
Q'ty/Bundle	4ea



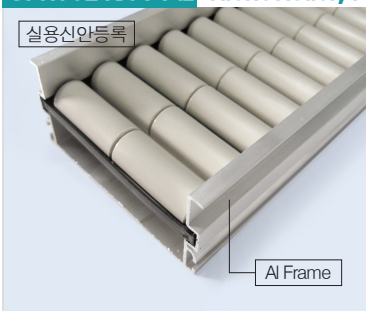
## GPR8545SR-AL Recycle STS Covered Roller Track, Pitch: 45



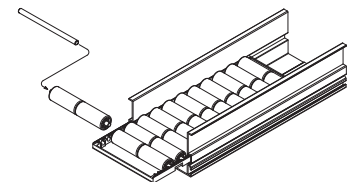
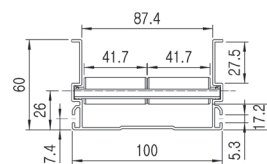
Material	Body : Aluminum
	Roller : STS+PE
Q'ty/Bundle	4ea



## GPR1021BFS-AL Silent Roller, Pitch: 21



Material	Body : Aluminum
	Roller : PE
Q'ty/Bundle	4ea

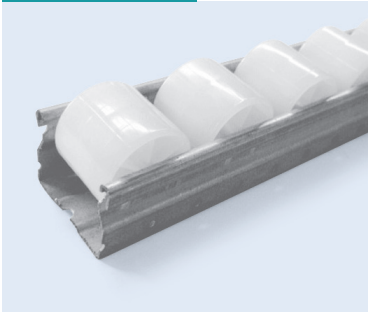


# ROLLER TRACKS

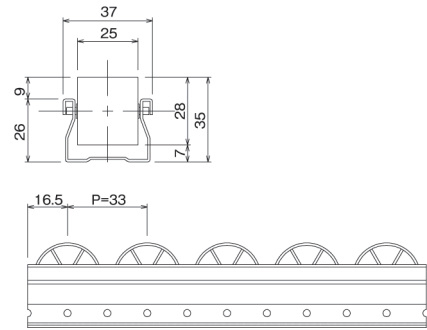
## STANDARD ROLLER TRACK

Unit : mm

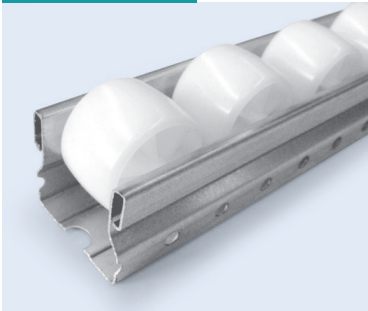
**GP-3533B** Pitch : 33



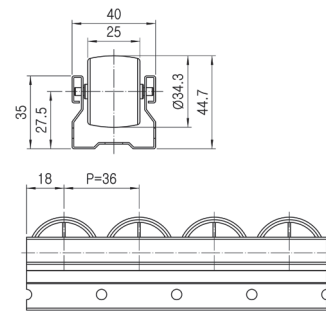
Material	Body : GI
	Roller : PE
Q'ty/Bundle	10ea



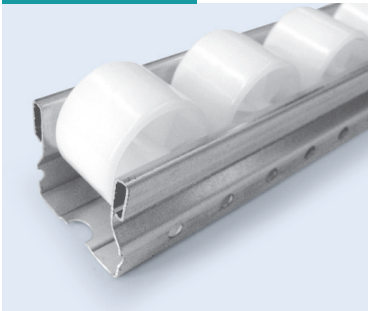
**GP-4036A** Pitch: 36



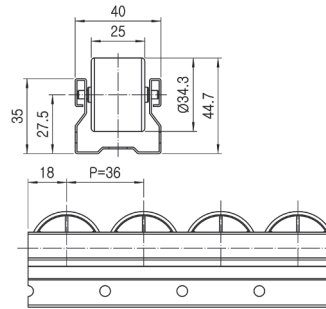
Material	Body : GI
	Roller : PE
Q'ty/Bundle	10ea



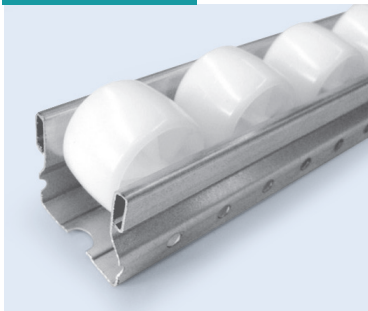
**GP-4036B** Pitch: 36



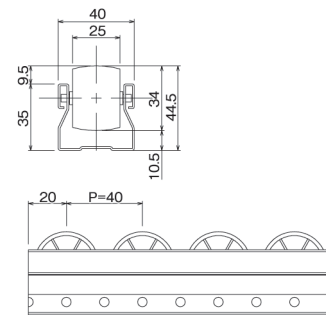
Material	Body : GI
	Roller : PE
Q'ty/Bundle	10ea



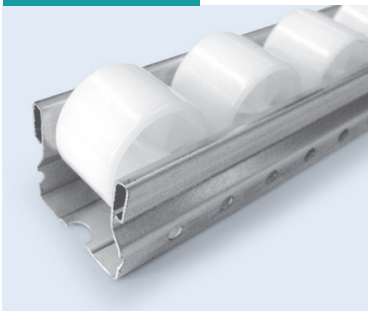
**GP-4040A** Pitch: 40



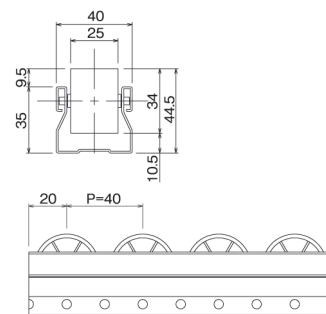
Material	Body : GI
	Roller : PE
Q'ty/Bundle	10ea



**GP-4040B** Pitch: 40



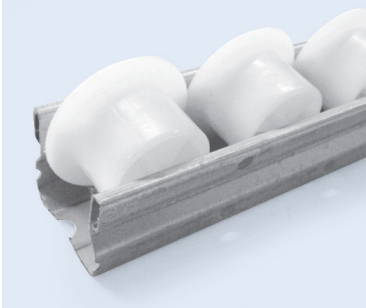
Material	Body : GI
	Roller : PE
Q'ty/Bundle	10ea



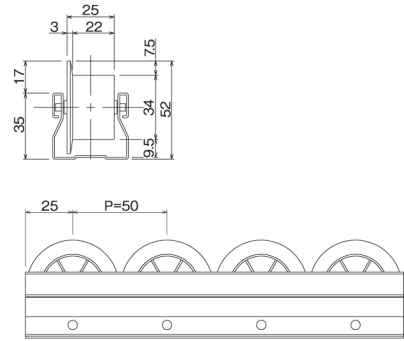
# ROLLER TRACKS

Unit : mm

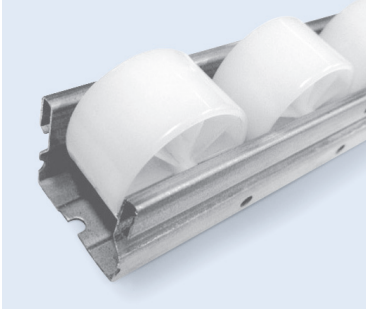
**GP-4050C** Pitch: 50



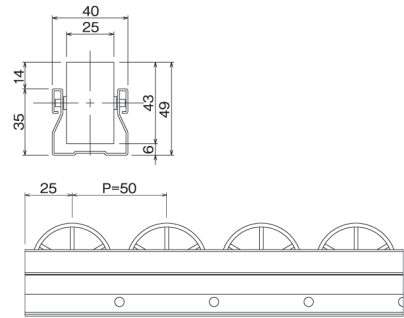
Material	Body : GI
	Roller : PE
Q'ty/Bundle	10ea



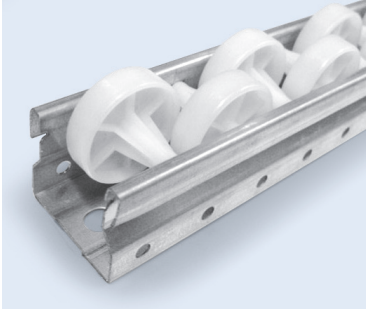
**GP-4050D** Pitch: 50



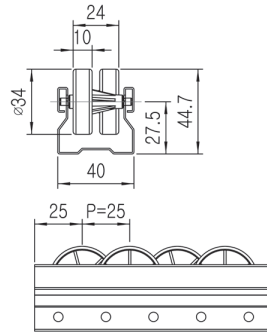
Material	Body : GI
	Roller : PE
Q'ty/Bundle	10ea



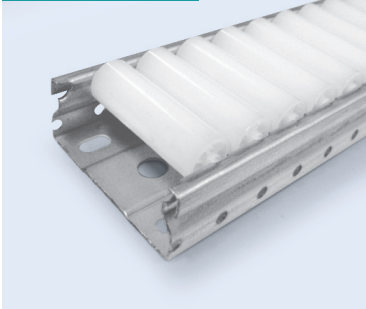
**GP4025M** Pitch: 25



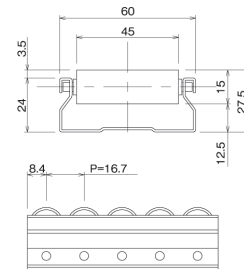
Material	Body : GI
	Roller : PE
Q'ty/Bundle	10ea



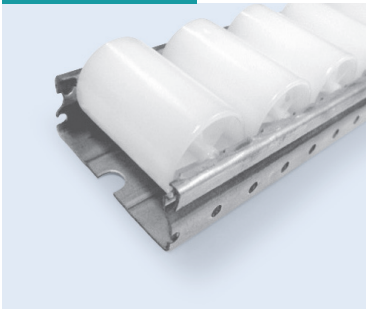
**GP6016S** Pitch: 16



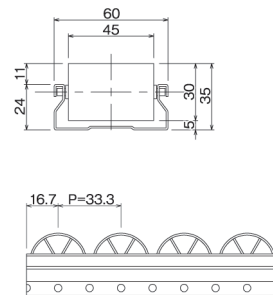
Material	Body : GI
	Roller : PE
Q'ty/Bundle	10ea



**GP6033B** Pitch: 33



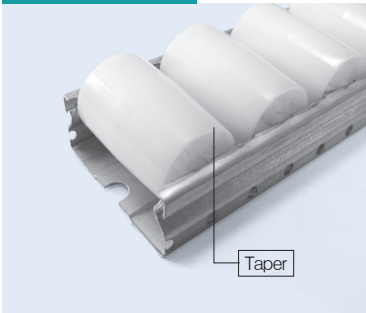
Material	Body : GI
	Roller : PE
Q'ty/Bundle	10ea



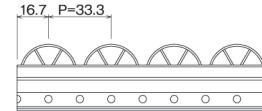
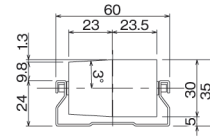
# ROLLER TRACKS

Unit : mm

## GP6033HA Pitch: 33



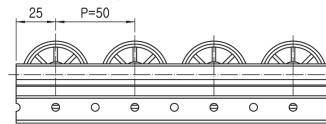
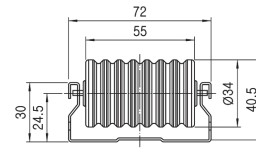
Material	Body : GI
	Roller : PE
Q'ty/Bundle	6ea



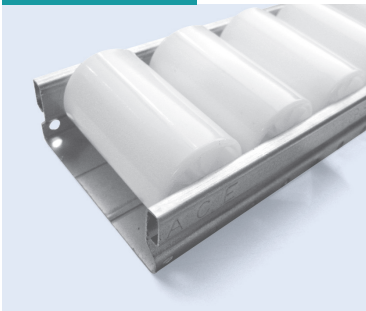
## GP7050BF Pitch: 50



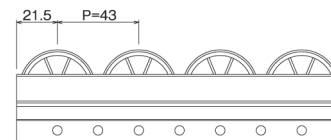
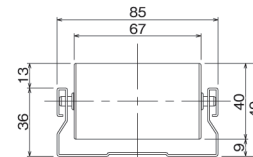
Material	Body : GI
	Roller : TPU
Q'ty/Bundle	6ea



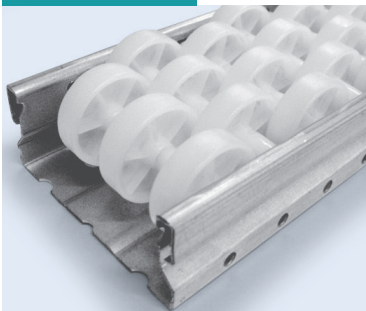
## GP8543B Pitch: 43



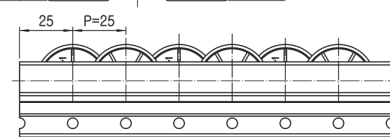
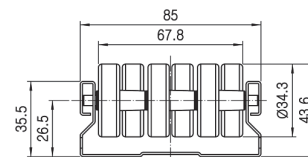
Material	Body : GI
	Roller : PE
Q'ty/Bundle	4ea



## GP8525M Pitch: 25



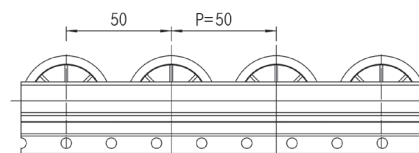
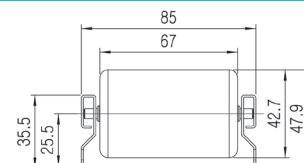
Material	Body : GI
	Roller : PE
Q'ty/Bundle	4ea



## GP8550SR STS Covered Roller, Pitch: 50



Material	Body : GI
	Roller : STS+PE
Q'ty/Bundle	4ea

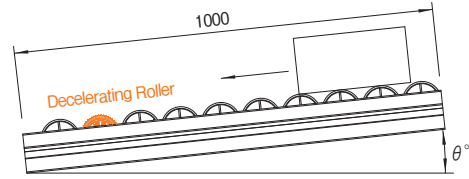
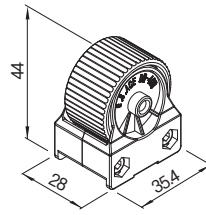
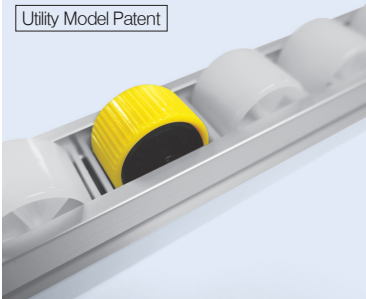


# ROLLER TRACKS

Unit : mm

## DR-40R Decelerating Roller

Utility Model Patent



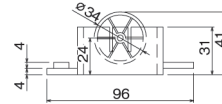
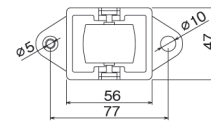
Material	TPU	Maximum Box Brake Weight Per Slope					Remark	
		Roller Q'ty	$\theta = 1.5^\circ$	$\theta = 2.0^\circ$	$\theta = 2.5^\circ$	$\theta = 3.0^\circ$		$\theta = 3.5^\circ$
Weight	0.035kg	1set(2ea)	32Kg	25Kg	6 Kg	4 Kg	2.5 Kg	Roller Load = 1.4Kgf/ea
Q'ty/Box	120pcs	2set(4ea)	-	32Kg	12Kg	9 Kg	5 Kg	

## CR40A/B Curve Roller

Registration patent

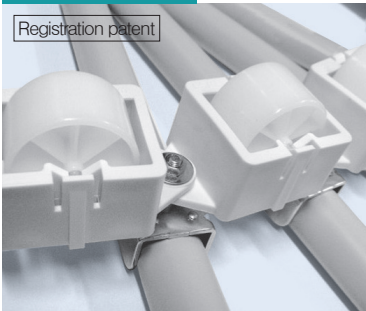


Material	PE
Q'ty/Box	100pcs
CR40A	Roller A (Round)
CR40B	Roller B (Flat)

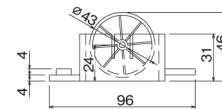
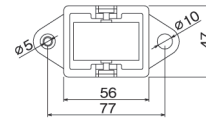


## CR40D Curve Roller

Registration patent



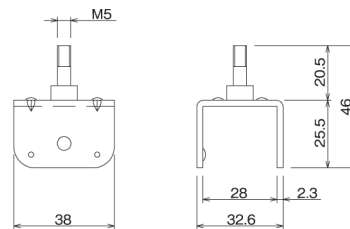
Material	PE
Q'ty/Box	100pcs



## BKT-40 Curve Roller Bracket



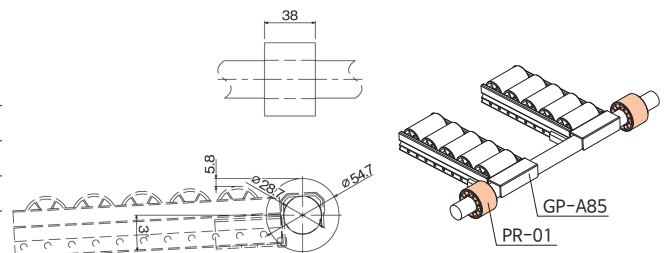
Material	Steel
Weight	0.055kg
Q'ty/Box	200pcs



## PR-01 Pipe Roller -L



Material	PE
Weight	0.031kg
Q'ty/Box	150pcs



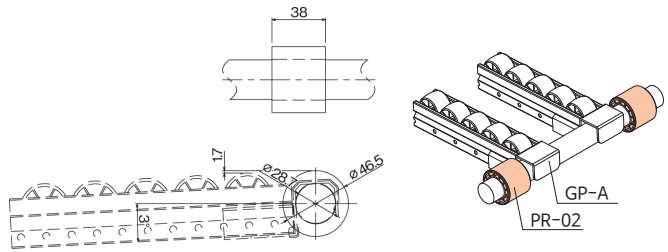
# ROLLER TRACKS

Unit : mm

## PR-02 Pipe Roller - S



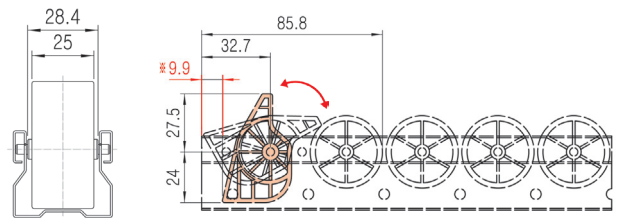
Material	PE
Weight	0.022kg
Q'ty/Box	210pcs



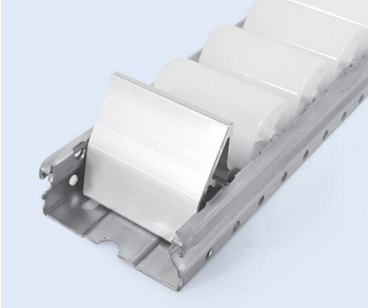
## SR-40 Stop Roller



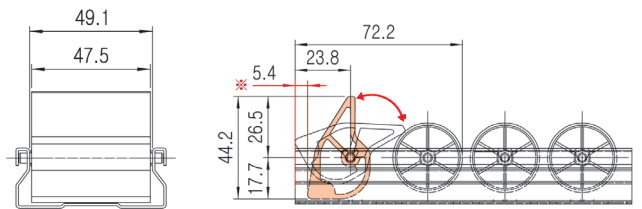
Material	PE
Weight	0.012kg
Q'ty/Box	450pcs



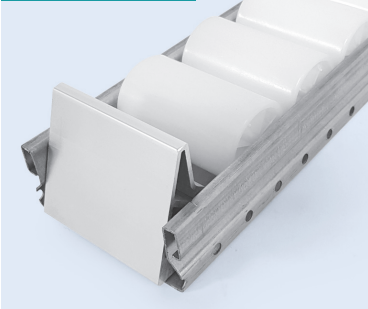
## SR-60A Stop Roller



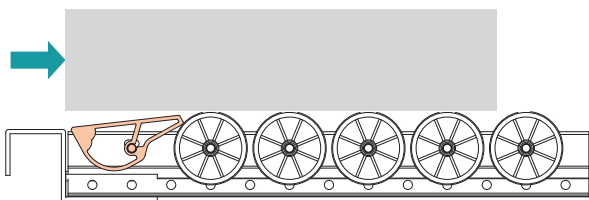
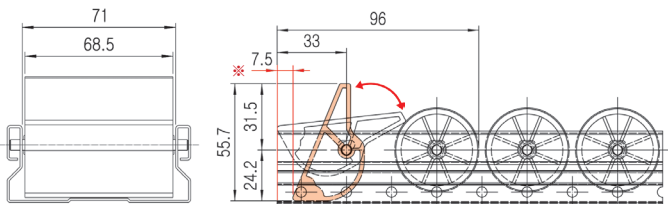
Material	Aluminum
Weight	0.046kg
Q'ty/Box	200pcs



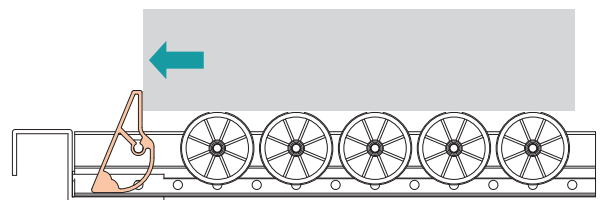
## SR-85A Stop Roller



Material	Aluminum
Weight	0.078kg
Q'ty/Box	40pcs



(Loading)



(Stopping Backflow)

# ROLLER TRACKS

Surface Treatment-WZ

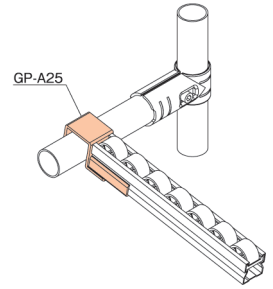
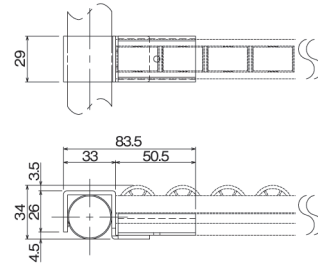
Unit : mm

## ROLLER TRACK MOUNTING BRKT (25 Series)

### GP-A25 Roller Mounting Bracket



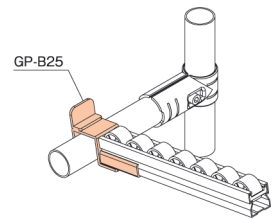
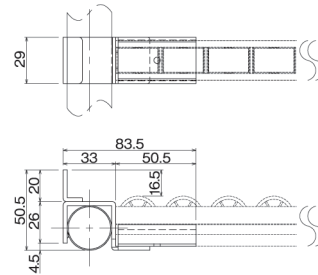
Material	Steel
Weight	0.082kg
Qty/Box	90pcs



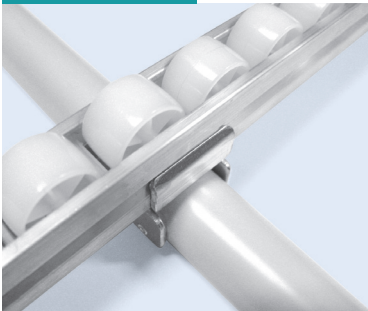
### GP-B25 Roller Mounting Bracket / Tab Stop



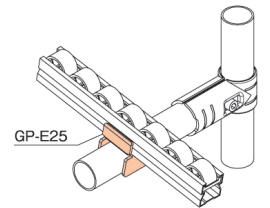
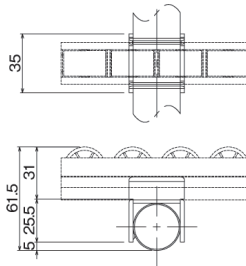
Material	Steel
Weight	0.096kg
Qty/Box	60pcs



### GP-E25 Roller Mounting Bracket / Center Support



Material	Steel
Weight	0.057kg
Qty/Box	120pcs



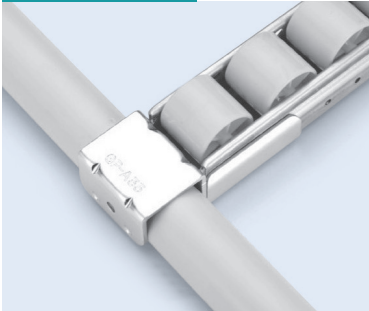
# ROLLER TRACKS

Surface Treatment-WZ

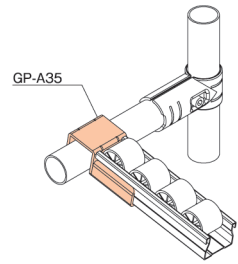
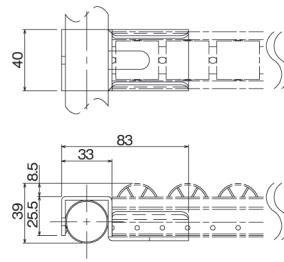
## ROLLER TRACK MOUNTING BRKT (35 Series)

Unit : mm

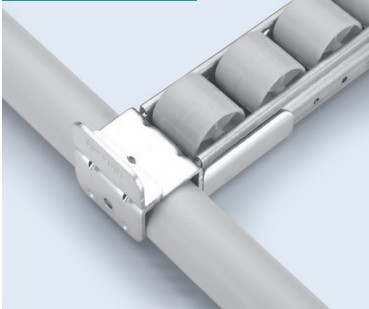
### GP-A35 Roller Mounting Bracket



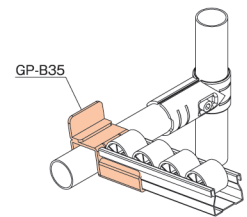
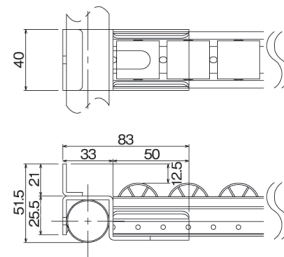
Material	Steel
Weight	0.111kg
Qty/Box	80pcs



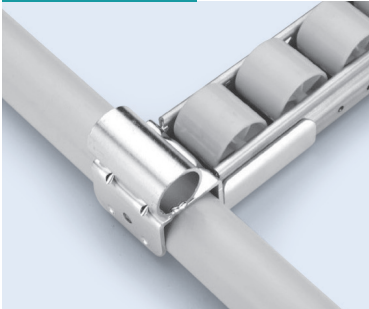
### GP-B35 Roller Mounting Bracket / Tap Stop



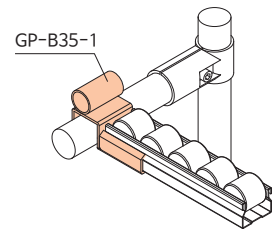
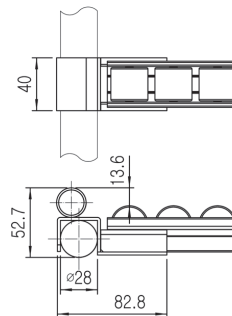
Material	Steel
Weight	0.132kg
Qty/Box	60pcs



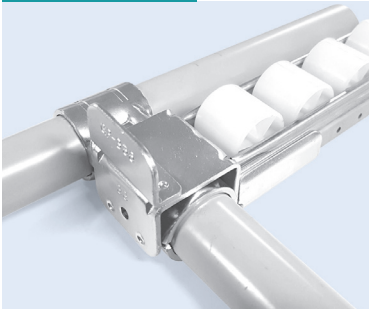
### GP-B35-1 Roller Mounting Bracket / Tap Stop



Material	Steel
Weight	0.240kg
Qty/Box	70pcs

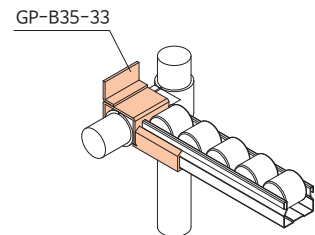
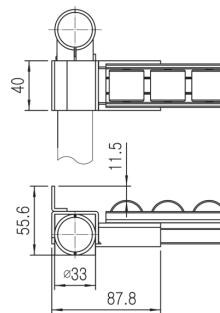


### GP-B35-33 Roller Mounting Bracket / Tap Stop

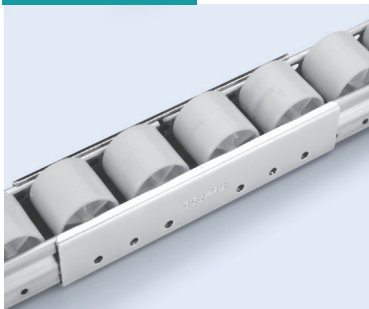


Material	Steel
Weight	0.132kg
Qty/Box	60pcs

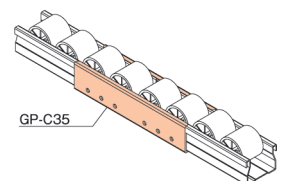
Bracket for assembling with upper Joint.



### GP-C35 Roller Track Union



Material	Steel
Weight	0.148kg
Qty/Box	60pcs



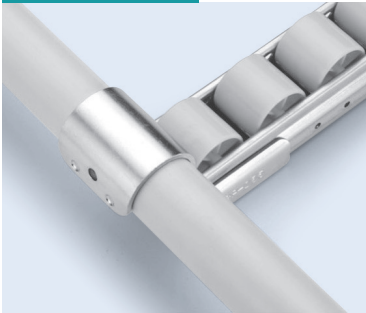


# ROLLER TRACKS

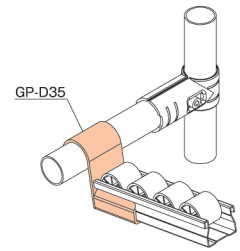
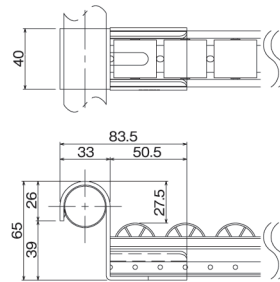
Surface Treatment-WZ

Unit : mm

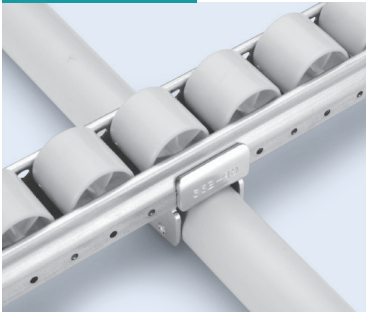
## GP-D35 Roller Mounting Bracket / Drop Stop



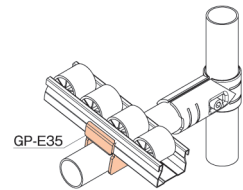
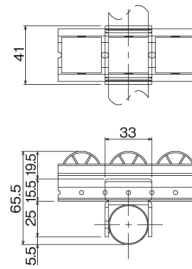
Material	Steel
Weight	0.130kg
Qty/Box	70pcs



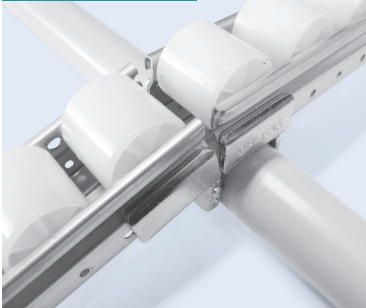
## GP-E35 Roller Mounting Bracket / Center Support



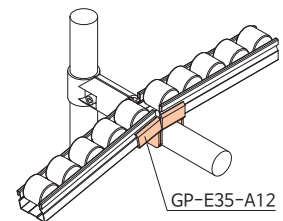
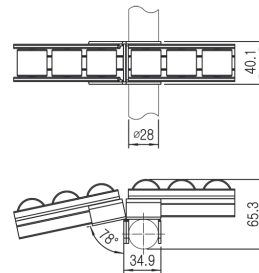
Material	Steel
Weight	0.064kg
Qty/Box	120pcs



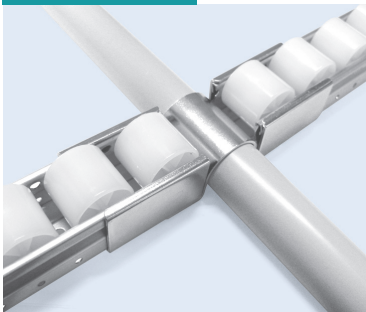
## GP-E35-A12 Roller Mounting Bracket / Center Support



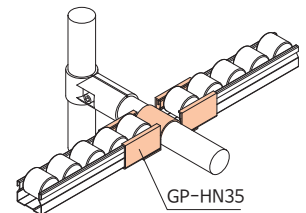
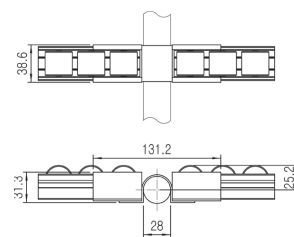
Material	Steel
Weight	0.117kg
Qty/Box	60pcs



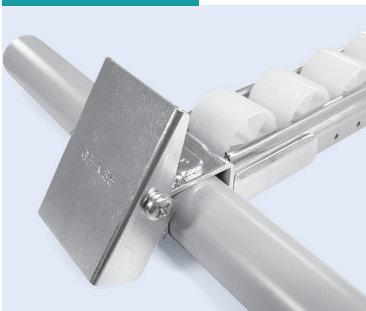
## GP-HN35 Roller Track Union



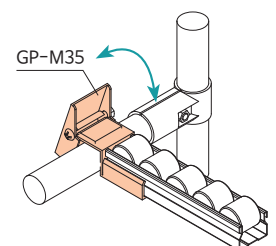
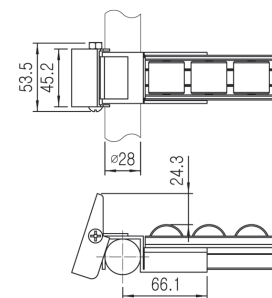
Material	Steel
Weight	0.175kg
Qty/Box	36pcs



## GP-M35 Roller Mounting Bracket



Material	Steel
Weight	0.210kg
Qty/Box	30pcs

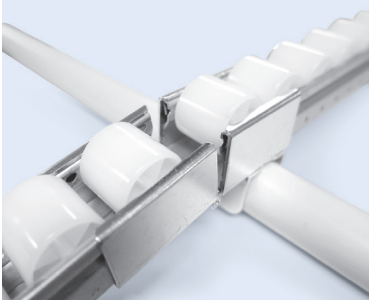


# ROLLER TRACKS

Surface Treatment-WZ

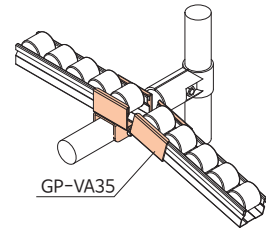
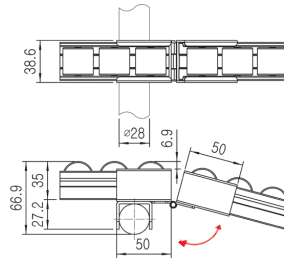
Unit : mm

## GP-VA35 Roller Mounting Bracket



Material	Steel
Weight	0.190kg
Qty/Box	45pcs

The Roller track angle can be changed



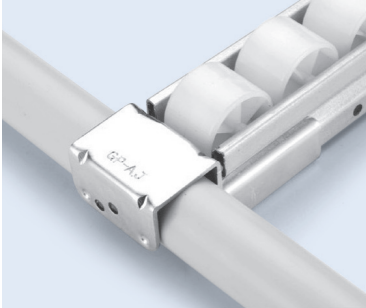
# ROLLER TRACKS

Surface Treatment-WZ

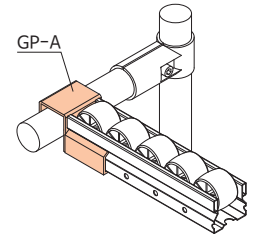
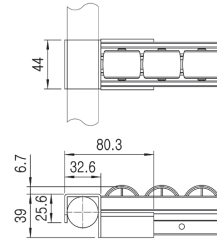
Unit : mm

## ROLLER TRACK MOUNTING BRKT (40 Series)

### GP-A Roller Mounting Bracket



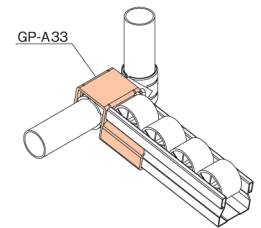
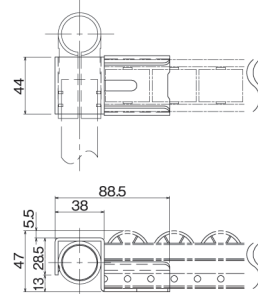
Material	Steel
Weight	0.141kg
Qty/Box	80pcs



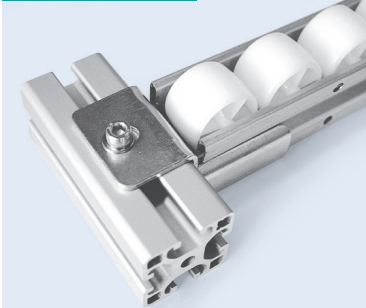
### GP-A33 Roller Mounting Bracket



Material	Steel
Weight	0.142kg
Qty/Box	60pcs

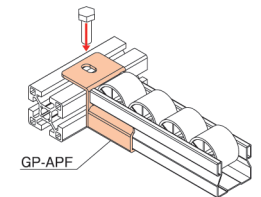
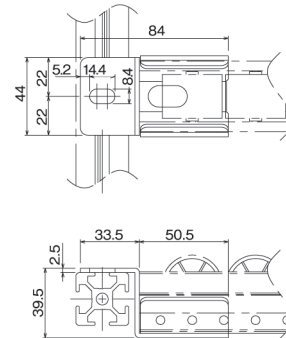


### GP-APF Roller Mounting Bracket

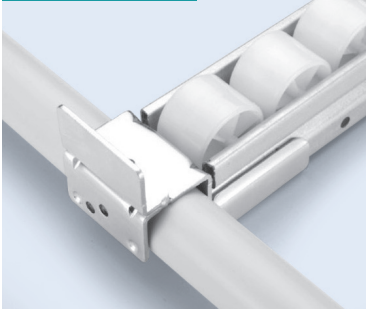


Material	Steel
Weight	0.124kg
Qty/Box	80pcs

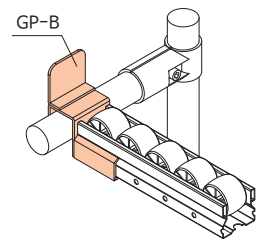
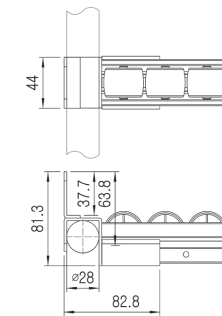
Bracket for 30X30 profile



### GP-B Roller Mounting Bracket / Tab Stop



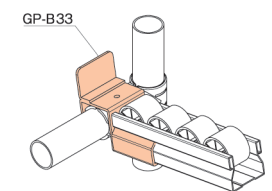
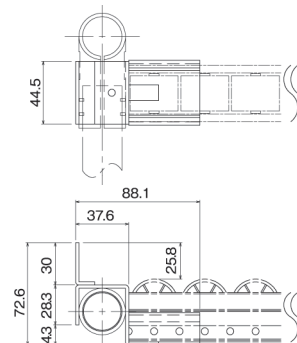
Material	Steel
Weight	0.157kg
Qty/Box	60pcs



### GP-B33 Roller Mounting Bracket / Tab Stop



Material	Steel
Weight	0.173kg
Qty/Box	50pcs

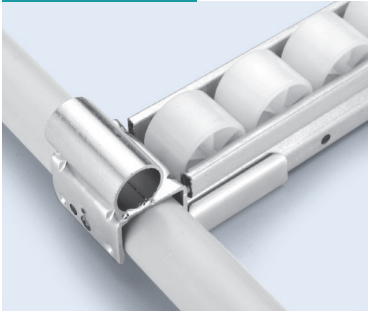


# ROLLER TRACKS

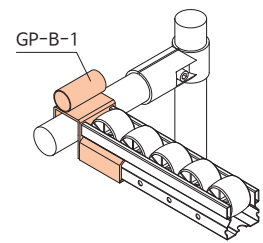
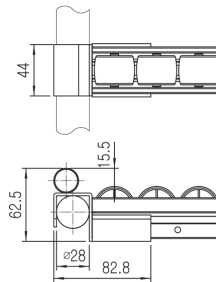
Surface Treatment-WZ

Unit : mm

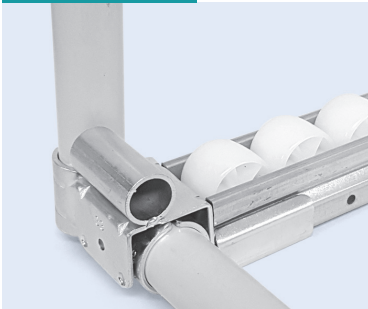
## GP-B-1 Roller Mounting Bracket / Tab Stop



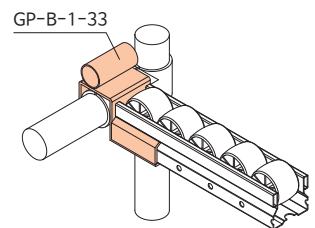
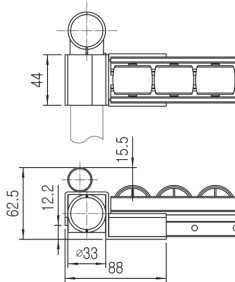
Material	Steel
Weight	0.174kg
Qty/Box	50pcs



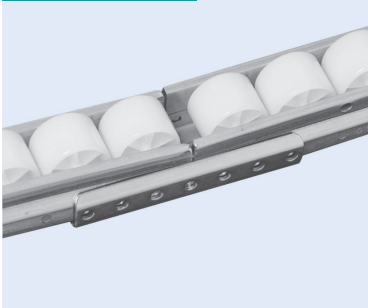
## GP-B-1-33 Roller Mounting Bracket / Tab Stop



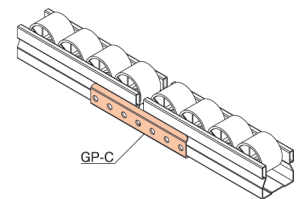
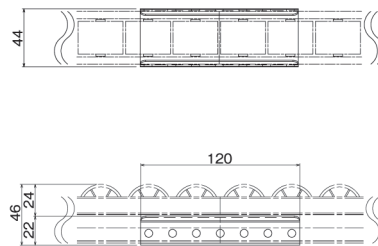
Material	Steel
Weight	0.174kg
Qty/Box	40pcs



## GP-C Roller Track Union



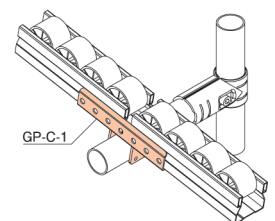
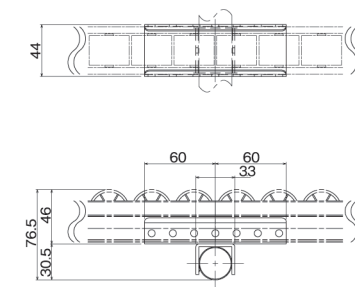
Material	Steel
Weight	0.121kg
Qty/Box	80pcs



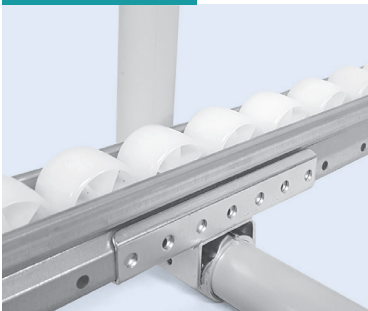
## GP-C-1 Roller Track Union / Center Support



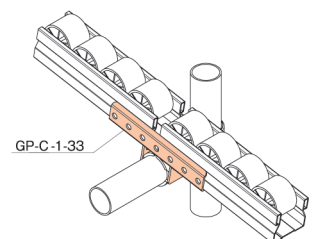
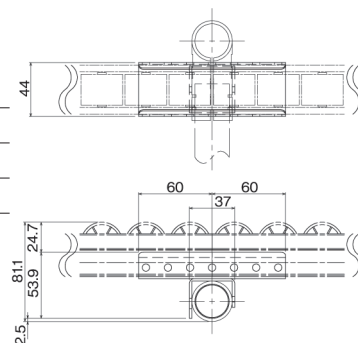
Material	Steel
Weight	0.170kg
Qty/Box	40pcs



## GP-C-1-33 Roller Track Union / Center Support



Material	Steel
Weight	0.170kg
Qty/Box	32pcs

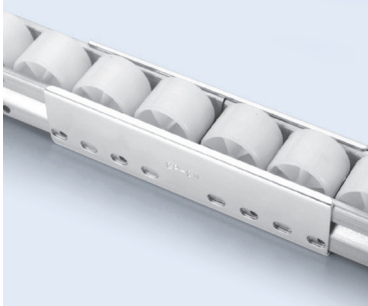


# ROLLER TRACKS

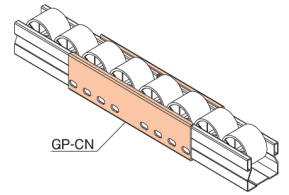
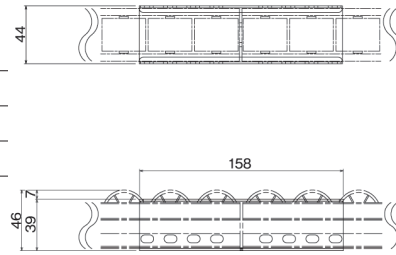
Surface Treatment-WZ

Unit : mm

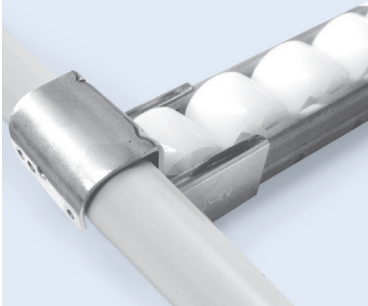
## GP-CN Roller Track Union



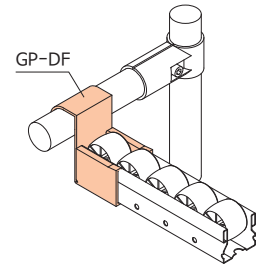
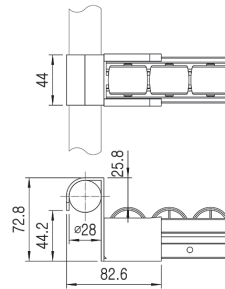
Material	Steel
Weight	0.232kg
Qty/Box	36pcs



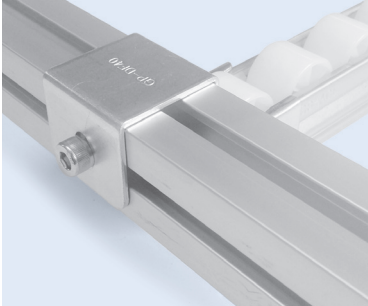
## GP-DF Roller Mounting Bracket / Drop Stop



Material	Steel
Weight	0.194kg
Qty/Box	50pcs

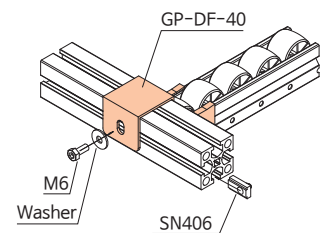
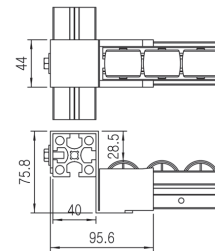


## GP-DF-40 Roller Mounting Bracket / Drop Stop



Material	Steel
Weight	0.220kg
Qty/Box	30pcs

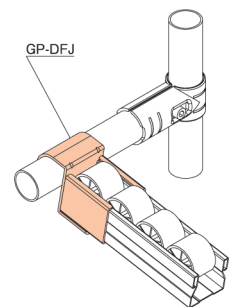
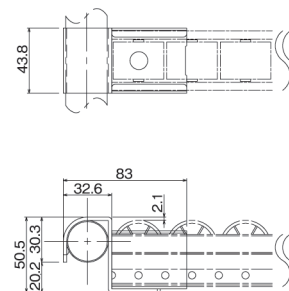
Bracket for 40X40 profile.



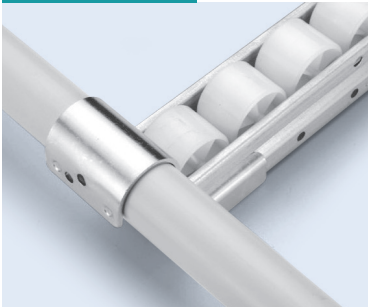
## GP-DFJ Roller Mounting Bracket



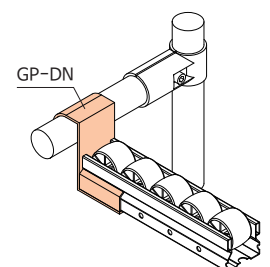
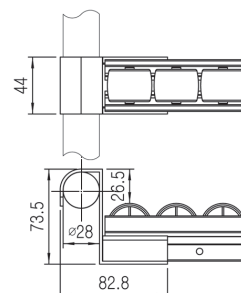
Material	Steel
Weight	0.194kg
Qty/Box	50pcs



## GP-DN Roller Mounting Bracket / Drop Stop



Material	Steel
Weight	0.160kg
Qty/Box	70pcs

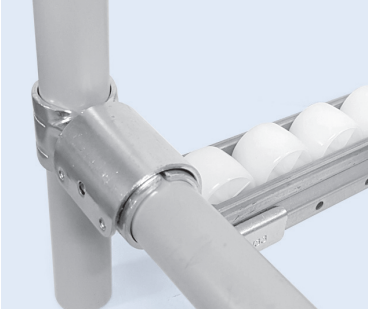


# ROLLER TRACKS

Surface Treatment-WZ

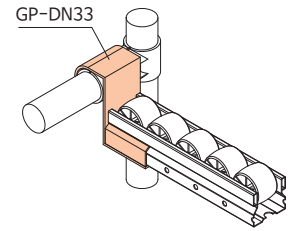
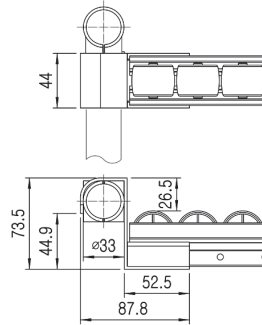
Unit : mm

## GP-DN33 Roller Mounting Bracket / Drop Stop

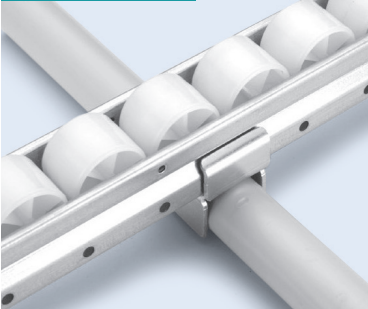


Material	Steel
Weight	0.165kg
Qty/Box	70pcs

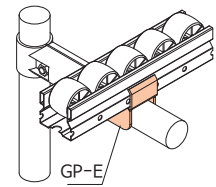
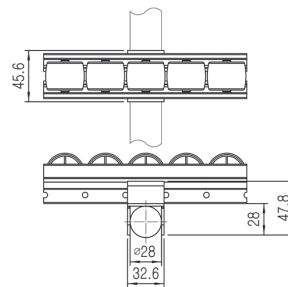
Bracket for assembling upper joint



## GP-E Roller Mounting Bracket / Center Support



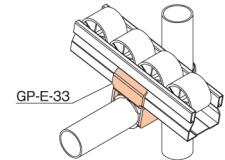
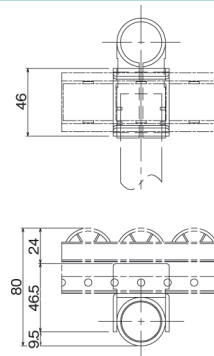
Material	Steel
Weight	0.079kg
Qty/Box	100pcs



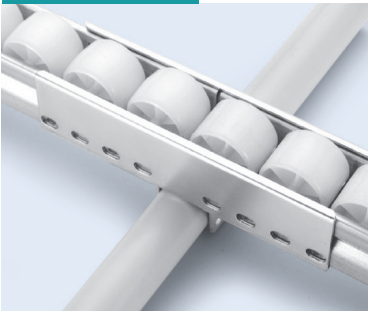
## GP-E-33 Roller Mounting Bracket / Center Support



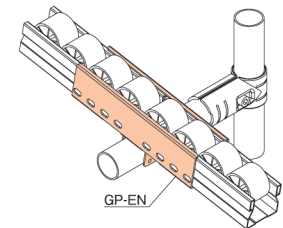
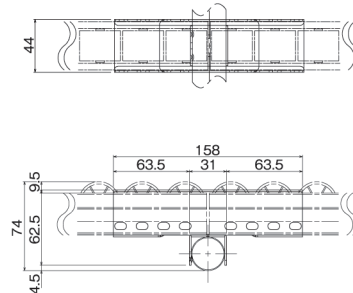
Material	Steel
Weight	0.085kg
Qty/Box	100pcs



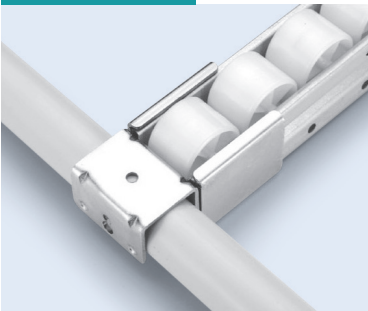
## GP-EN Roller Mounting Bracket / Center Support



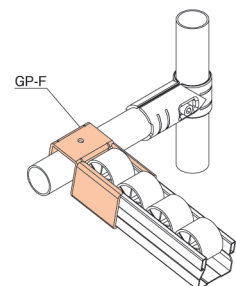
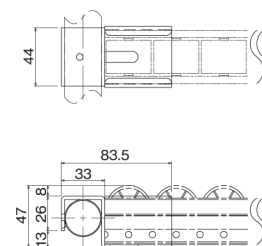
Material	Steel
Weight	0.217kg
Qty/Box	20pcs



## GP-F Roller Mounting Bracket



Material	Steel
Weight	0.175kg
Qty/Box	50pcs



# ROLLER TRACKS

Surface Treatment-WZ

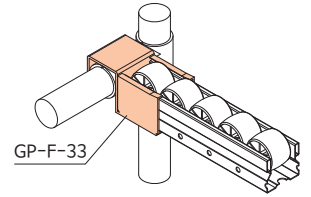
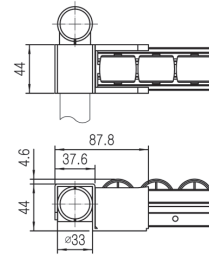
Unit : mm

## GP-F-33 Roller Mounting Bracket

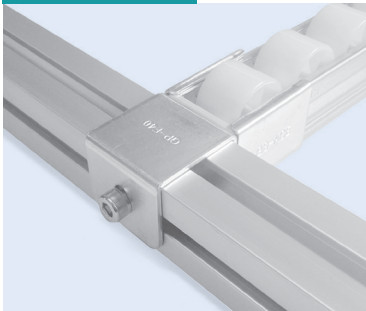


Material	Steel
Weight	0.190kg
Qty/Box	36pcs

Bracket for assembling upper joint

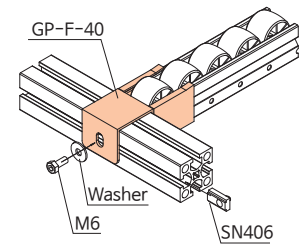
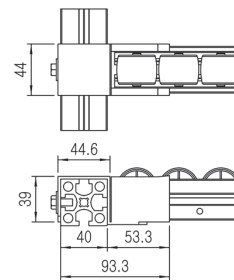


## GP-F-40 Roller Mounting Bracket

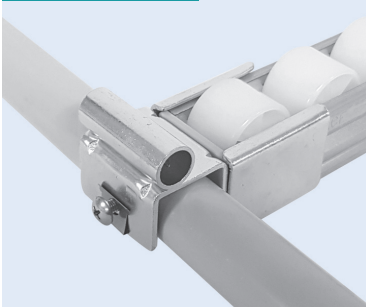


Material	Steel
Weight	0.200kg
Qty/Box	50pcs

Bracket for 40X40 profile

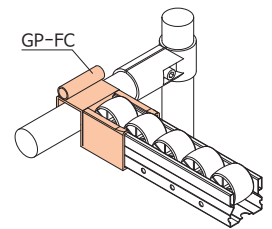
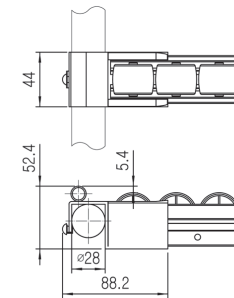


## GP-FC Roller Mounting Bracket / Tap Stop

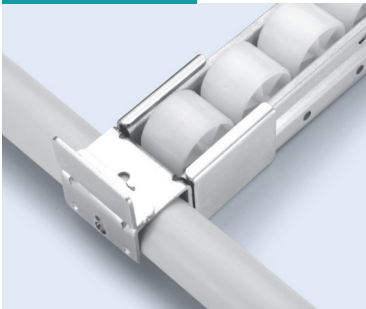


Material	Steel
Weight	0.200kg
Qty/Box	42pcs

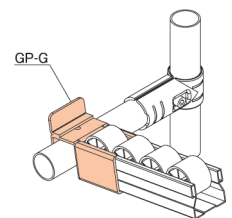
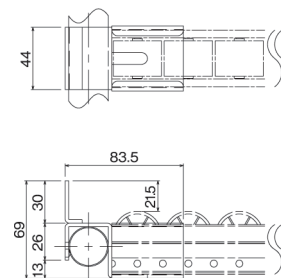
Installation location could be changed by using Bolt easily.



## GP-G Roller Mounting Bracket / Tap Stop



Material	Steel
Weight	0.205kg
Qty/Box	40pcs

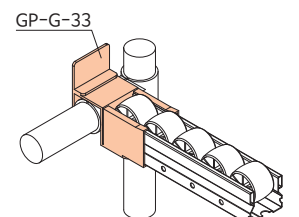
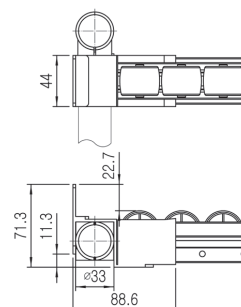


## GP-G-33 Roller Mounting Bracket



Material	Steel
Weight	0.220kg
Qty/Box	30pcs

Bracket for assembling upper joint

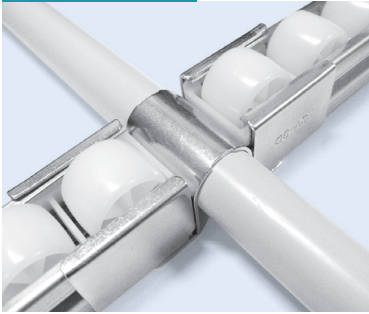


# ROLLER TRACKS

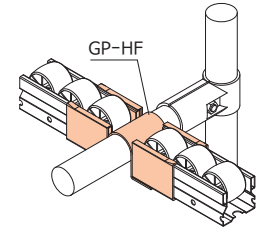
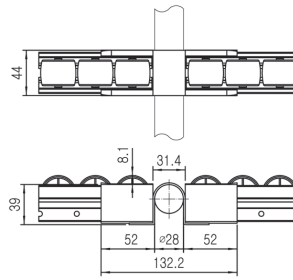
Surface Treatment-WZ

Unit : mm

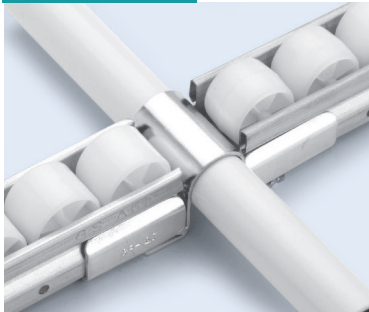
## GP-HF Roller Track Union



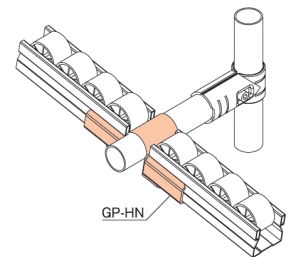
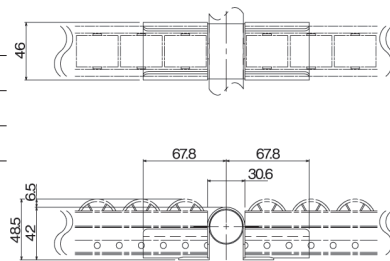
Material	Steel
Weight	0.230kg
Qty/Box	24pcs



## GP-HN Roller Track Union



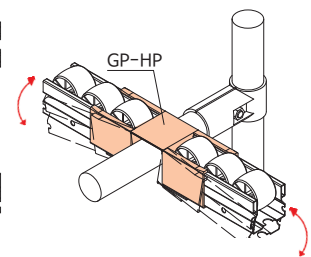
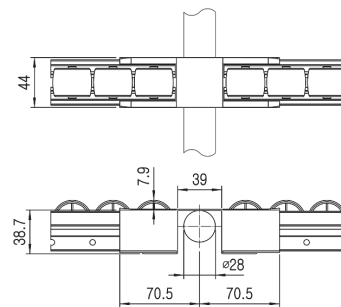
Material	Steel
Weight	0.279kg
Qty/Box	30pcs



## GP-HP Roller Track Union



Material	Steel
Weight	0.215kg
Qty/Box	24pcs

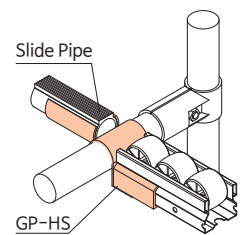
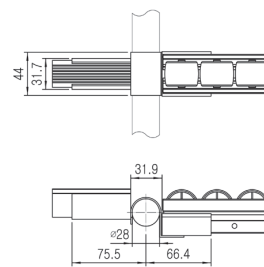


## GP-HS Adjustable Roller to Slide Pipe Union



Material	Steel
Weight	0.200kg
Qty/Box	20pcs

upper side of 40 series roller and slide pipe side is same.

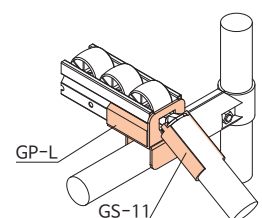
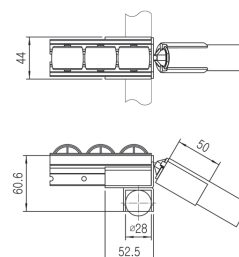


## GP-K Roller Mounting Bracket



Material	Steel
Weight	-
Qty/Box	-

Bracket for recline by using Slide pipe into Roller



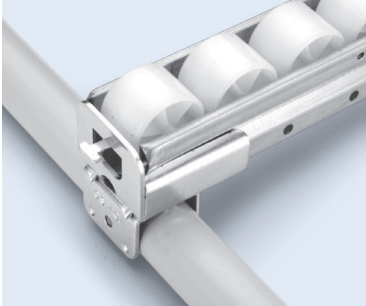


# ROLLER TRACKS

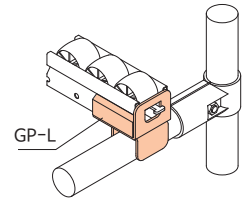
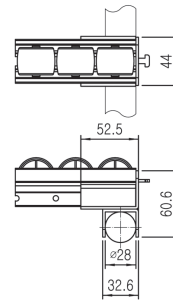
Surface Treatment-WZ

Unit : mm

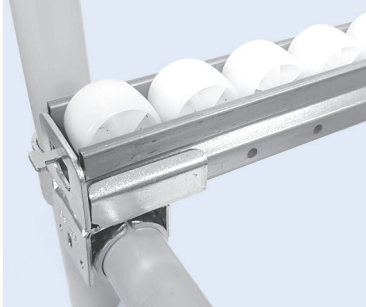
## GP-L Roller Mounting Bracket



Material	Steel
Weight	0.144kg
Qty/Box	60pcs

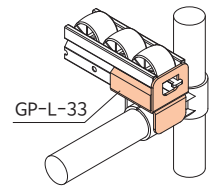
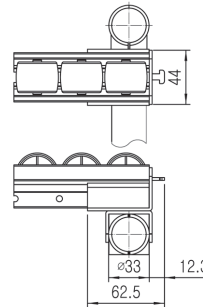


## GP-L-33 Roller Mounting Bracket

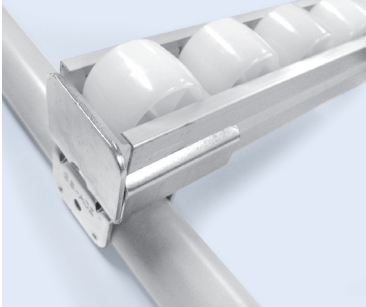


Material	Steel
Weight	0.150kg
Qty/Box	60 pcs

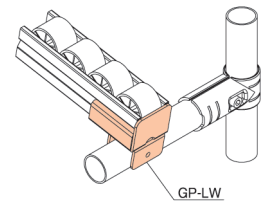
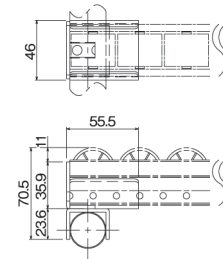
Bracket for assembling upper Joint



## GP-LW Roller Mounting Bracket



Material	Steel
Weight	0.144kg
Qty/Box	70 pcs

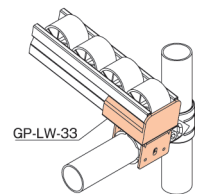
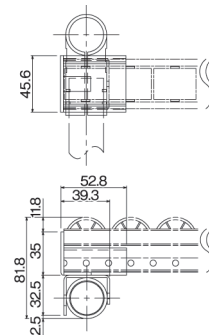


## GP-LW-33 Roller Mounting Bracket

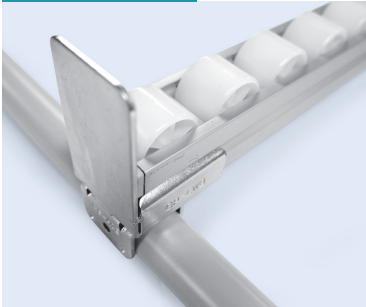


Material	Steel
Weight	0.150kg
Qty/Box	70pcs

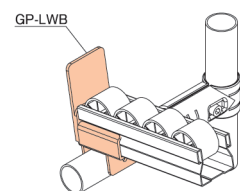
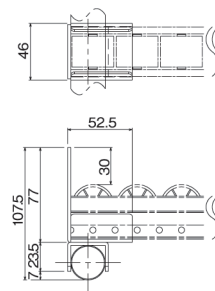
Bracket for assembling upper Joint



## GP-LWB Roller Mounting Bracket / Tap Stop



Material	Steel
Weight	0.180kg
Qty/Box	50pcs

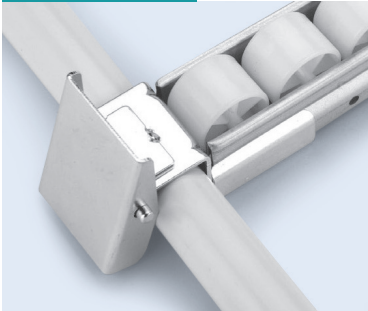


# ROLLER TRACKS

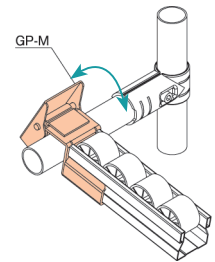
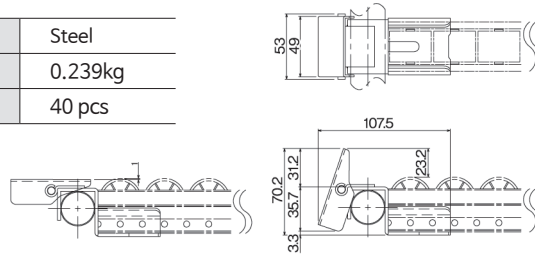
Surface Treatment-WZ

Unit : mm

## GP-M Roller Mounting Bracket



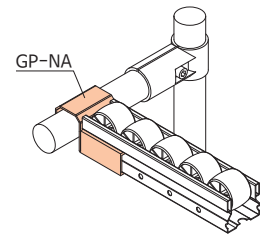
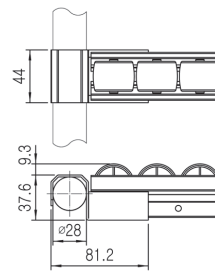
Material	Steel
Weight	0.239kg
Qty/Box	40 pcs



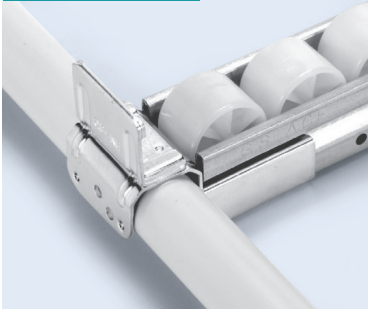
## GP-NA Roller Mounting Bracket



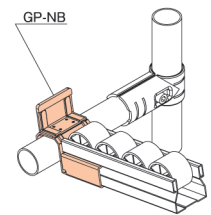
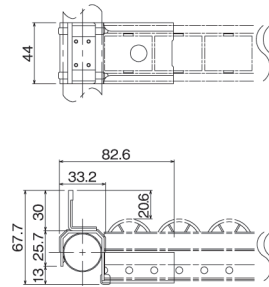
Material	Steel
Weight	0.100kg
Qty/Box	80 pcs



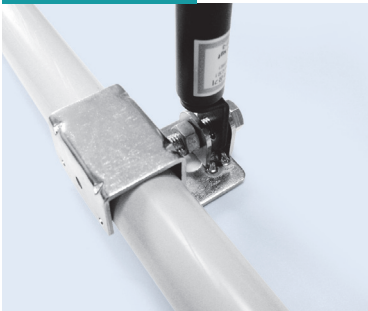
## GP-NB Roller Mounting Bracket / Tap Stop



Material	Steel
Weight	0.129kg
Qty/Box	60 pcs

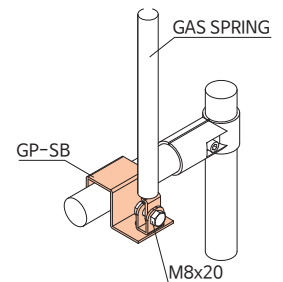
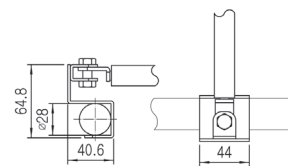


## GP-SB Absorber Mounting Bracket

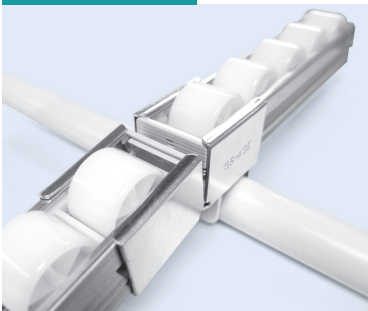


Material	Steel
Weight	0.107kg
Qty/Box	70pcs

Bracket for Gas spring

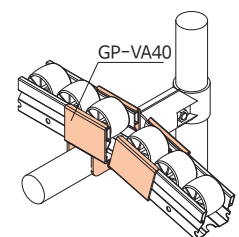
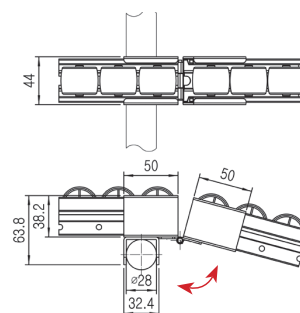


## GP-VA40 Roller Mounting Bracket



Material	Steel
Weight	0.220kg
Qty/Box	35pcs

Roller Track angle can be changed

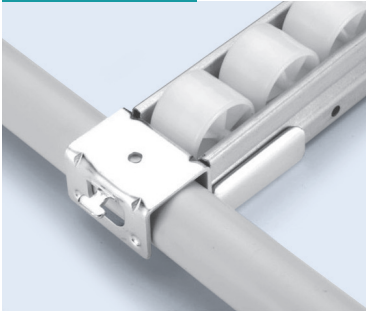


# ROLLER TRACKS

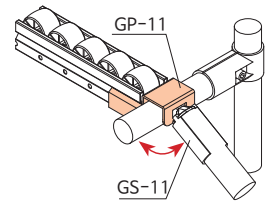
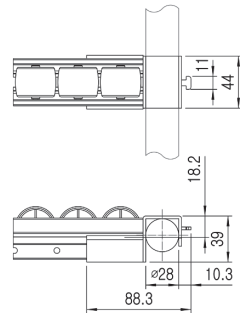
Surface Treatment-WZ

Unit : mm

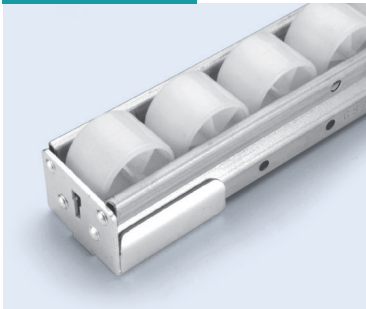
## GP-11 Adjustable Roller Union



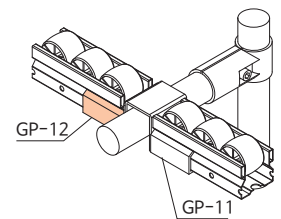
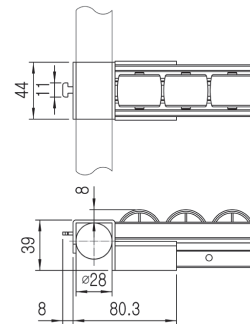
Material	Steel
Weight	0.131kg
Qty/Box	60 pcs



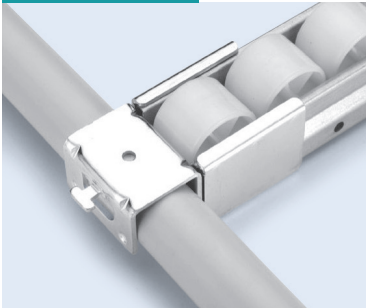
## GP-12 Adjustable Roller Union



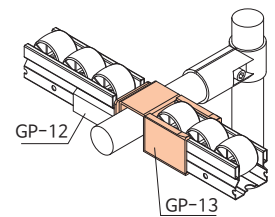
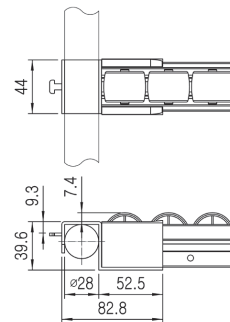
Material	Steel
Weight	0.096kg
Qty/Box	180pcs



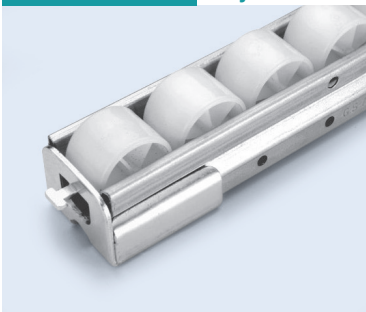
## GP-13 Adjustable Roller Union



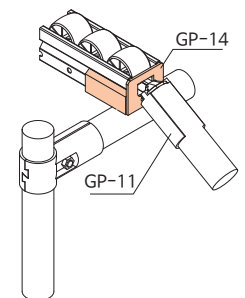
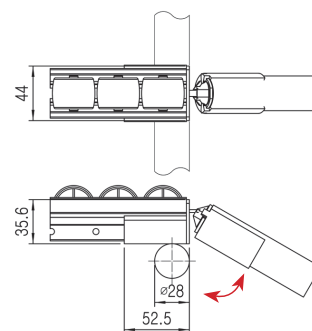
Material	Steel
Weight	0.173kg
Qty/Box	40pcs



## GP-14 Adjustable Roller Union



Material	Steel
Weight	0.096kg
Qty/Box	140pcs



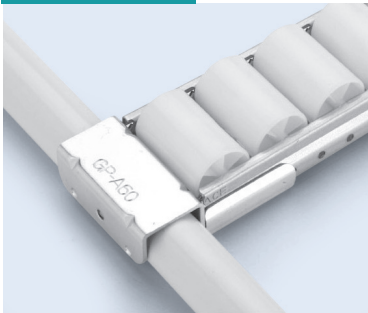
# ROLLER TRACKS

Surface Treatment-WZ

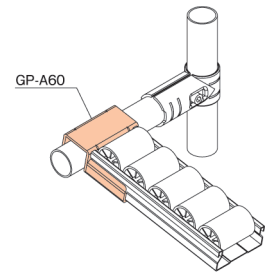
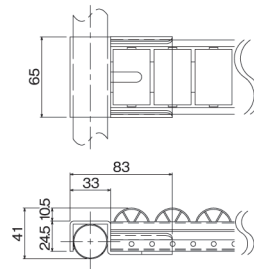
## ROLLER TRACK MOUNTING BRKT (60 Series)

Unit : mm

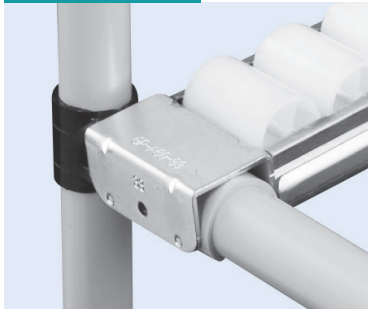
### GP-A60 Roller Mounting Bracket



Material	Steel
Weight	0.164kg
Qty/Box	60pcs

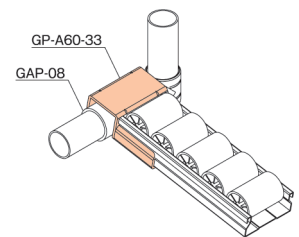
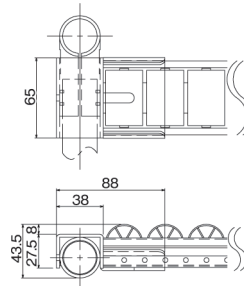


### GP-A60-33 Roller Mounting Bracket

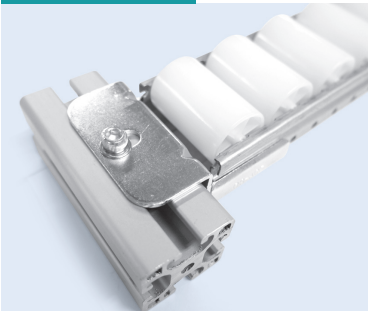


Material	Steel
Weight	0.164kg
Qty/Box	50pcs

Insert GAP-08 for preventing shaking

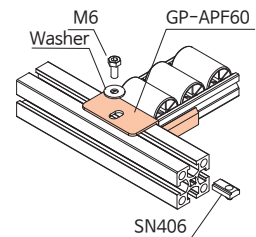
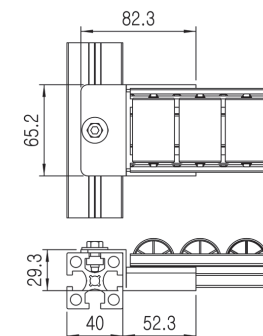


### GP-APF60 Roller Mounting Bracket

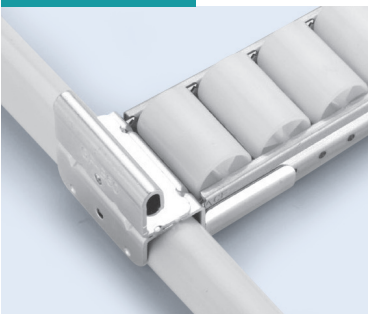


Material	Steel
Weight	0.140kg
Qty/Box	100pcs

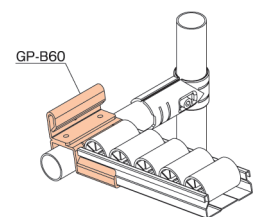
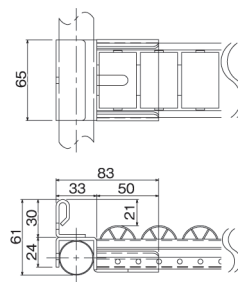
Bracket for 40X40 profile



### GP-B60 Roller Mounting Bracket / Tap Stop



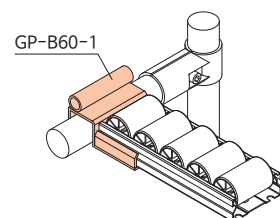
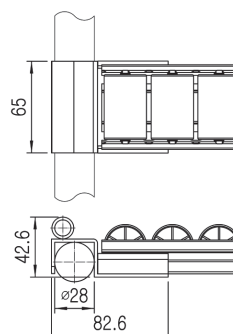
Material	Steel
Weight	0.250kg
Qty/Box	30pcs



### GP-B60-1 Roller Mounting Bracket / Tap Stop



Material	Steel
Weight	0.220kg
Qty/Box	30pcs

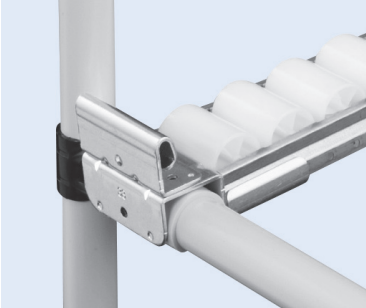


# ROLLER TRACKS

Surface Treatment-WZ

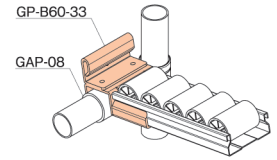
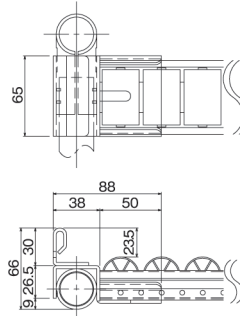
Unit : mm

## GP-B60-33 Roller Mounting Bracket /Tab Stop

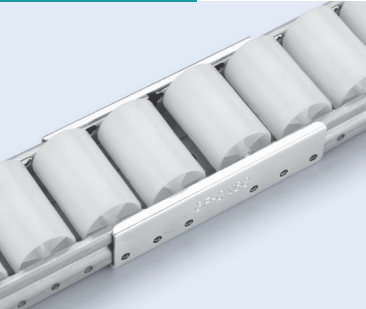


Material	Steel
Weight	0.250kg
Qty/Box	20pcs

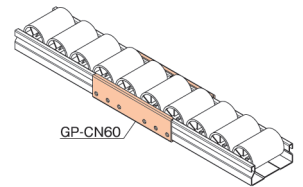
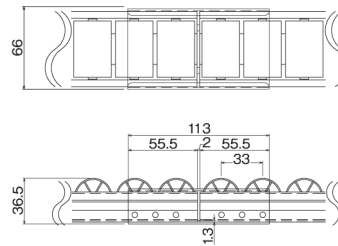
Insert GAP-08 for preventing shaking



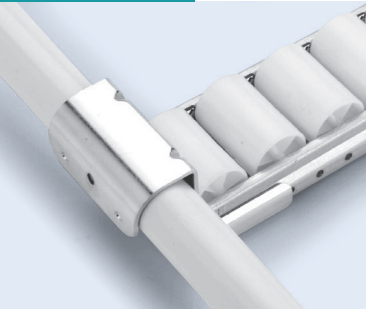
## GP-CN60 Roller Track Union



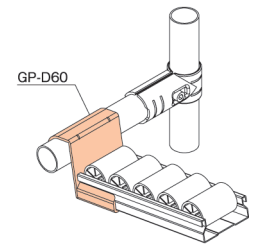
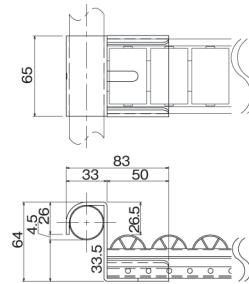
Material	Steel
Weight	0.168kg
Qty/Box	68pcs



## GP-D60 Roller Mounting Bracket / Drop Stop



Material	Steel
Weight	0.205kg
Qty/Box	40pcs

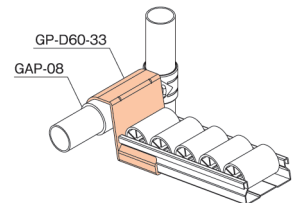
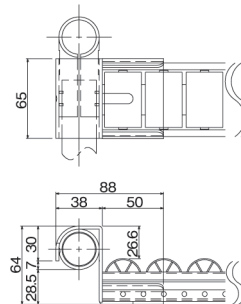


## GP-D60-33 Roller Mounting Bracket / Drop Stop



Material	Steel
Weight	0.205kg
Qty/Box	40pcs

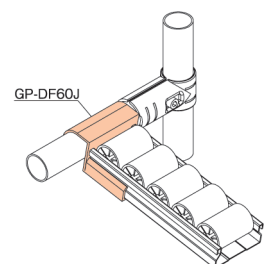
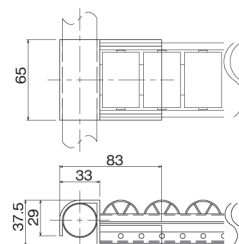
Insert GAP-08 for preventing shaking



## GP-DF60J Roller Mounting Bracket



Material	Steel
Weight	0.174kg
Qty/Box	40pcs

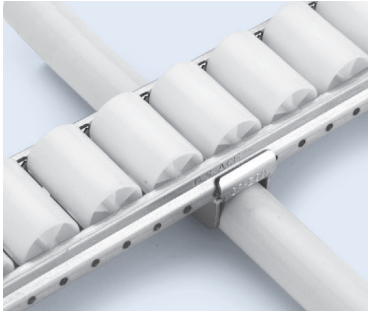


# ROLLER TRACKS

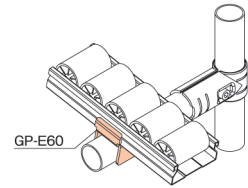
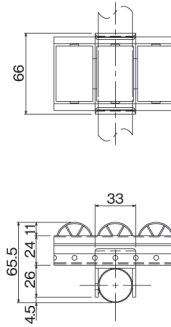
Surface Treatment-WZ

Unit : mm

## GP-E60 Roller Mounting Bracket / Center Support



Material	Steel
Weight	0.095kg
Qty/Box	100pcs

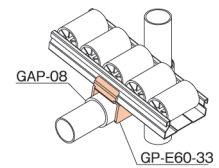
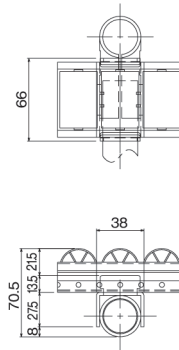


## GP-E60-33 Roller Mounting Bracket / Center Support

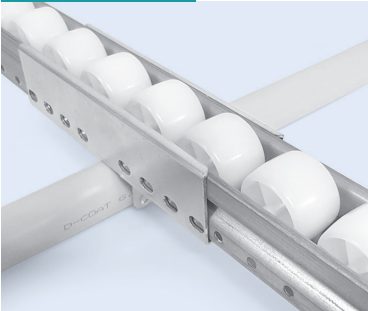


Material	Steel
Weight	0.095kg
Qty/Box	80pcs

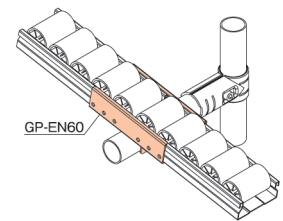
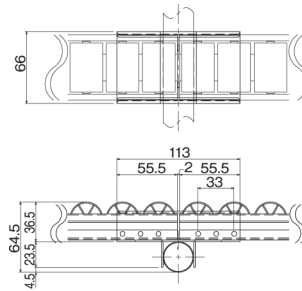
Insert GAP-08 for preventing shaking



## GP-EN60 Roller Track Union / Center Support



Material	Steel
Weight	0.158kg
Qty/Box	20pcs

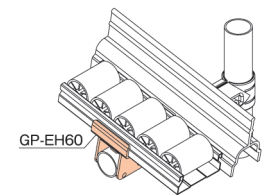
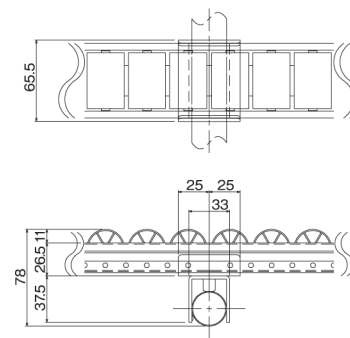


## GP-EH60 Roller Mounting Bracket / Center Support



Material	Steel
Weight	0.175kg
Qty/Box	50pcs

When using 40 series, like to use GP-60, IF USE GP-EH60, can be used same Roller Height

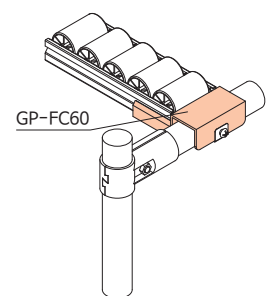
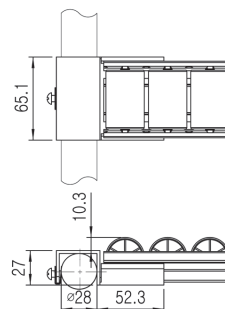


## GP-FC60 Roller Mounting Bracket



Material	Steel
Weight	0.168kg
Qty/Box	50pcs

The installation location can be changed easily by using screw.



# ROLLER TRACKS

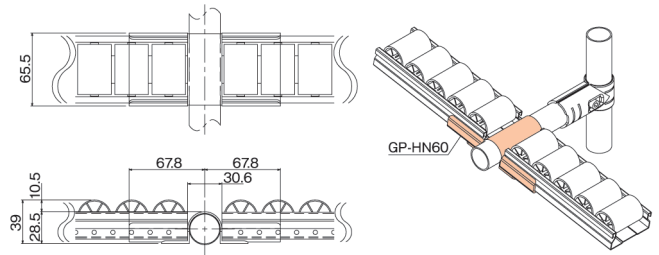
Surface Treatment-WZ

Unit : mm

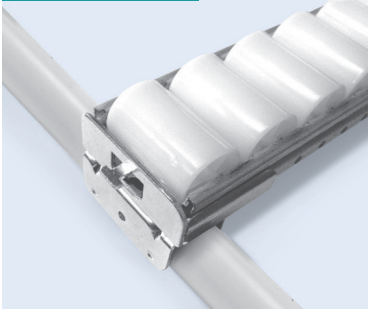
## GP-HN60 Roller Mounting Unoin



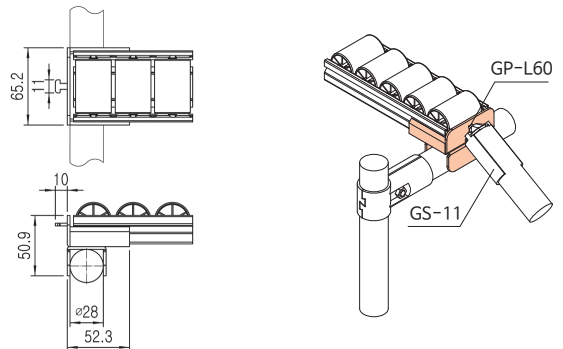
Material	Steel
Weight	0.254kg
Qty/Box	35pcs



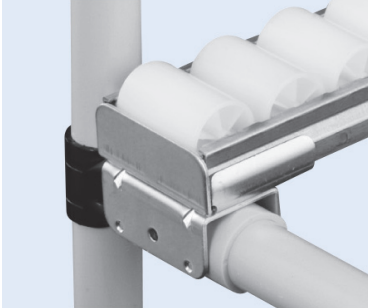
## GP-L60 Roller Mounting Bracket



Material	Steel
Weight	0.187kg
Qty/Box	30pcs

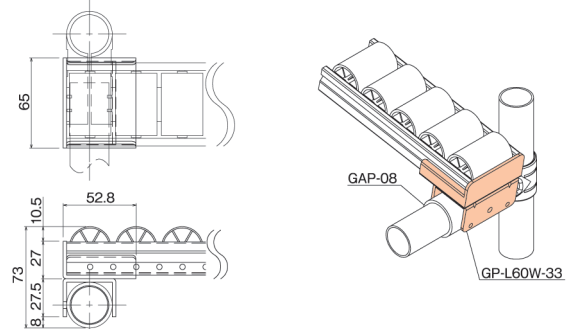


## GP-L60W-33 Roller Mounting Bracket

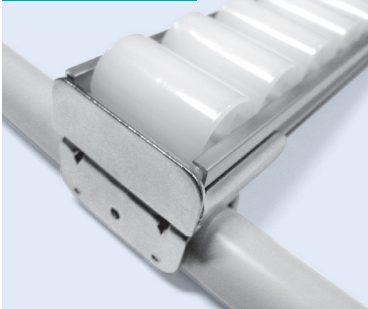


Material	Steel
Weight	0.187kg
Qty/Box	30pcs

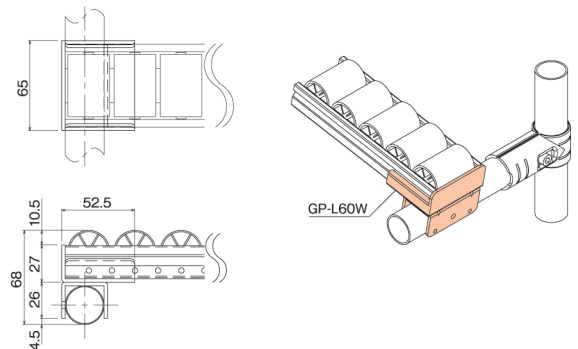
Insert GAP-08 for preventing shaking



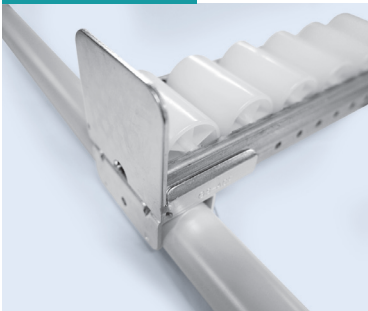
## GP-L60W Roller Mounting Bracket



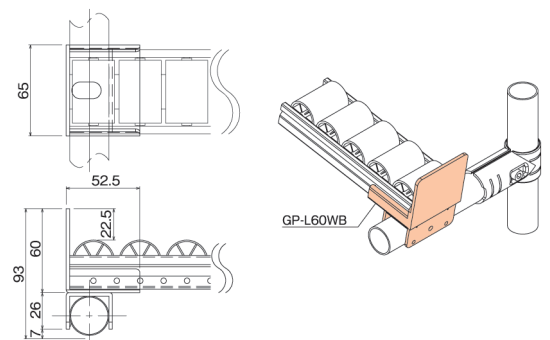
Material	Steel
Weight	0.187kg
Qty/Box	30pcs



## GP-L60WB Roller Mounting Bracket / Tap Stop



Material	Steel
Weight	0.220kg
Qty/Box	40pcs

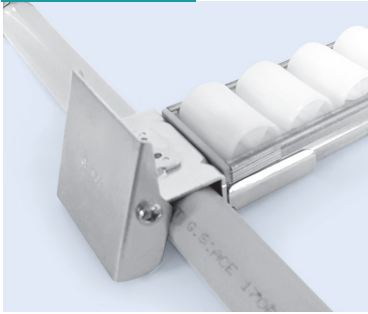


# ROLLER TRACKS

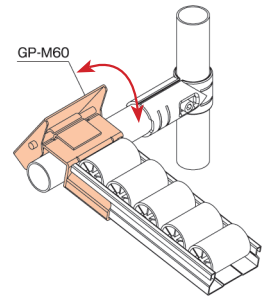
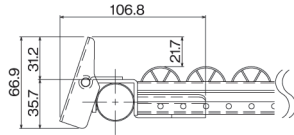
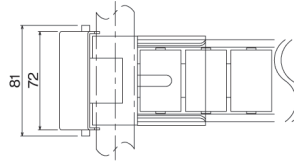
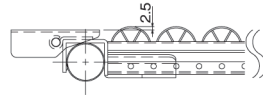
Surface Treatment-WZ

Unit : mm

## GP-M60 Roller Mounting Bracket



Material	Steel
Weight	0.280kg
Qty/Box	30pcs





# ROLLER TRACKS

Surface Treatment-WZ

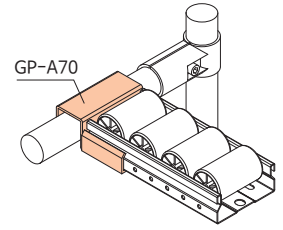
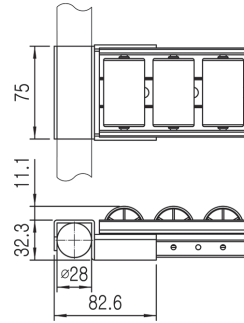
## ROLLER TRACK MOUNTING BRKT (70 Series)

Unit : mm

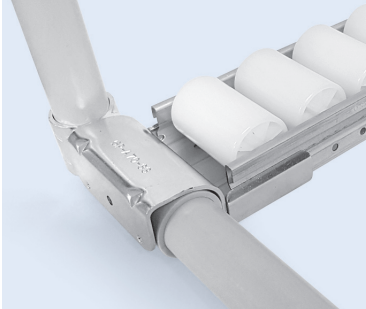
### GP-A70 Roller Mounting Bracket



Material	Steel
Weight	0.204kg
Qty/Box	50pcs

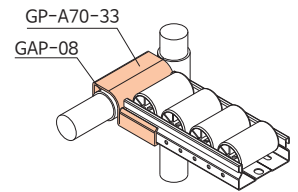
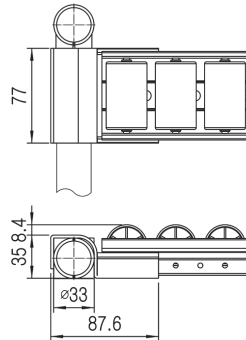


### GP-A70-33 Roller Mounting Bracket



Material	Steel
Weight	0.204kg
Qty/Box	40pcs

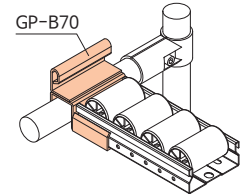
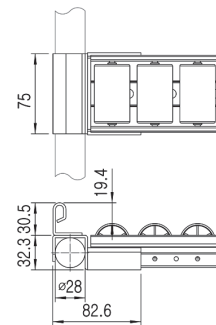
Insert GAP-08 for preventing shaking



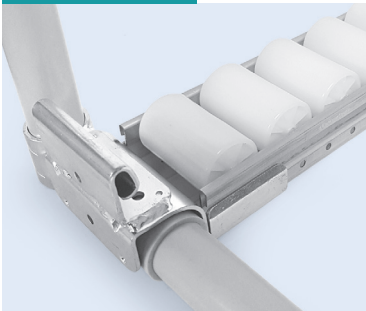
### GP-B70 Roller Mounting Bracket / Tap Stop



Material	Steel
Weight	0.280kg
Qty/Box	30pcs

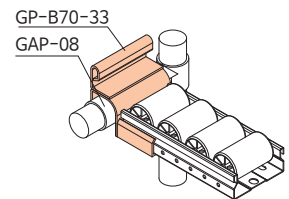
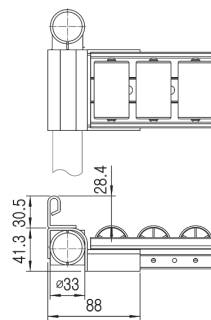


### GP-B70-33 Roller Mounting Bracket



Material	Steel
Weight	0.280kg
Qty/Box	20pcs

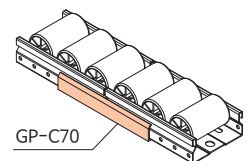
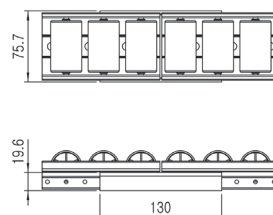
Insert GAP-08 for preventing shaking



### GP-C70 Roller Track Union



Material	Steel
Weight	0.180kg
Qty/Box	36pcs

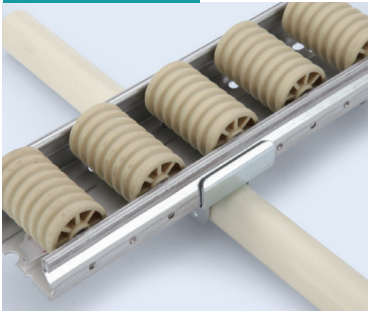


# ROLLER TRACKS

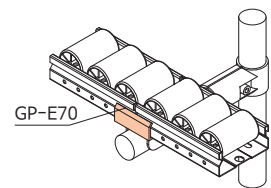
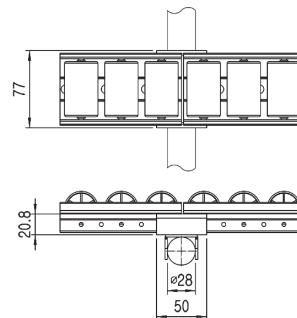
Surface Treatment-WZ

Unit : mm

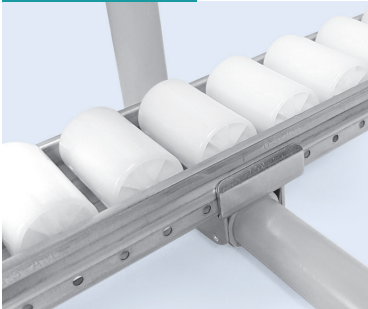
## GP-E70 Roller Mounting Bracket / Center Support



Material	Steel
Weight	0.170kg
Qty/Box	60pcs

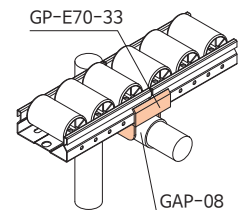
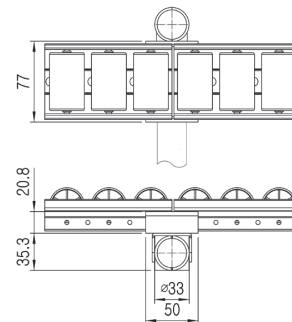


## GP-E70-33 Roller Mounting Bracket / Center Support



Material	Steel
Weight	0.170kg
Qty/Box	50pcs

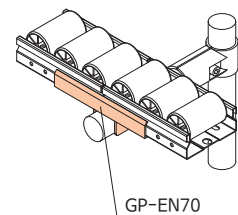
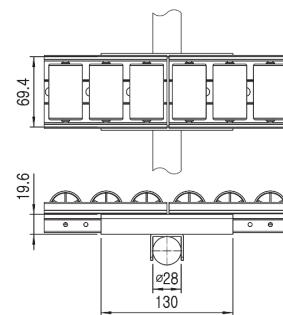
Insert GAP-08 for preventing shaking



## GP-EN70 Roller Mounting Bracket



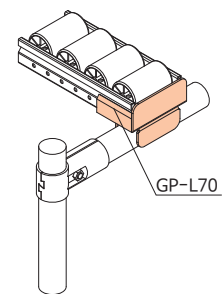
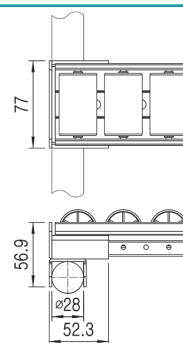
Material	Steel
Weight	0.265kg
Qty/Box	12pcs



## GP-L70 Roller Mounting Bracket



Material	Steel
Weight	0.209kg
Qty/Box	60pcs

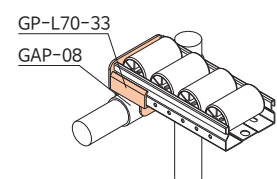
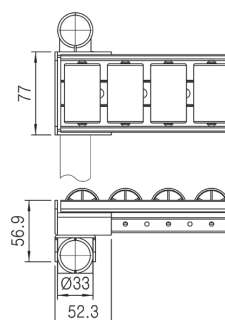


## GP-L70-33 Roller Mounting Bracket



Material	Steel
Weight	0.209kg
Qty/Box	50pcs

Insert GAP-08 for preventing shaking

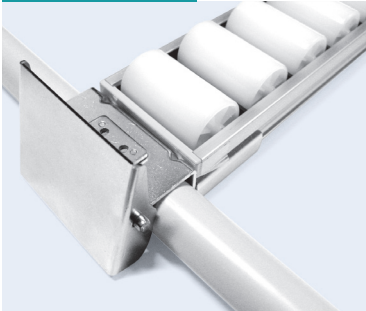


# ROLLER TRACKS

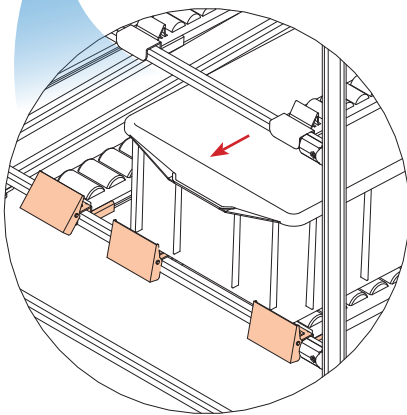
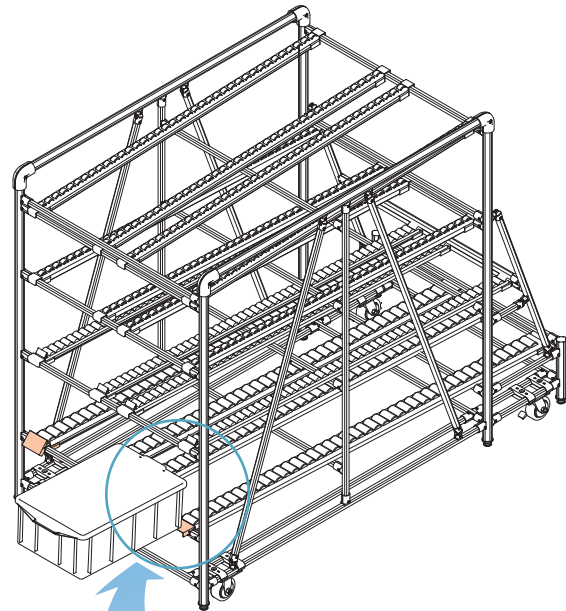
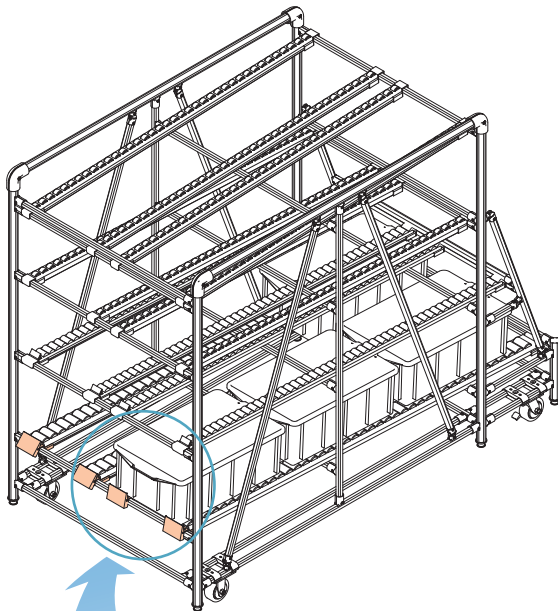
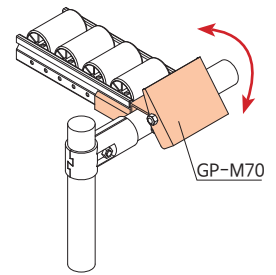
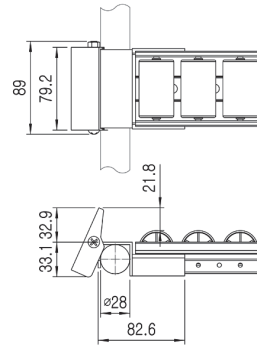
Surface Treatment-WZ

Unit : mm

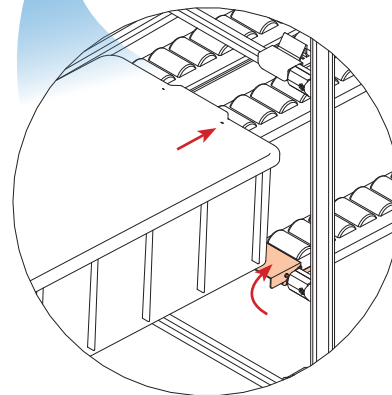
## GP-M70 Roller Mounting Bracket



Material	Steel
Weight	0.330kg
Qty/Box	20pcs



Prevention from dropping due to the Box pushing



Easily insert box

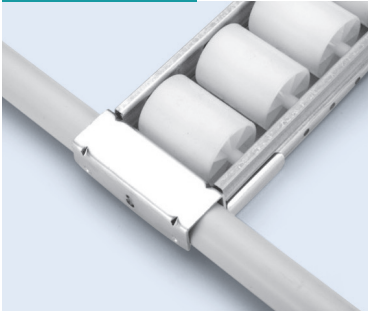
# ROLLER TRACKS

Surface Treatment-WZ

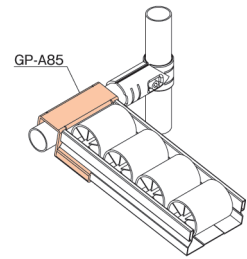
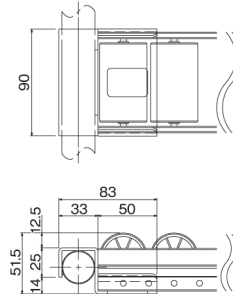
## ROLLER TRACK MOUNTING BRKT (85 Series)

Unit : mm

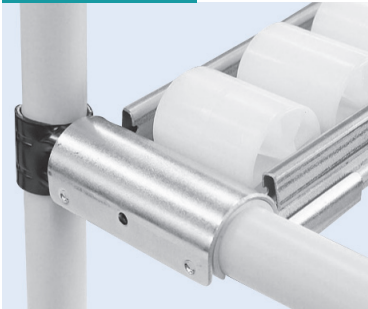
### GP-A85 Roller Mounting Bracket



Material	Steel
Weight	0.205kg
Qty/Box	40pcs

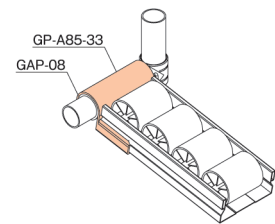
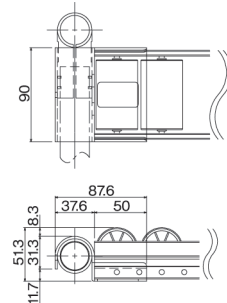


### GP-A85-33 Roller Mounting Bracket



Material	Steel
Weight	0.205kg
Qty/Box	40pcs

Insert GAP-08 for preventing shaking

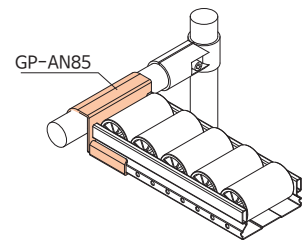
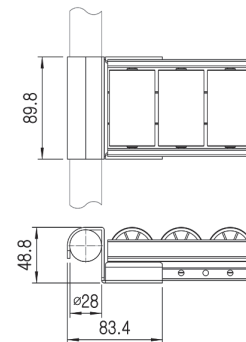


### GP-AN85 Roller Mounting Bracket / Drop Stop

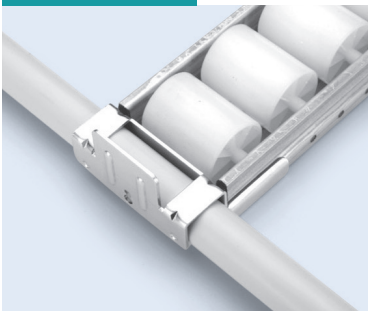


Material	Steel
Weight	0.253kg
Qty/Box	40pcs

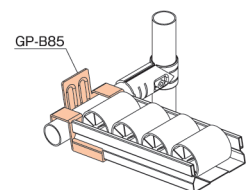
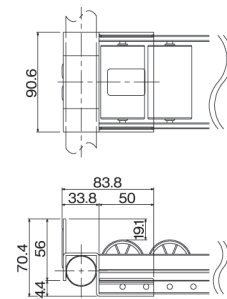
The Roller and Bracket height is same



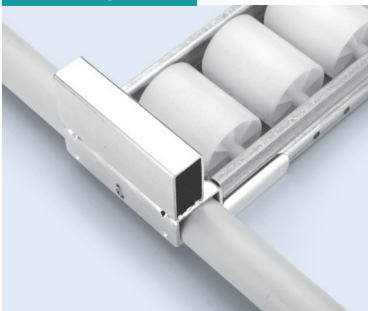
### GP-B85 Roller Mounting Bracket / Tap Stop



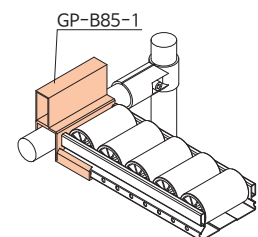
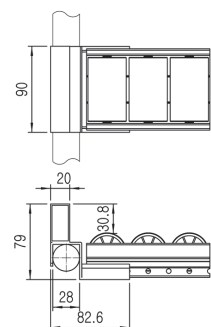
Material	Steel
Weight	0.300kg
Qty/Box	30pcs



### GP-B85-1 Roller Mounting Bracket / Tab Stop



Material	Steel
Weight	0.318kg
Qty/Box	20pcs

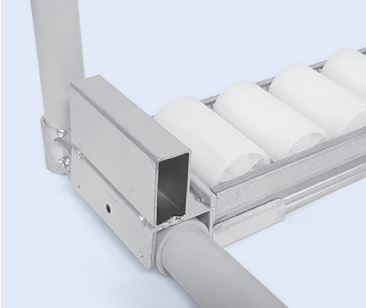


# ROLLER TRACKS

Surface Treatment-WZ

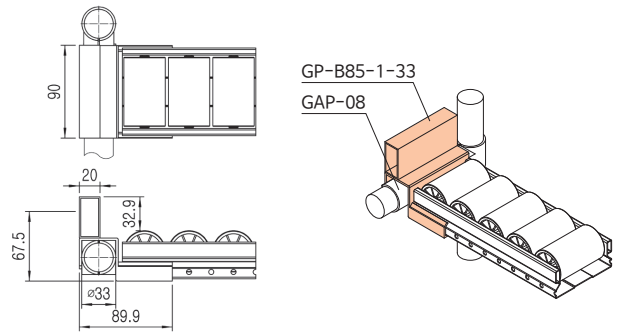
Unit : mm

## GP-B85-1-33 Roller Mounting Bracket / Tap Stop

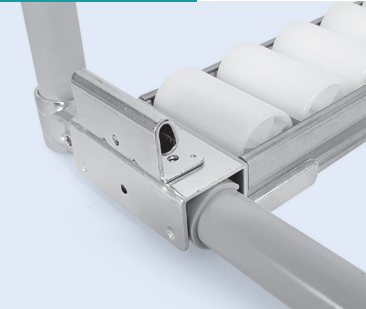


Material	Steel
Weight	0.318kg
Qty/Box	20pcs

Insert GAP-08 for preventing shaking

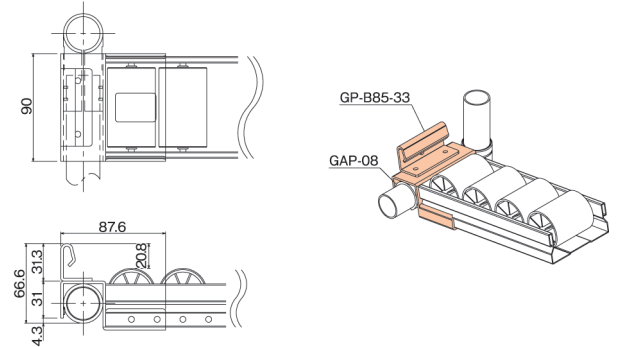


## GP-B85-33 Roller Mounting Bracket / Tap Stop

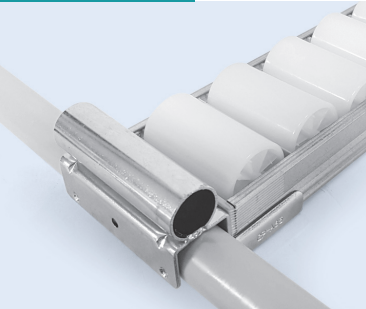


Material	Steel
Weight	0.300kg
Qty/Box	20pcs

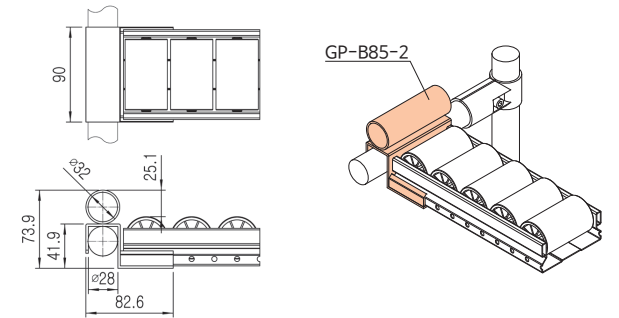
Insert GAP-08 for preventing shaking



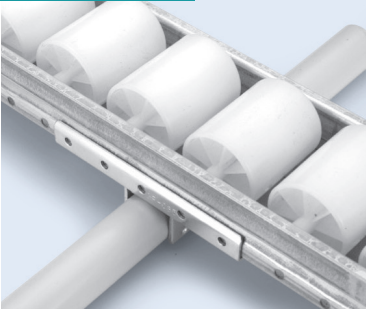
## GP-B85-2 Roller Mounting Bracket / Tap Stop



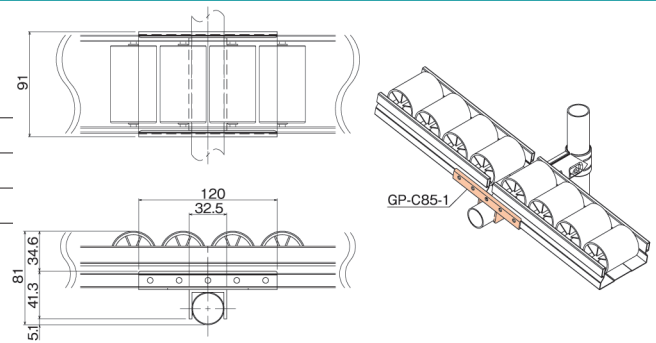
Material	Steel
Weight	0.300kg
Qty/Box	20pcs



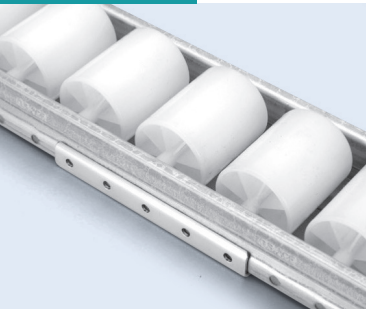
## GP-C85-1 Roller Track Union / Center Support



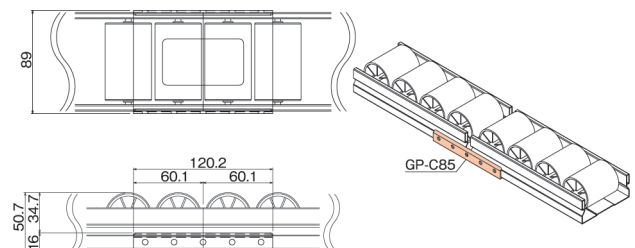
Material	Steel
Weight	0.243kg
Qty/Box	20pcs



## GP-C85 Roller Track Union



Material	Steel
Weight	0.140kg
Qty/Box	70pcs



# ROLLER TRACKS

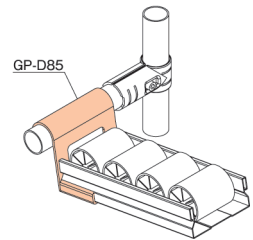
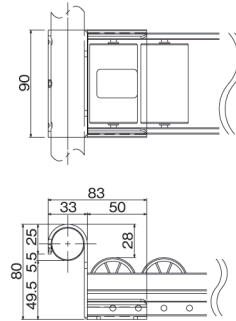
Surface Treatment-WZ

Unit : mm

## GP-D85 Roller Mounting Bracket / Drop Stop



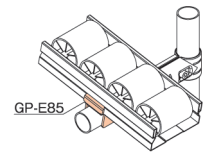
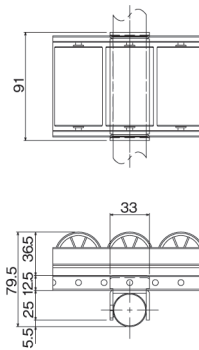
Material	Steel
Weight	0.235kg
Qty/Box	30pcs



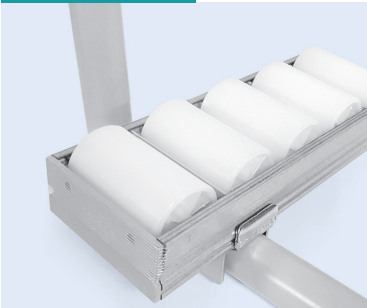
## GP-E85 Roller Mounting Bracket / Center Support



Material	Steel
Weight	0.124kg
Qty/Box	80pcs

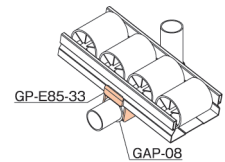
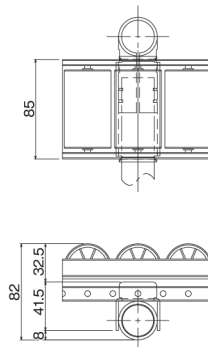


## GP-E85-33 Roller Mounting Bracket / Center Support

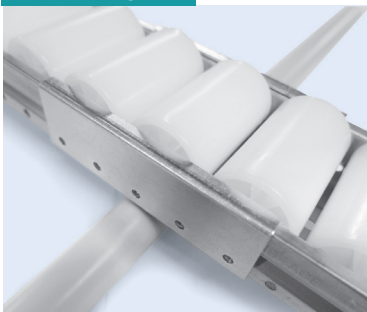


Material	Steel
Weight	0.124kg
Qty/Box	60pcs

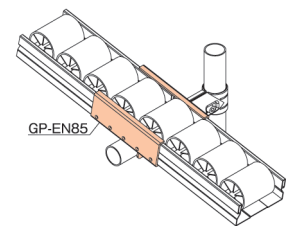
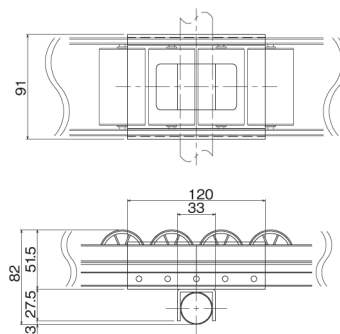
Insert GAP-08 for preventing shaking



## GP-EN85 Roller Track Union / Center Support



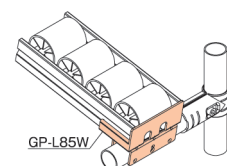
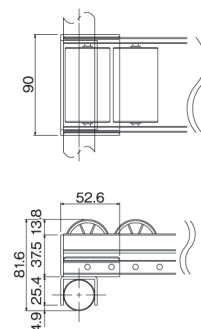
Material	Steel
Weight	0.414kg
Qty/Box	12pcs



## GP-L85W Roller Mounting Bracket



Material	Steel
Weight	0.264kg
Qty/Box	24pcs

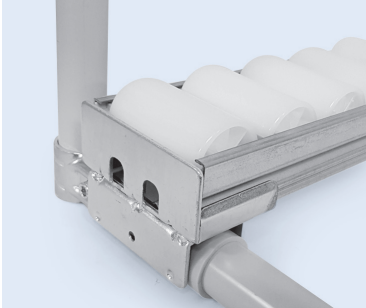


# ROLLER TRACKS

Surface Treatment-WZ

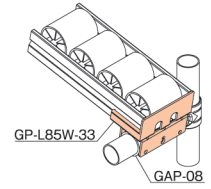
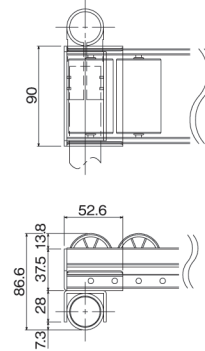
Unit : mm

## GP-L85W-33 Roller Mounting Bracket

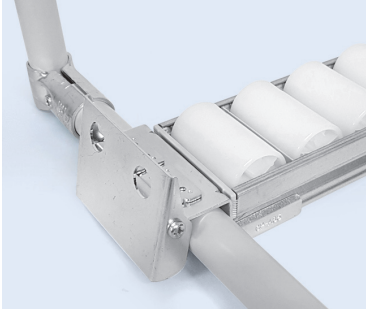


Material	Steel
Weight	0.265kg
Qty/Box	24ps

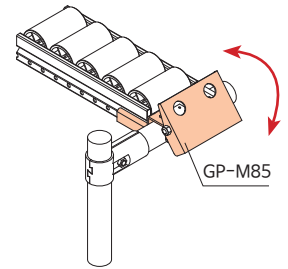
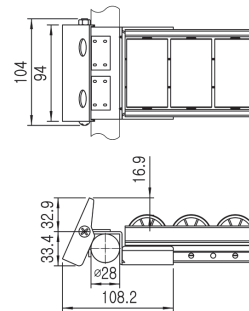
Insert GAP-08 for preventing shaking



## GP-M85 Roller Mounting Bracket



Material	Steel
Weight	0.410kg
Qty/Box	20pcs

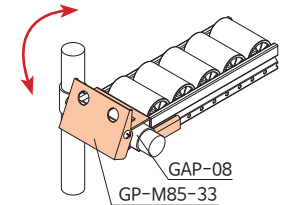
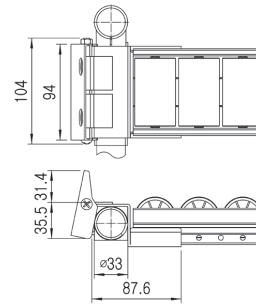


## GP-M85-33 Roller Mounting Bracket



Material	Steel
Weight	0.442kg
Qty/Box	20pcs

Insert GAP-08 for preventing shaking



# ROLLER TRACKS

## ROLLER TRACK CAP

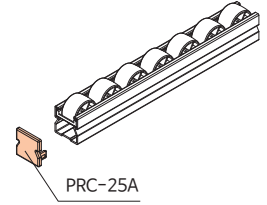
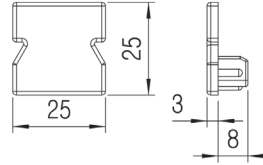
Unit : mm

### PRC-25A Roller Track Cap



Material	ABS
Weight	0.002kg
Qty/Box	1,500pcs

Recycle Roller 25 series for AL Body

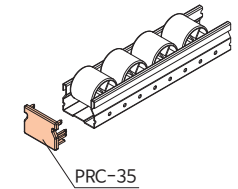
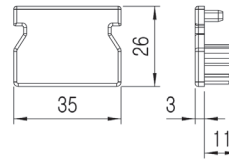


### PRC-35 Roller Track Cap

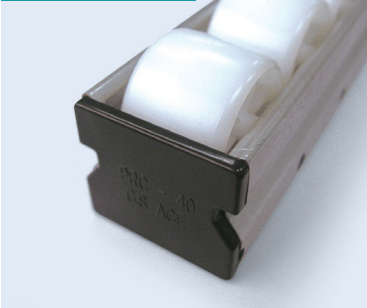


Material	ABS
Weight	0.004kg
Qty/Box	1,000pcs

Roller Track 35 Series for normal type

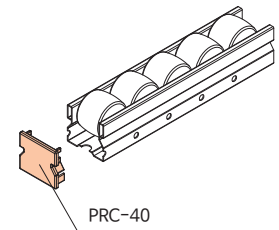
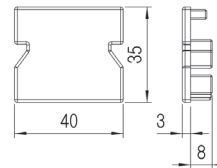


### PRC-40 Roller Track Cap



Material	ABS
Weight	0.005kg
Qty/Box	1,000pcs

Roller Track 40 Series for normal type

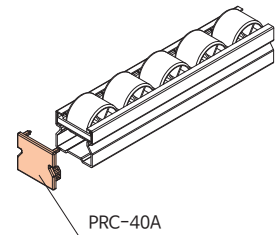
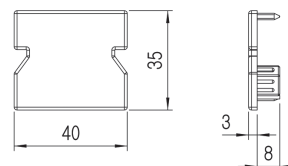


### PRC-40A Roller Track Cap



Material	ABS
Weight	0.005kg
Qty/Box	1,000pcs

Recycle Roller 40 Series for AL Body

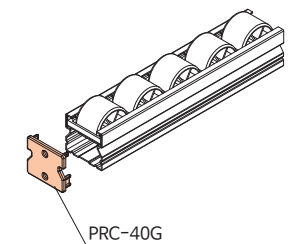
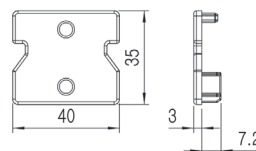


### PRC-40G Roller Track Cap



Material	ABS
Weight	0.005kg
Qty/Box	1,000pcs

Recycle Roller 40 Series for GI Body

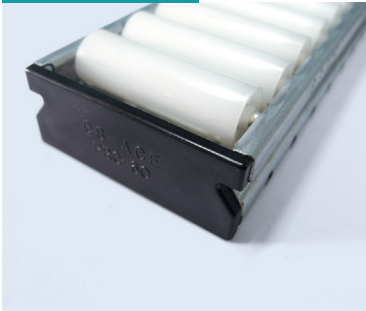




# ROLLER TRACKS

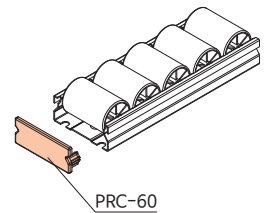
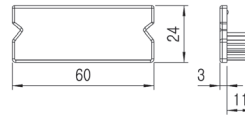
Unit : mm

## PRC-60 Roller Track Cap



Material	ABS
Weight	0.006kg
Qty/Box	600pcs

Roller Track 60 Series for GI Body

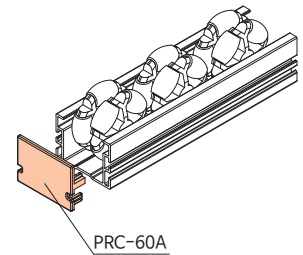
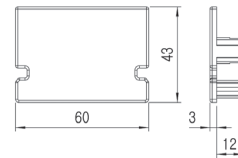


## PRC-60A Roller Track Cap



Material	ABS
Weight	0.006kg
Qty/Box	600pcs

Universal Roller UR-6067 type

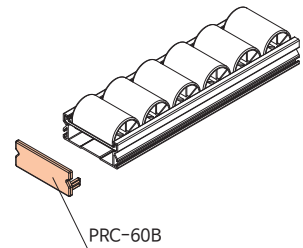
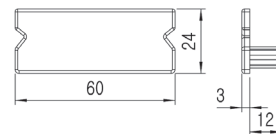


## PRC-60B Roller Track Cap



Material	ABS
Weight	0.006kg
Qty/Box	600pcs

Recycle Roller 60 Series for AL Body

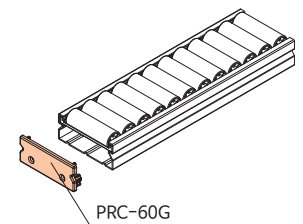
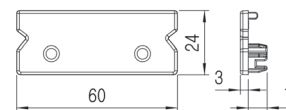


## PRC-60G Roller Track Cap



Material	ABS
Weight	0.006kg
Qty/Box	600pcs

Recycle Roller 60 Series for GI Body

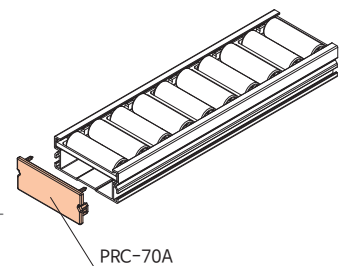
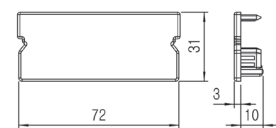


## PRC-70A Roller Track Cap



Material	ABS
Weight	0.008kg
Qty/Box	600pcs

Recycle Roller 70 Series for AL Body



# ROLLER TRACKS

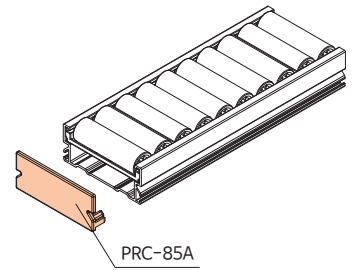
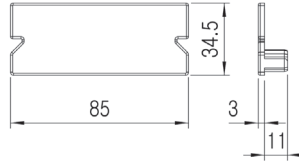
Unit : mm

## PRC-85A Roller Track Cap



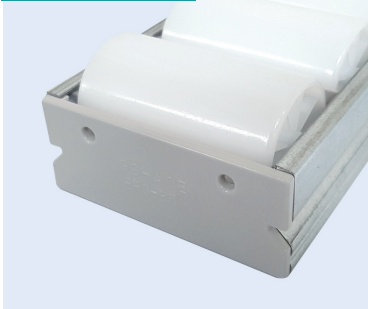
Material	ABS
Weight	0.010kg
Qty/Box	400pcs

Recycle Roller 85 Series  
for AL Body



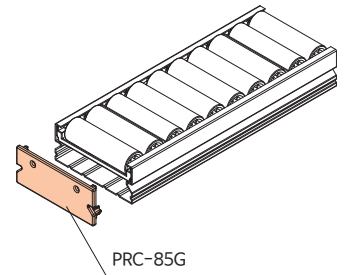
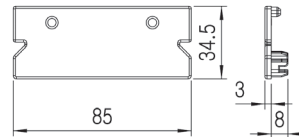
PRC-85A

## PRC-85G Roller Track Cap



Material	ABS
Weight	0.010kg
Qty/Box	400pcs

Recycle Roller 85 Series  
for GI Body



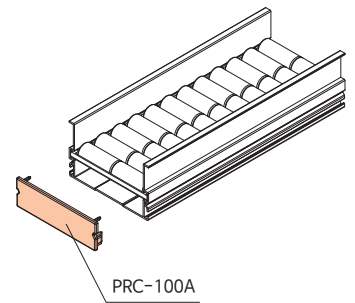
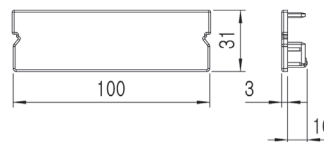
PRC-85G

## PRC-100A Roller Track Cap



Material	ABS
Weight	0.011kg
Qty/Box	400pcs

Recycle Roller 100 Series  
for AL Body



PRC-100A



# ACCESSORIES



MOUNTING BRACKETS  
(SLIDE PIPE SERIES)

OTHERS

NAME-PLATE

LABEL CASE

PLASTIC GUIDE

AL BOX GUIDE

PLASTIC CHANNEL

LEVELING FEET

THREADED INSERT & INNER CAP

FASTENERS

# ACCESSORIES SLIDE PIPE MOUNTING BRACKET

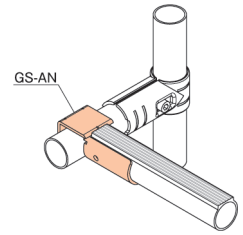
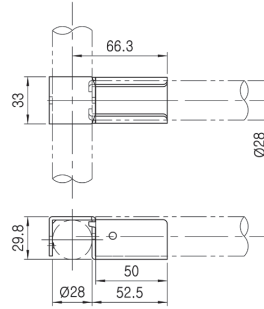
\* Surface Treatment - WZ

Unit : mm

## GS-AN Slide Pipe Mount



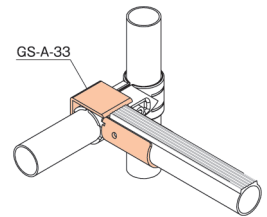
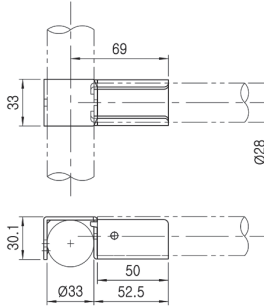
Material	Steel
Weight	0.106kg
Q'ty/Box	100pcs



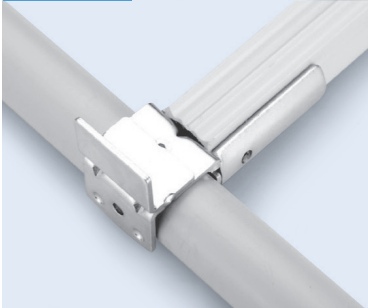
## GS-A-33 Slide Pipe Mount



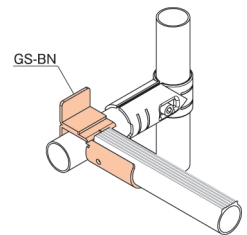
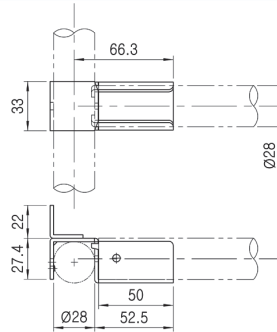
Material	Steel
Weight	0.106kg
Q'ty/Box	80pcs



## GS-BN Slide Pipe Mount / Tap Stop



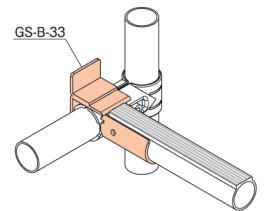
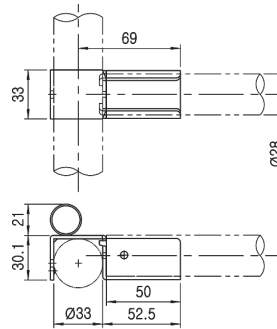
Material	Steel
Weight	0.130kg
Q'ty/Box	70pcs



## GS-B-33 Slide Pipe Mount / Tap Stop



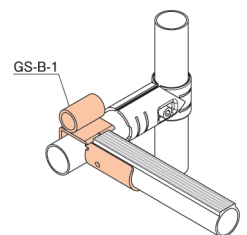
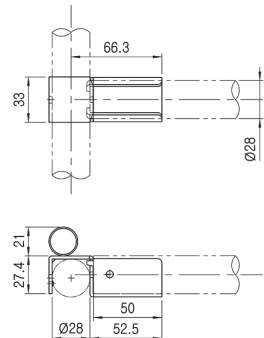
Material	Steel
Weight	0.130kg
Q'ty/Box	70pcs



## GS-B-1 Slide Pipe Mount / Tap Stop



Material	Steel
Weight	0.116kg
Q'ty/Box	70pcs



# ACCESSORIES SLIDE PIPE MOUNTING BRACKET

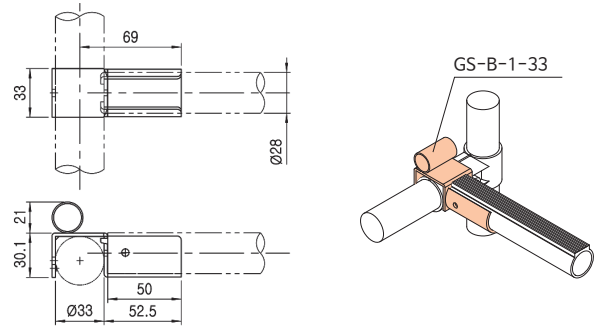
\* Surface Treatment - WZ

Unit : mm

## GS-B-1-33 Slide Pipe Mount / Tap Stop



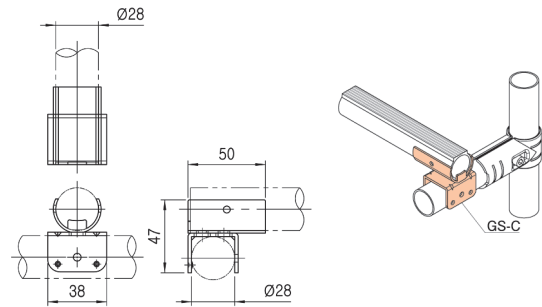
Material	Steel
Weight	0.116kg
Q'ty/Box	50pcs



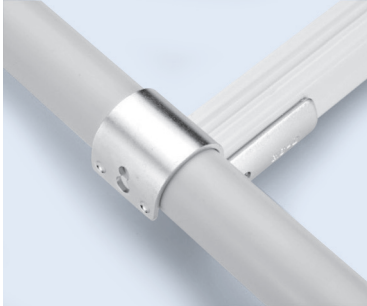
## GS-C Slide Pipe Mount Guide Bracket



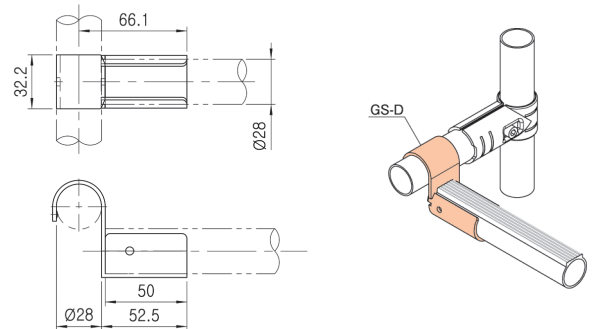
Material	Steel
Weight	0.085kg
Q'ty/Box	80pcs



## GS-D Slide Pipe Mount / Drop Stop



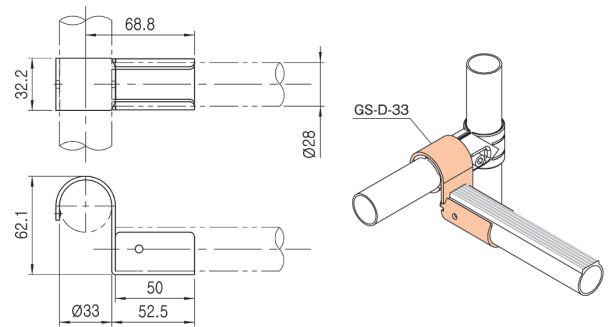
Material	Steel
Weight	0.116kg
Q'ty/Box	80pcs



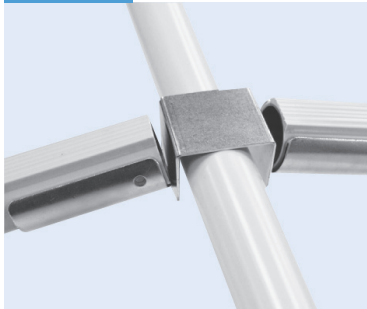
## GS-D-33 Slide Pipe Mount / Drop Stop



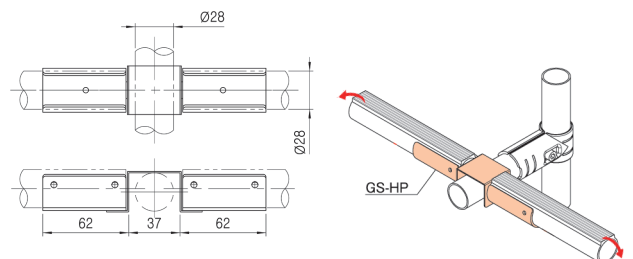
Material	Steel
Weight	0.160kg
Q'ty/Box	80pcs



## GS-HP Slide Pipe Mount



Material	Steel
Weight	0.155kg
Q'ty/Box	50pcs



# ACCESSORIES SLIDE PIPE MOUNTING BRACKET

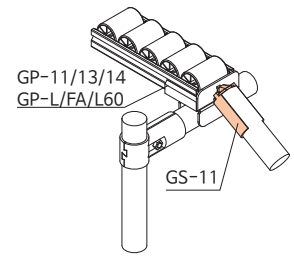
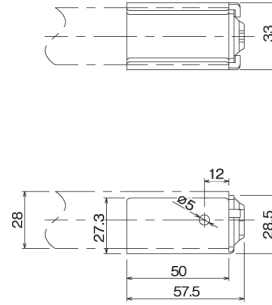
\* Surface Treatment - WZ

Unit : mm

## GS-11 Adjustable Slide Pipe Union



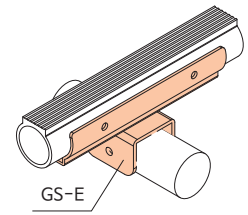
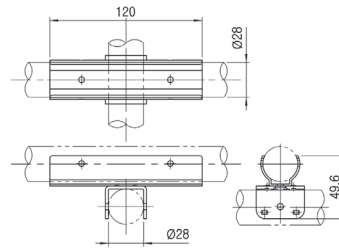
Material	Steel
Weight	0.073kg
Q'ty/Box	150pcs



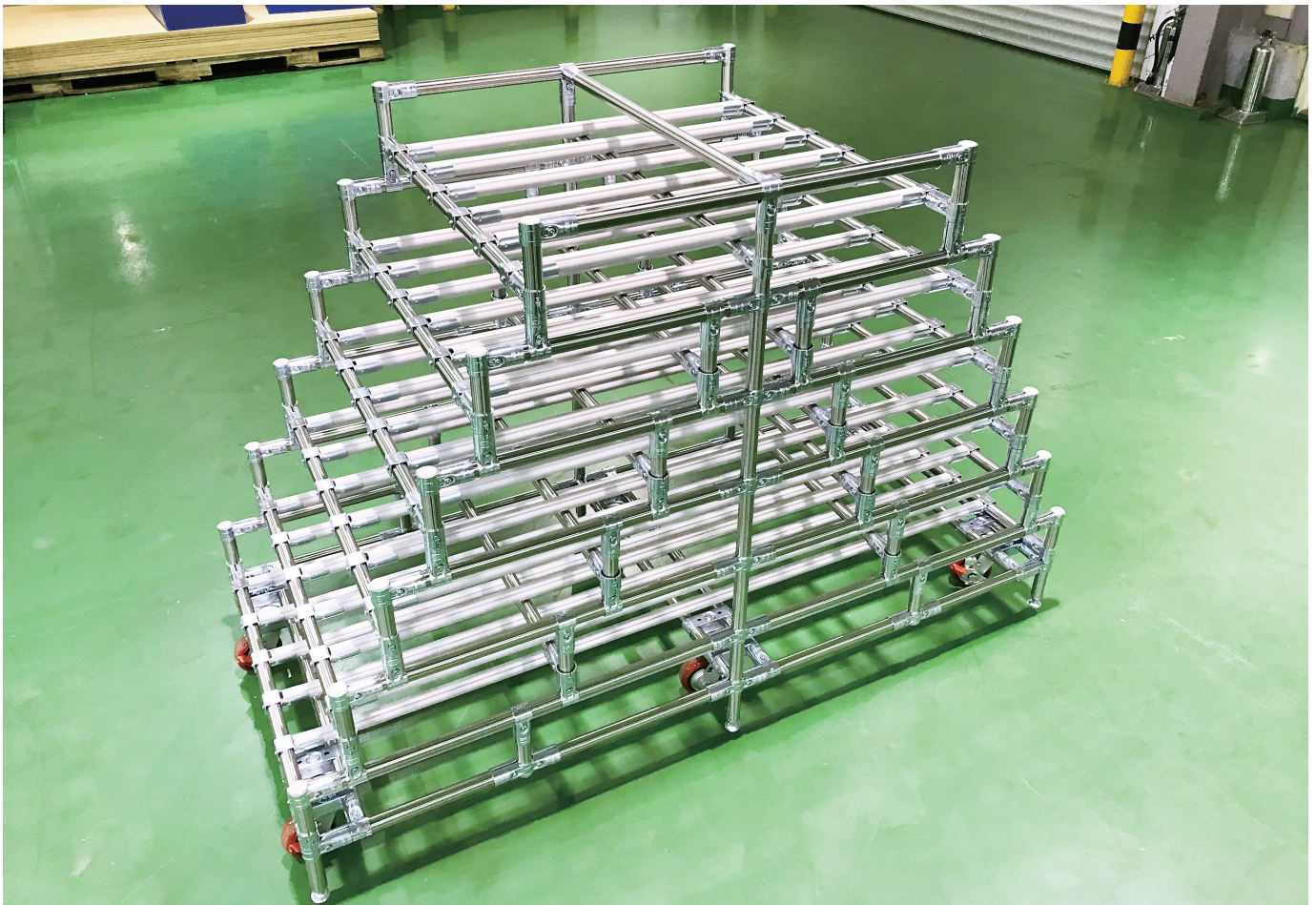
## GS-E Slide Pipe Mount Guide Bracket



Material	Steel
Weight	0.160kg
Q'ty/Box	30pcs



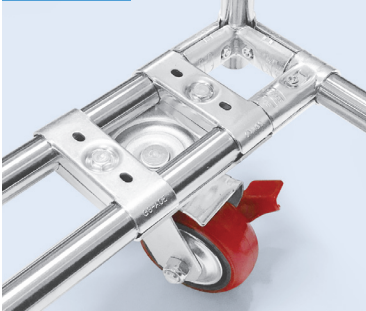
ACCESSORIES



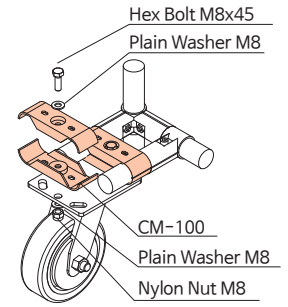
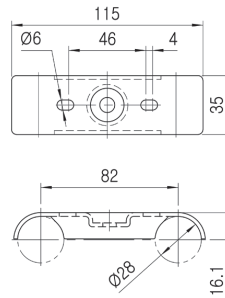
\* Surface Treatment - WZ

Unit : mm

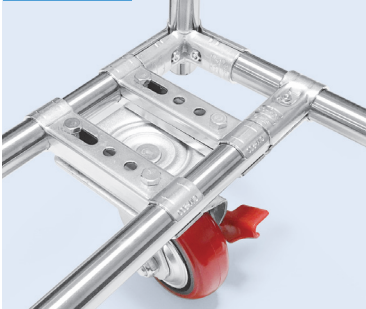
## CM-100 Caster Mount Strap



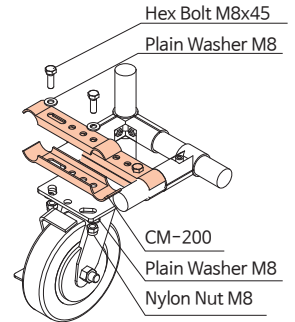
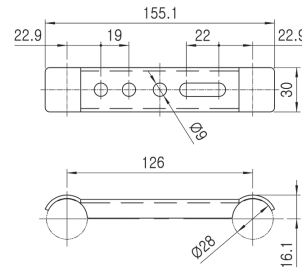
Material	Steel
Weight	0.102kg
Q'ty/Box	150pcs



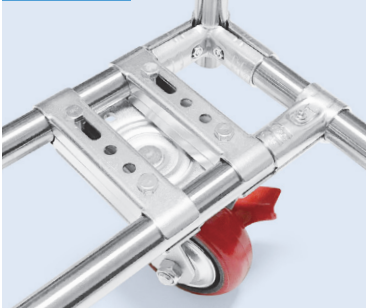
## CM-200 Caster Mount Strap



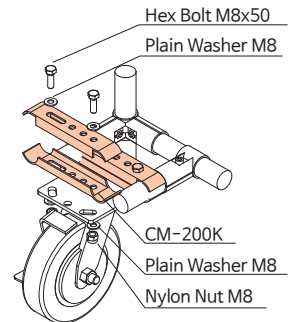
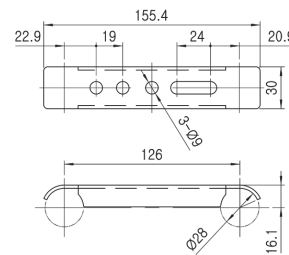
Material	Steel
Weight	0.107kg
Q'ty/Box	120pcs



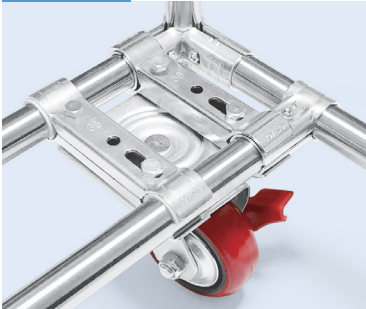
## CM-200K Caster Mount Strap



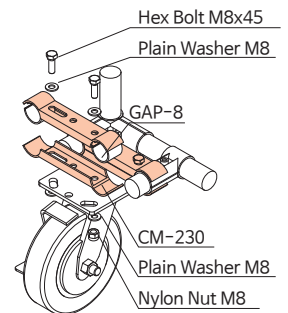
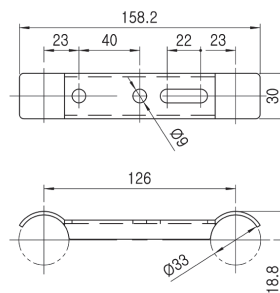
Material	Steel
Weight	0.107kg
Q'ty/Box	120pcs



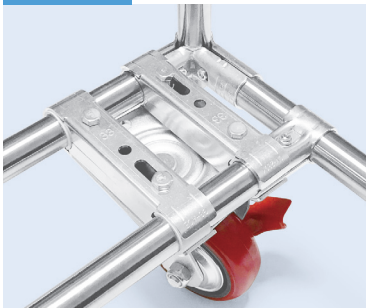
## CM-230 Caster Mount Strap



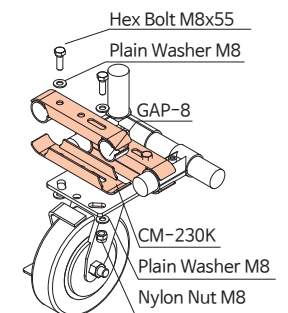
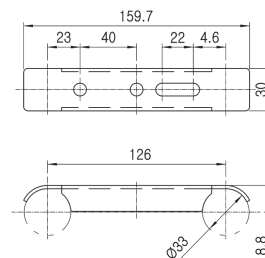
Material	Steel
Weight	0.111kg
Q'ty/Box	100pcs



## CM-230K Caster Mount Strap



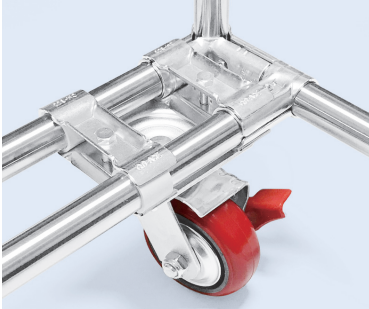
Material	Steel
Weight	0.150kg
Q'ty/Box	100pcs



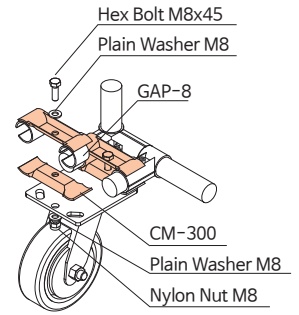
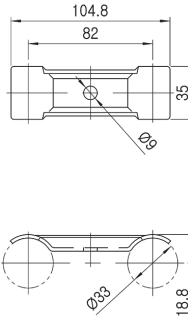
\* Surface Treatment - WZ

Unit : mm

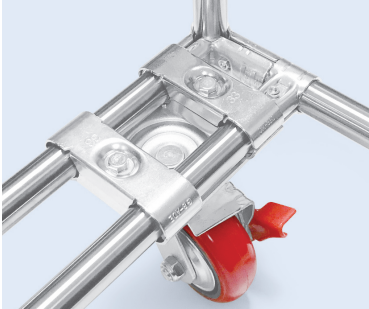
## CM-300 Caster Mount Strap



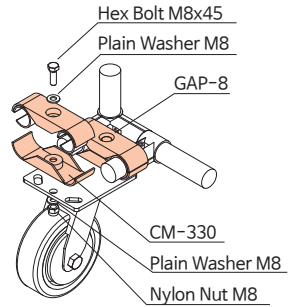
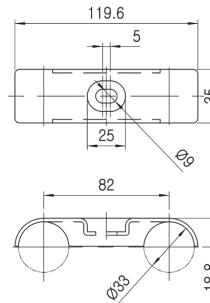
Material	Steel
Weight	0.078kg
Q'ty/Box	300pcs



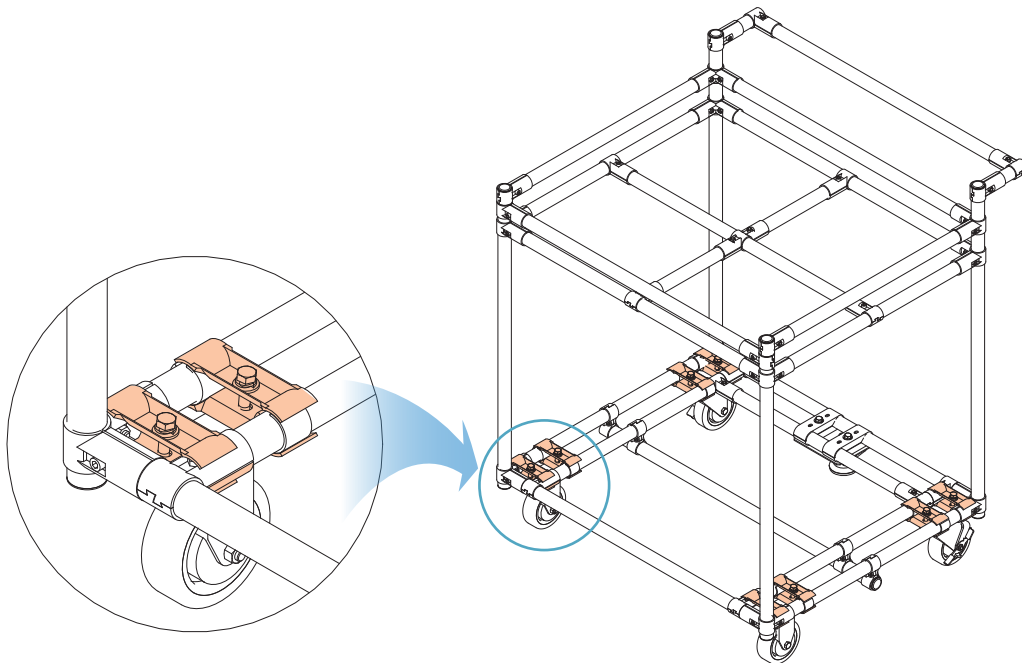
## CM-330 Caster Mount Strap



Material	Steel
Weight	0.113kg
Q'ty/Box	120pcs



## Example for Caster Mount



A-001C or B-001



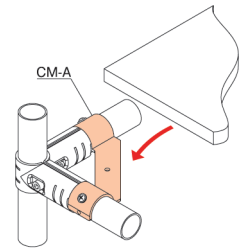
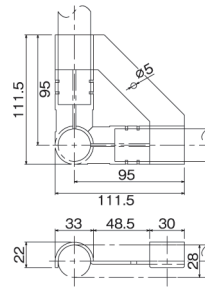
\* Surface Treatment - WZ

Unit : mm

## CM-A Corner Metal



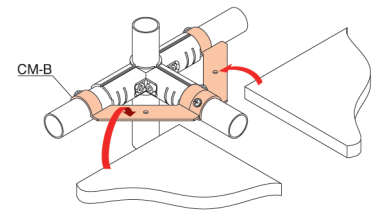
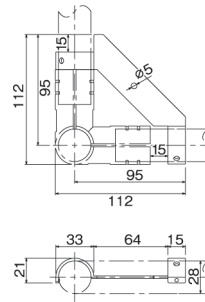
Material	Steel
Weight	0.100kg
Q'ty/Box	60pcs



## CM-B Corner Metal



Material	Steel
Weight	0.071kg
Q'ty/Box	60pcs



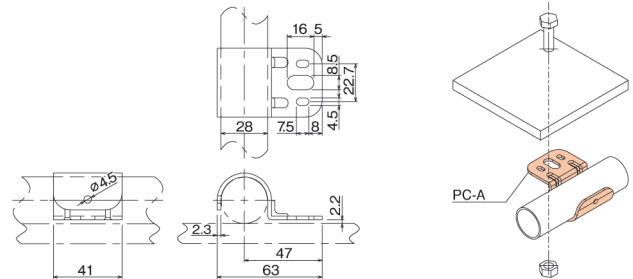
\* Surface Treatment - WZ

Unit : mm

## PC-A Base Lock Metal



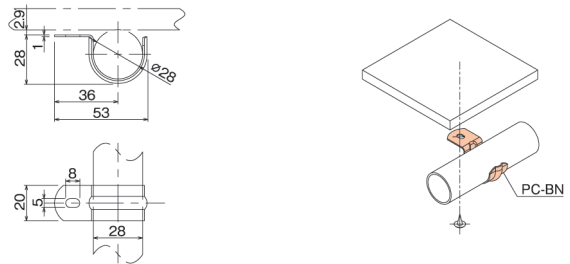
Material	Steel
Weight	0.063kg
Q'ty/Box	150pcs



## PC-BN Pipe Clamp (Single Mount)



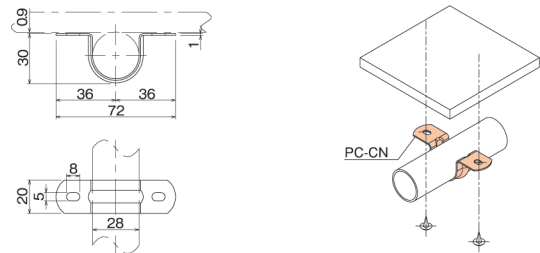
Material	Steel
Weight	0.020kg
Q'ty/Box	300pcs



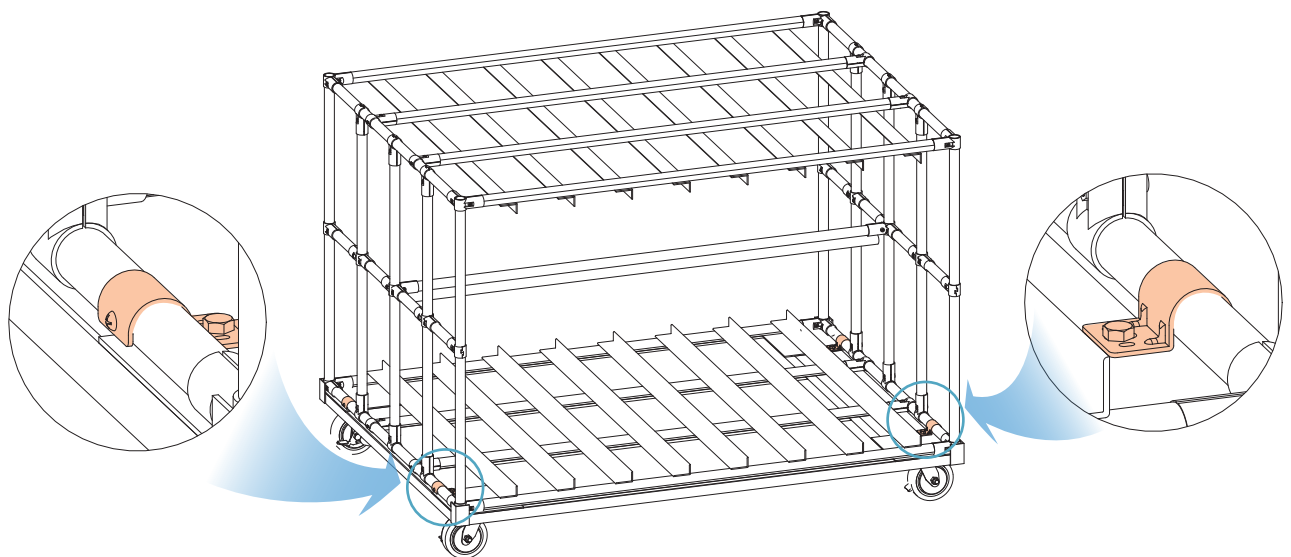
## PC-CN Pipe Clamp (Double Mount)



Material	Steel
Weight	0.026kg
Q'ty/Box	400pcs



## Example for PC-A



# ACCESSORIES OTHER

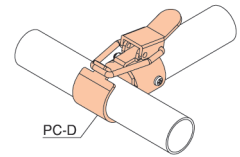
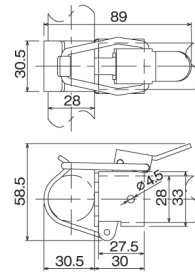
\* Surface Treatment - WZ

Unit : mm

## PC-D Pipe Lock Metal



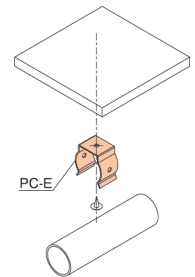
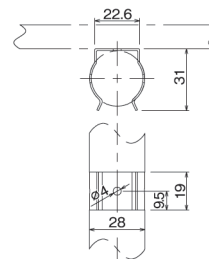
Material	Steel
Weight	0.157kg
Q'ty/Box	50pcs



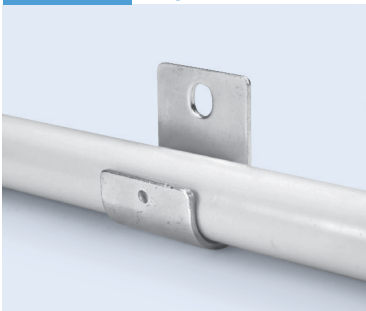
## PC-E Pipe Clamp



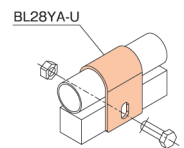
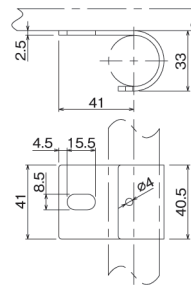
Material	Steel
Weight	0.012kg
Q'ty/Box	600pcs



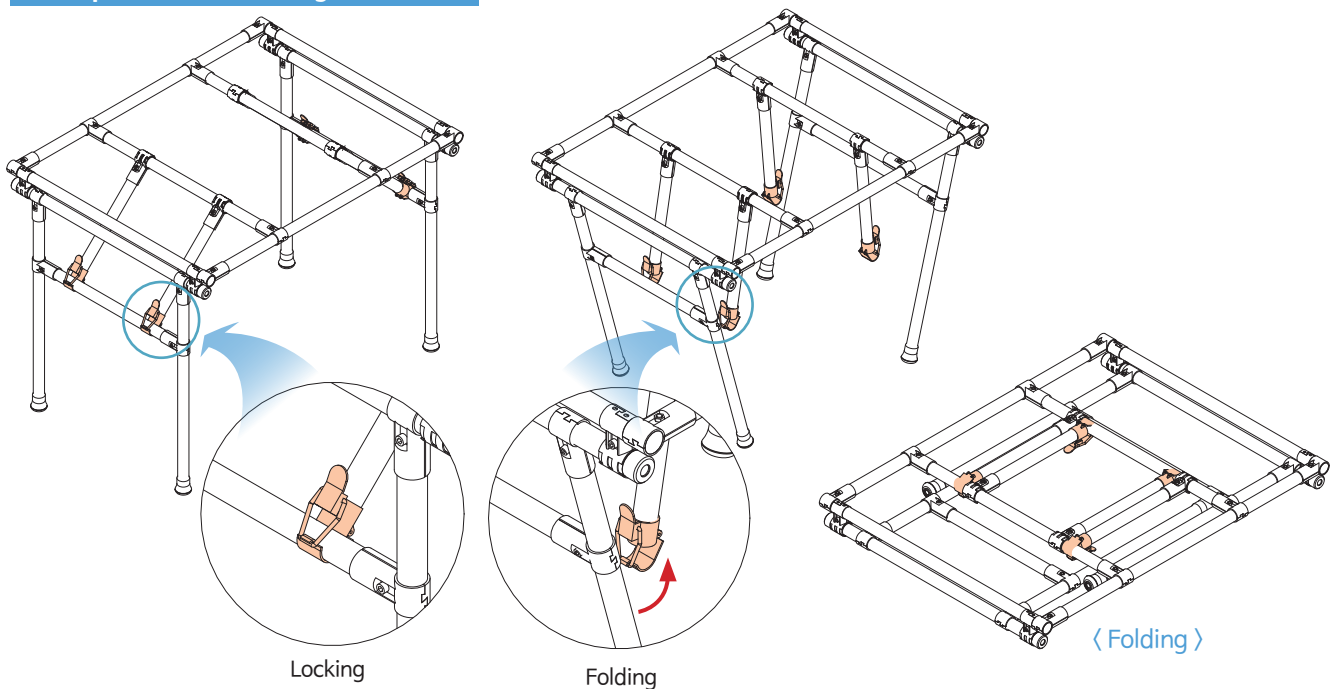
## BL28YA-U Pipe Holder



Material	Steel
Weight	0.076kg
Q'ty/Box	150pcs



### Example for PC-D Folding work table



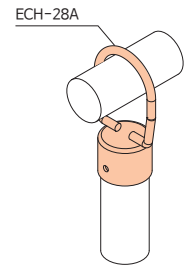
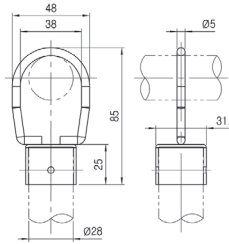
\* Surface Treatment - WZ

Unit : mm

## ECH-28A End Cap Hanger



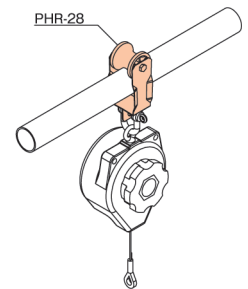
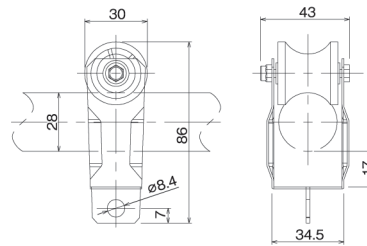
Material	Steel
Weight	0.060kg
Q'ty/Box	70pcs



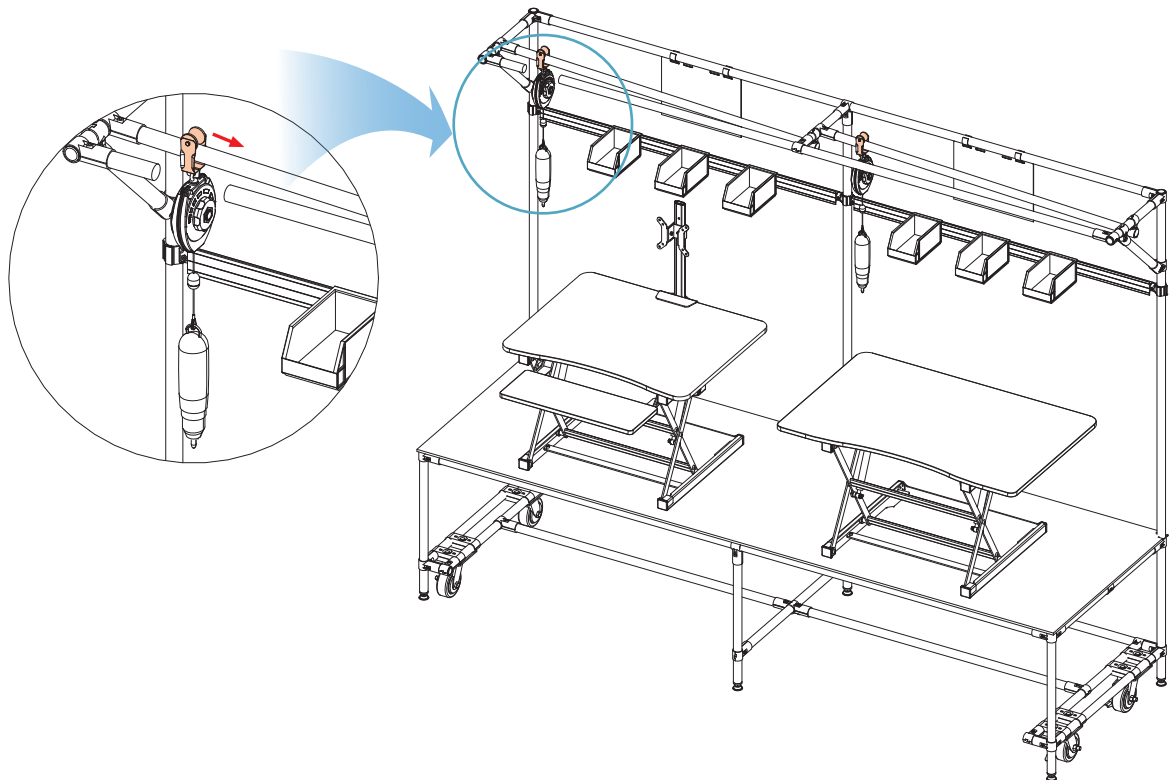
## PHR-28 Hang Roller



Material	Steel
Weight	0.045kg
Q'ty/Box	50pcs



## Example for Hang Roller



# ACCESSORIES OTHER

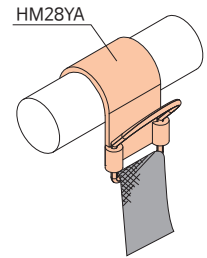
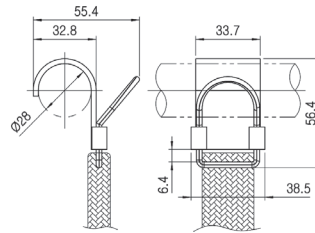
\* Surface Treatment - WZ

Unit : mm

## HM28YA Hanger Metal



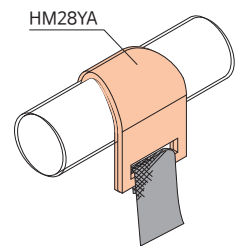
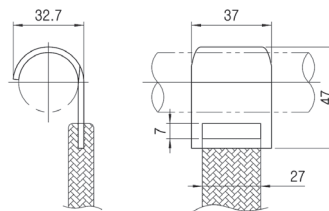
Material	Steel
Weight	0.049kg
Q'ty/Box	100pcs



## HM28YB Hanger Metal



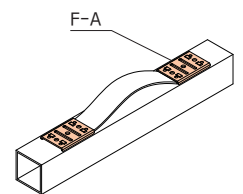
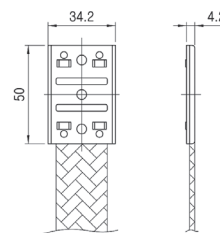
Material	Steel
Weight	0.040kg
Q'ty/Box	100pcs



## F-A Handle (Flat Type)



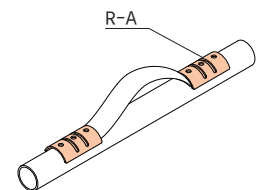
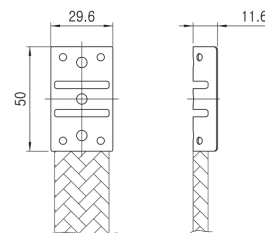
Material	Steel
Weight	0.020kg
Q'ty/Box	500pcs



## R-A Handle (Round Type)



Material	Steel
Weight	0.020kg
Q'ty/Box	400pcs



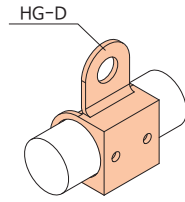
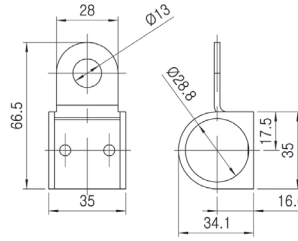
\* Surface Treatment - WZ

Unit : mm

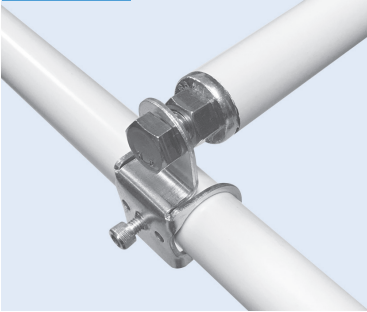
## HG-D Hinge Metal



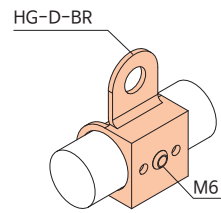
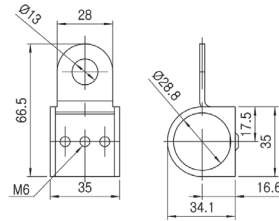
Material	Steel
Weight	0.052kg
Q'ty/Box	100pcs



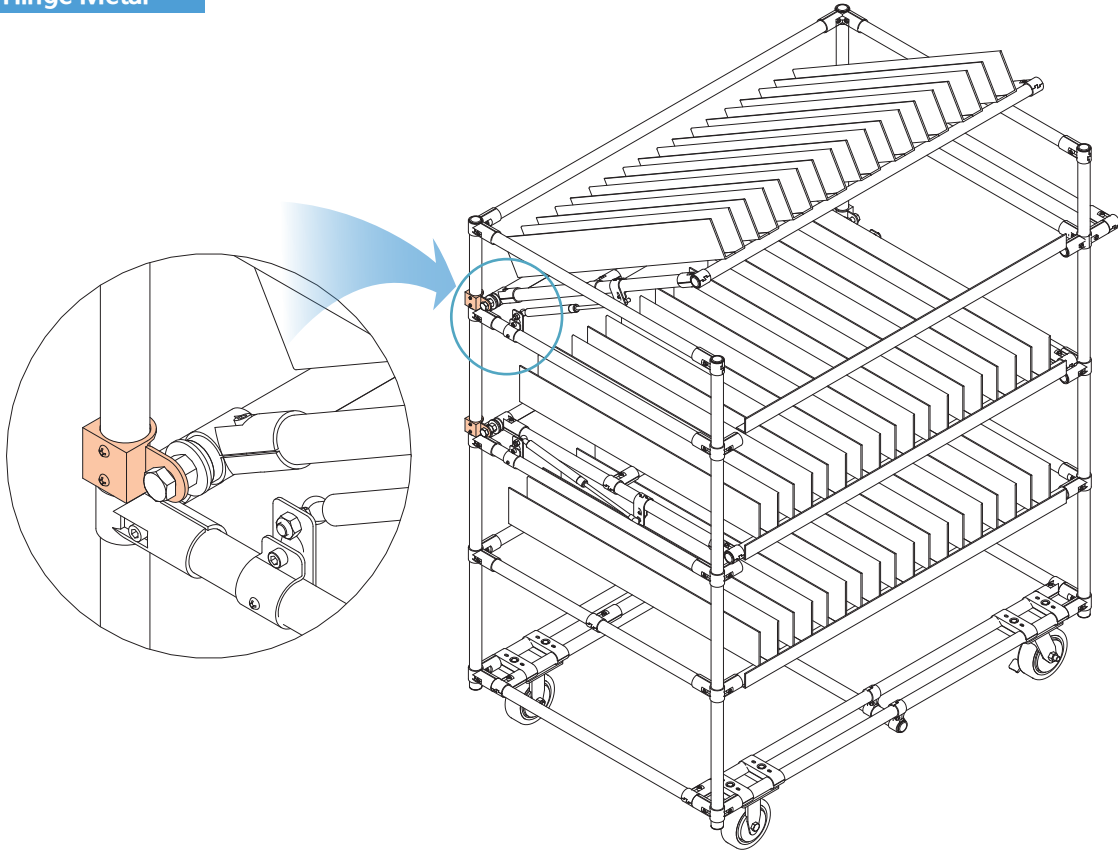
## HG-D-BR Hinge Metal



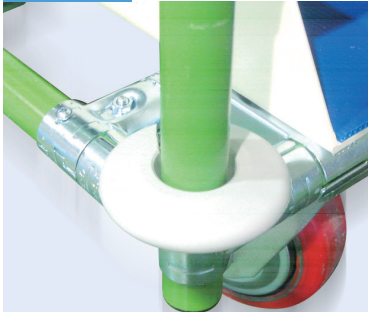
Material	Steel
Weight	0.052kg
Q'ty/Box	100pcs



## Example for Hinge Metal

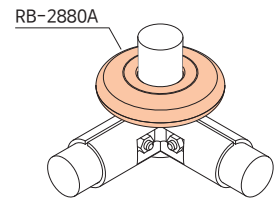
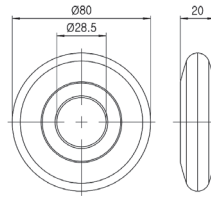


## RB-2880A Ring Bumper



Material	Rubber
Weight	0.060kg
Q'ty/Box	150pcs

\* Color : White

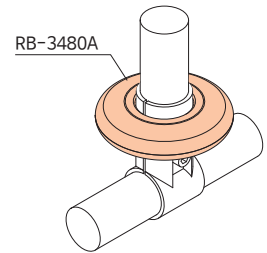
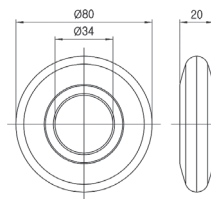


## RB-3480A Ring Bumper

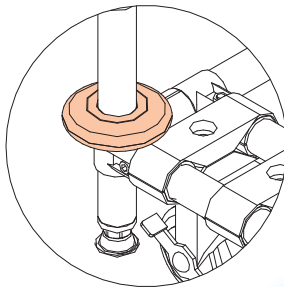


Material	Rubber
Weight	0.065kg
Q'ty/Box	150pcs

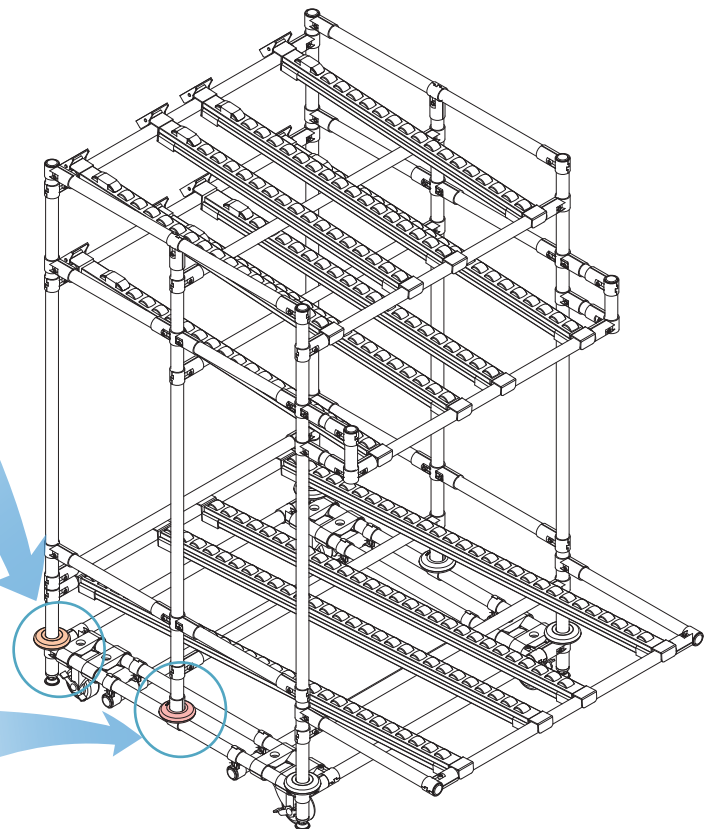
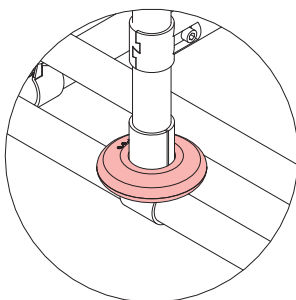
\* Color : Yellow



### Example for Ring Bumper (RB-2880A)



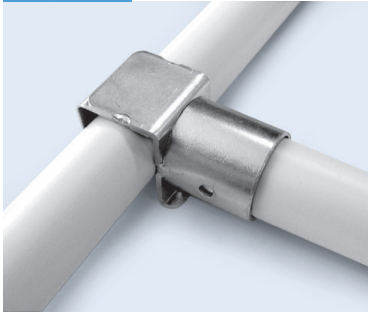
### Example for Ring Bumper (RB-3480A)



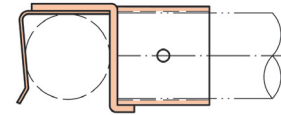
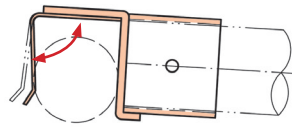
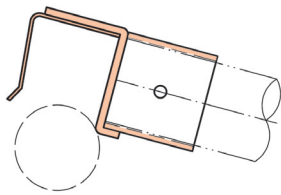
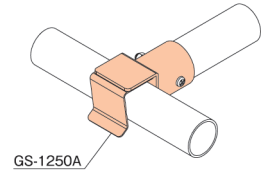
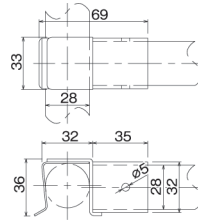
\* Surface Treatment - WZ

Unit : mm

## GS-1250A End Snap Rest



Material	Steel
Weight	0.100kg
Q'ty/Box	90pcs

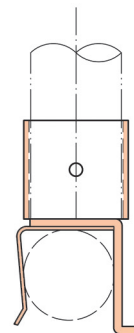
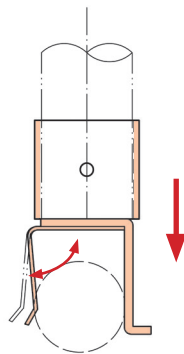
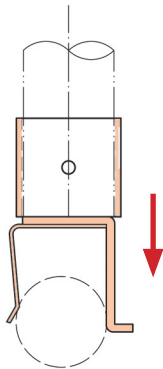
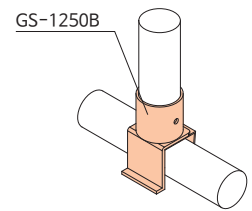
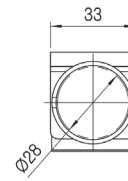
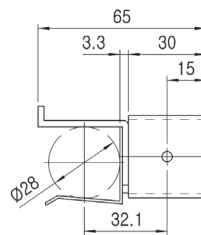


Tension

## GS-1250B End Snap Rest



Material	Steel
Weight	0.100kg
Q'ty/Box	90pcs



Tension

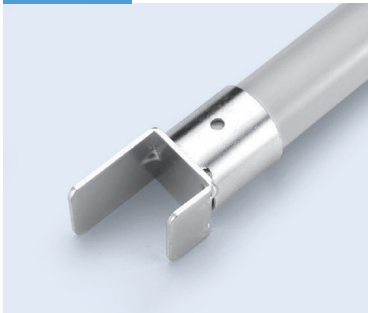


# ACCESSORIES OTHER

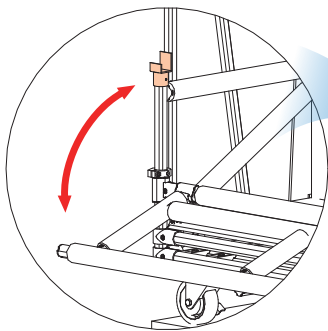
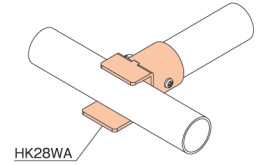
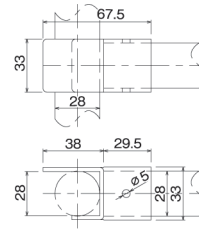
\* Surface Treatment - WZ

Unit : mm

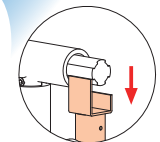
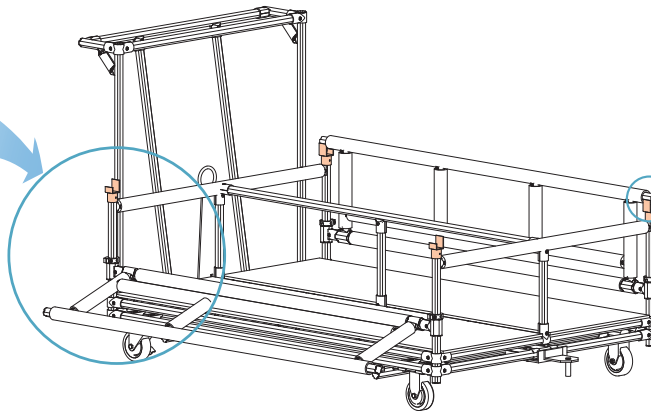
## HK28WA Pipe Rest



Material	Steel
Weight	0.094kg
Q'ty/Box	90 pcs



Door Open

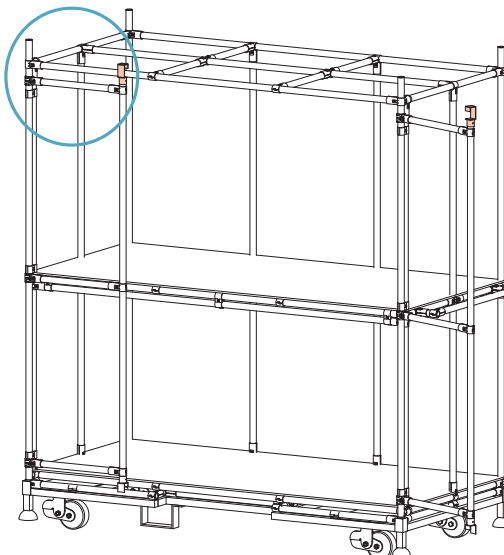
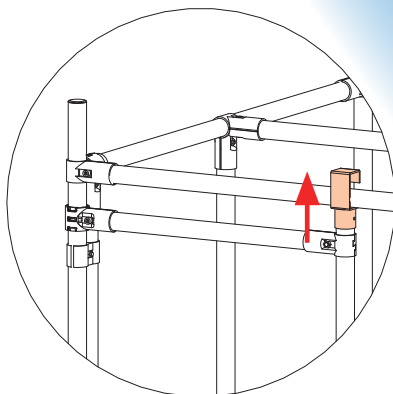
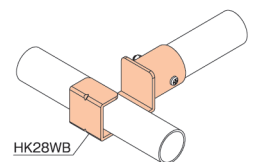
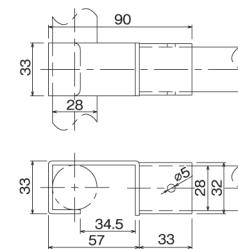


Door Locking

## HK28WB Pipe Rest



Material	Steel
Weight	0.124kg
Q'ty/Box	70pcs



# ACCESSORIES OTHER

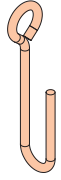
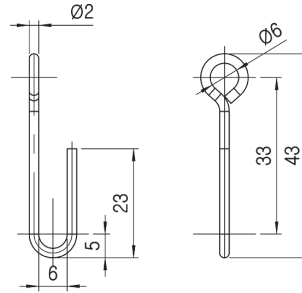
\* Surface Treatment - WZ

Unit : mm

## BH-A Band Hook



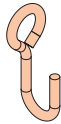
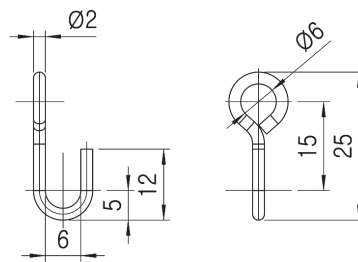
Material	Steel
Weight	0.001kg
Q'ty/Box	1000pcs



## BH-B Band Hook



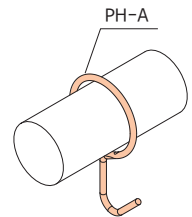
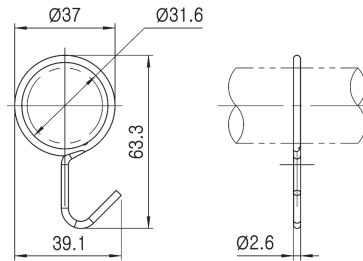
Material	Steel
Weight	0.001kg
Q'ty/Box	2000pcs



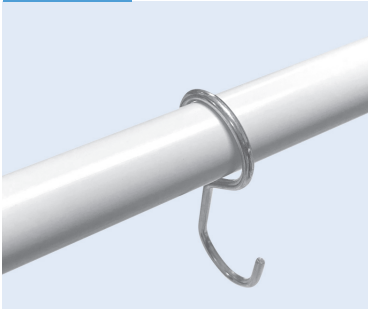
## PH-A Hanger



Material	Steel
Weight	0.001kg
Q'ty/Box	500pcs

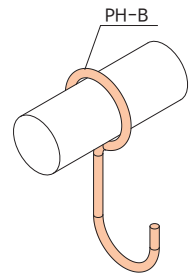
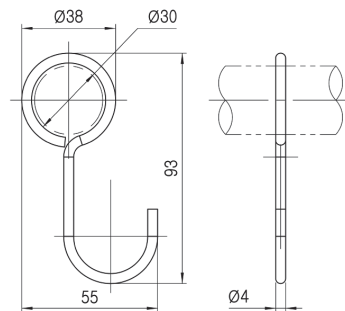


## PH-B Hanger

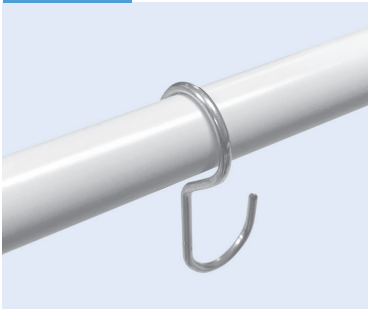


Material	Steel
Weight	0.001kg
Q'ty/Box	300pcs

Same direction with Pipe

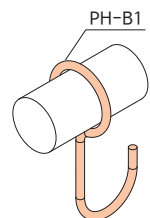
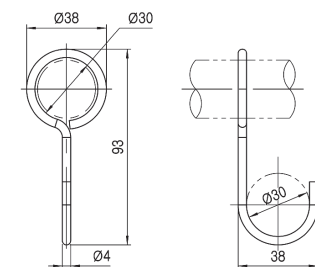


## PH-B1 Hanger



Material	Steel
Weight	0.001kg
Q'ty/Box	300pcs

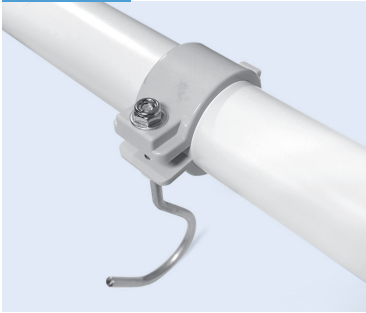
Rectangle direction with Pipe



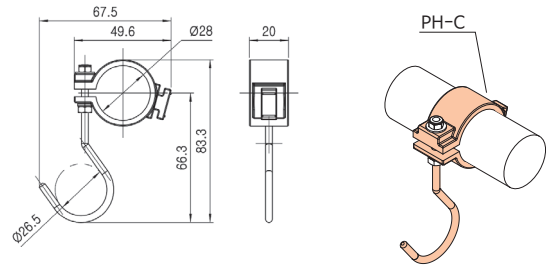
\* Surface Treatment - WZ

Unit : mm

## PH-C Hanger



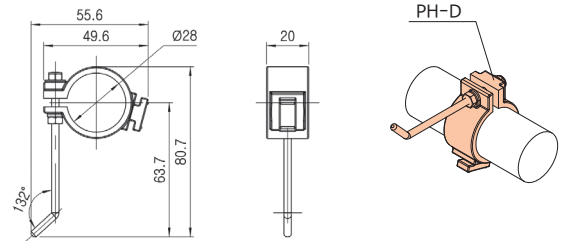
Material	Plastic+Steel
Weight	0.019kg
Q'ty/Box	90pcs



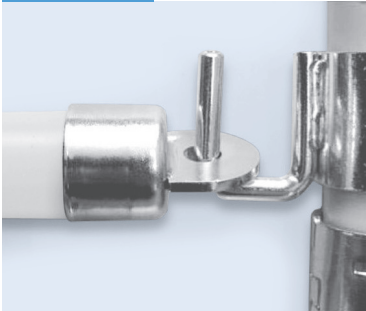
## PH-D Hanger



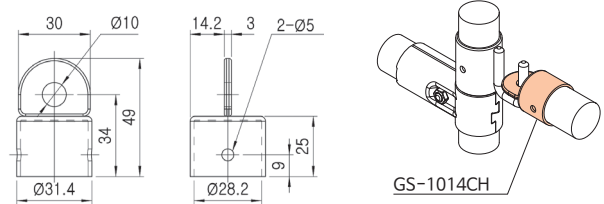
Material	Plastic+Steel
Weight	0.017kg
Q'ty/Box	100pcs



## GS-1014CH Sleeve Hanger (2 Hole)



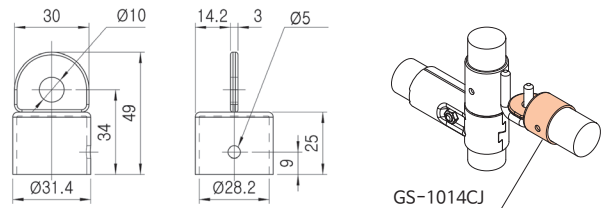
Material	Steel
Weight	0.050kg
Q'ty/Box	150pcs



## GS-1014CJ Sleeve Hanger (1 Hole)



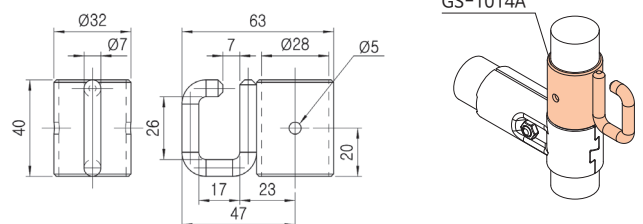
Material	Steel
Weight	0.050kg
Q'ty/Box	70pcs



## GS-1014A Sleeve Hanger



Material	Steel
Weight	0.130kg
Q'ty/Box	70 pcs



# ACCESSORIES OTHER

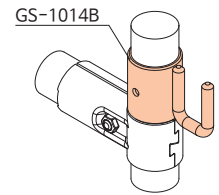
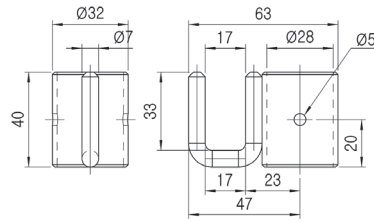
\* Surface Treatment - WZ

Unit : mm

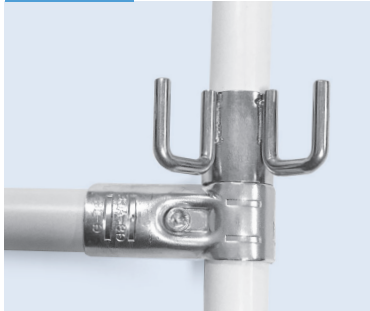
## GS-1014B Sleeve Hanger



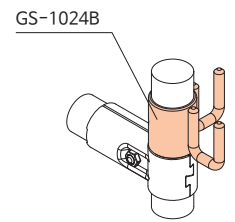
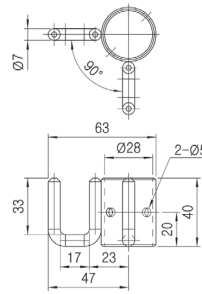
Material	Steel
Weight	0.130kg
Q'ty/Box	170pcs



## GS-1024B Sleeve Hanger



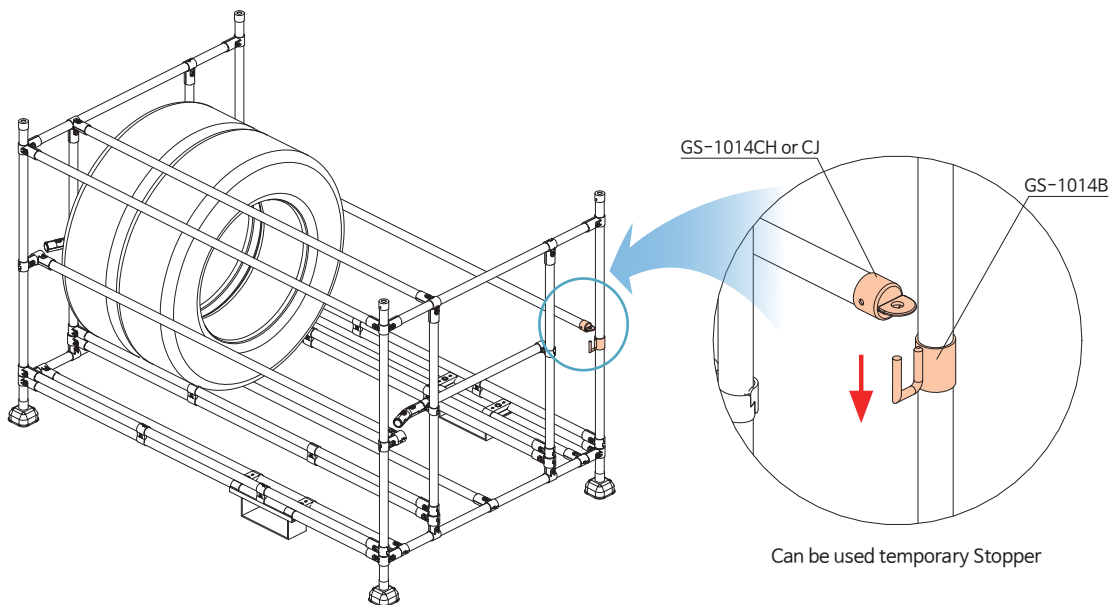
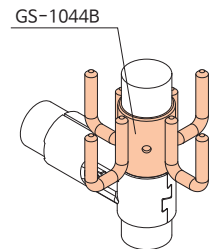
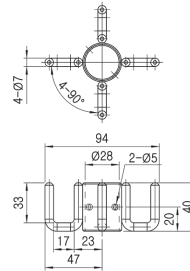
Material	Steel
Weight	0.100kg
Q'ty/Box	56pcs



## GS-1044B Sleeve Hanger



Material	Steel
Weight	0.155kg
Q'ty/Box	33pcs



# ACCESSORIES OTHER

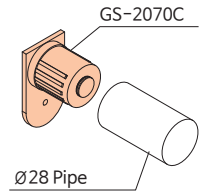
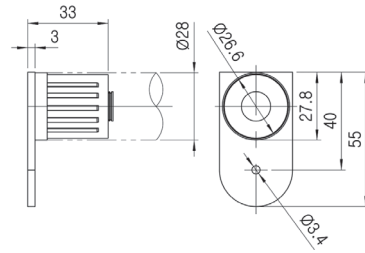
\* Surface Treatment - WZ

Unit : mm

## GS-2070C Pipe Plug



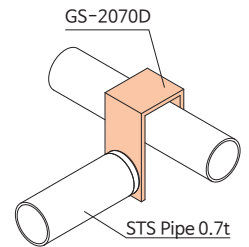
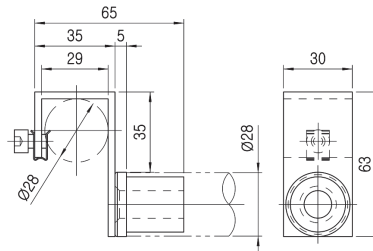
Material	Steel	
Weight	0.120kg	
Q'ty/Box	100pcs	
Pipe	Thickness	Part No.
Coated	0.7	GS-2070C-C07
	0.9	GS-2070C-C09
	1.0	GS-2070C-C10
	2.0	GS-2070C-C20
STS/ Eco	0.7	GS-2070C-S07
	0.9	GS-2070C-S10
	1.2	GS-2070C-S12



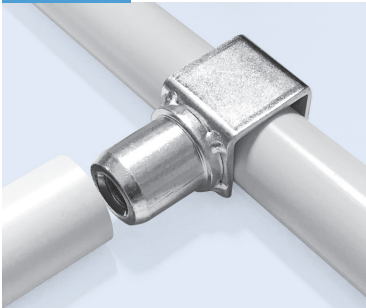
## GS-2070D Slide Pipe Plug



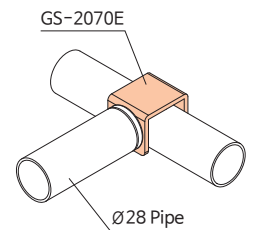
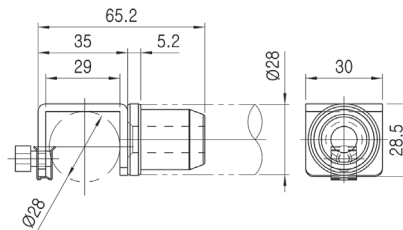
Material	Steel	
Weight	0.200kg	
Q'ty/Box	90pcs	
Pipe	Thickness	Part No.
Coated	0.7	GS-2070D-C07
	0.9	-
	1.0	-
	2.0	GS-2070D-C20
STS/ Eco	0.7	GS-2070D-S07
	0.9	GS-2070D-S10
	1.2	GS-2070D-S12



## GS-2070E Slide Pipe Plug



Material	Steel	
Weight	0.069kg	
Q'ty/Box	100pcs	
Pipe	Thickness	Part No.
Coated	0.7	-
	0.9	GS-2070E-C09
	1.0	-
	2.0	-
STS/ Eco	0.7	-
	0.9	-
	1.2	-



\* Surface Treatment - WZ

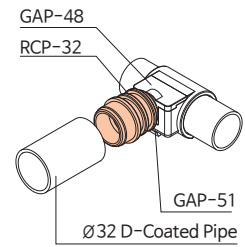
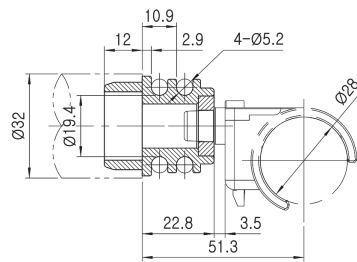
Unit : mm

## RCP-32 Roller Conveyor Pulley Bearing

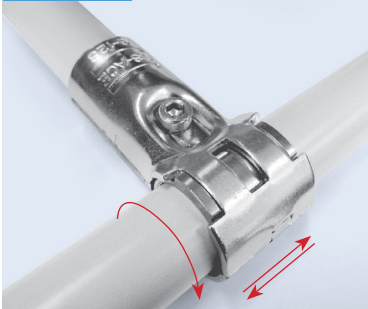


Material	Plastic
Weight	0.017kg
Q'ty/Box	100pcs

\* Color : Blue

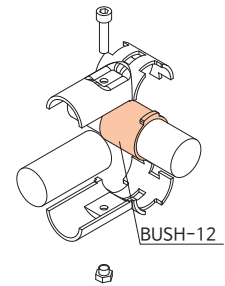
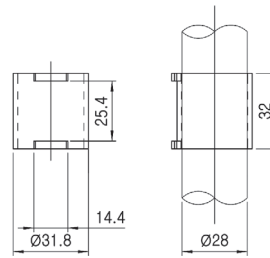


## BUSH-12 Sleeve Bushing (Metal)

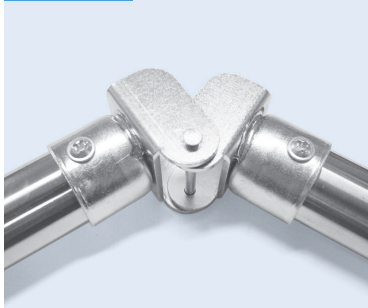


Material	Steel
Weight	0.035kg
Q'ty/Box	180pcs

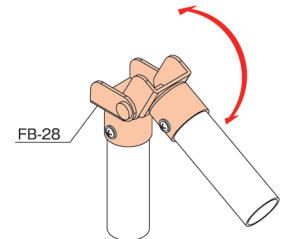
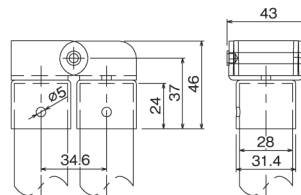
Joint for assembly :  
G-12S, G-17S, G-18S,  
G-24S, G-25C, G-22S



## FB-28 Folding Bracket



Material	Steel
Weight	0.155kg
Q'ty/Box	48pcs

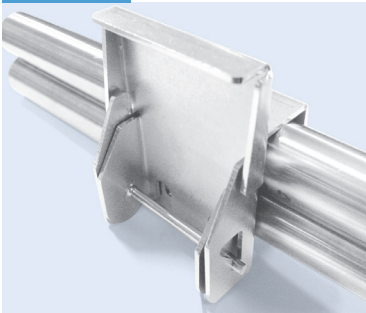


# ACCESSORIES OTHER

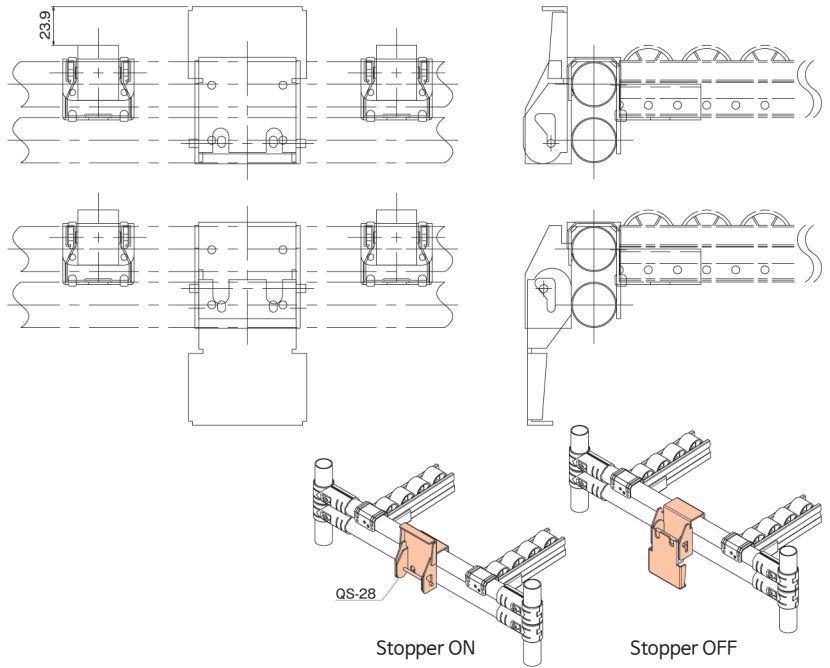
\* Surface Treatment - WZ

Unit : mm

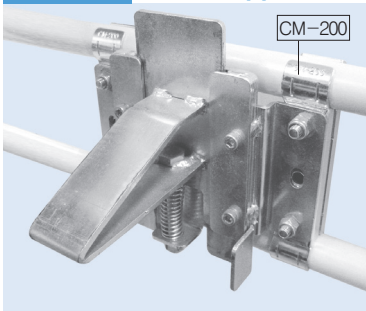
## QS-28 Quick Stopper



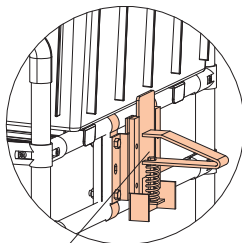
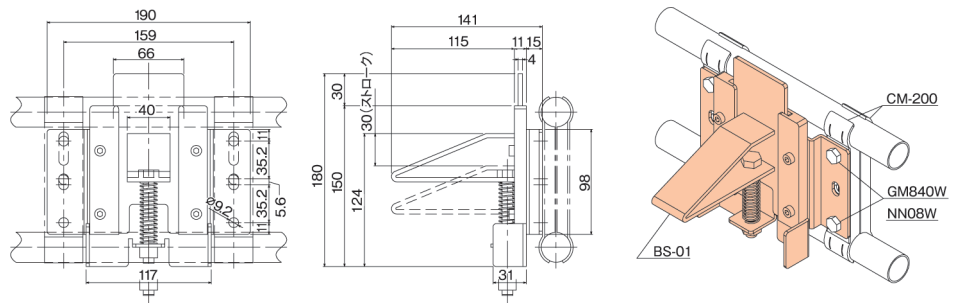
Material	Steel
Weight	0.370kg
Q'ty/Box	18pcs



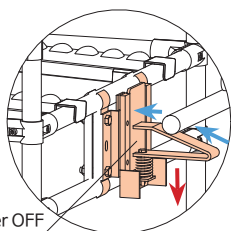
## BS-01 Box Stopper



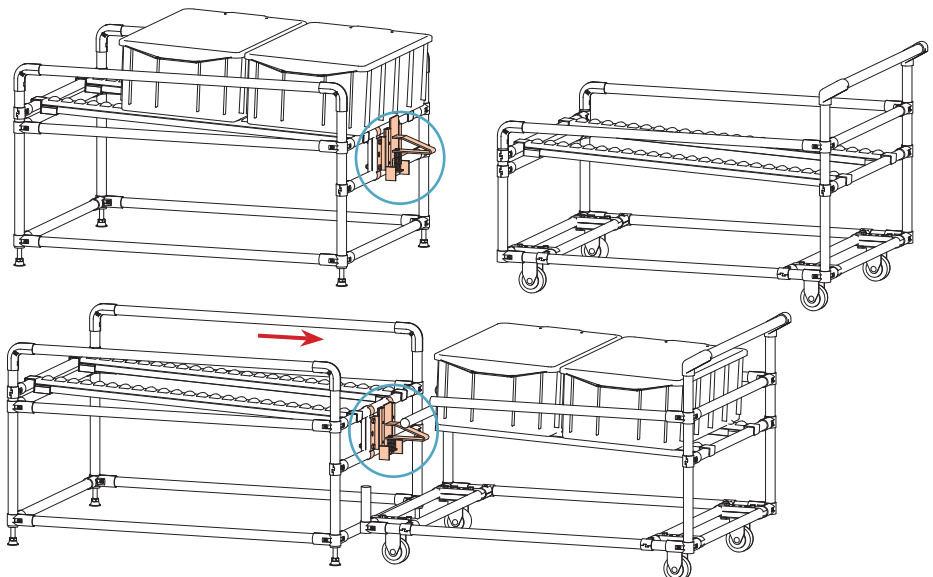
Material	Steel
Weight	1.78kg
Q'ty/Box	40pcs



Stopper ON



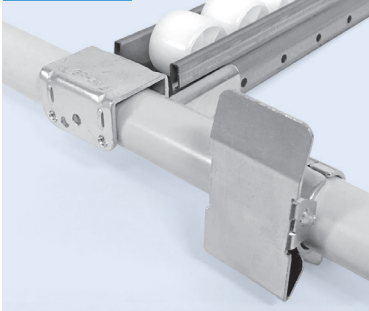
Stopper OFF



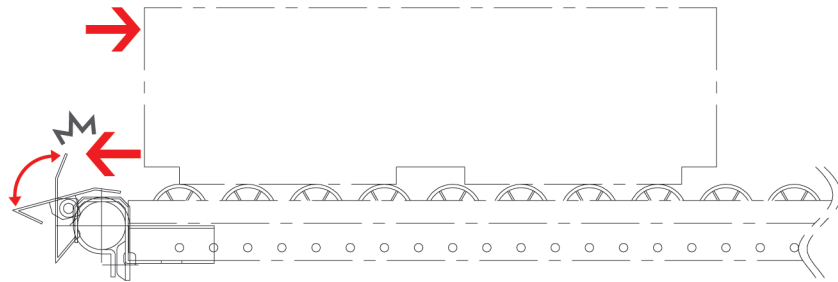
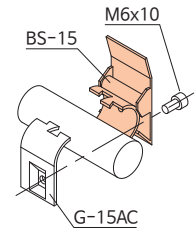
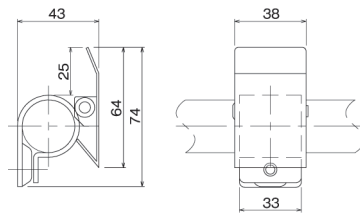
\* Surface Treatment - WZ

Unit : mm

## BS-15 Back Stopper Bracket



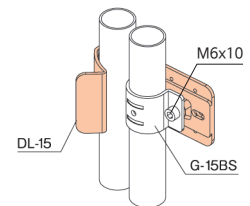
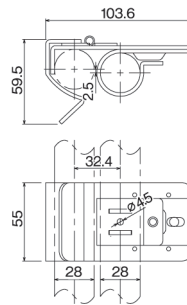
Material	Steel
Weight	0.105kg
Q'ty/Box	60 pcs



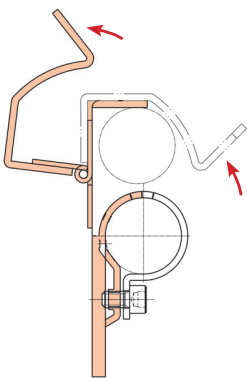
## DL-15 Door Latch



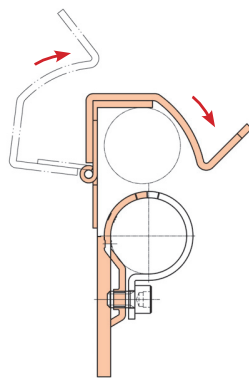
Material	Steel
Weight	0.305kg
Q'ty/Box	20 pcs



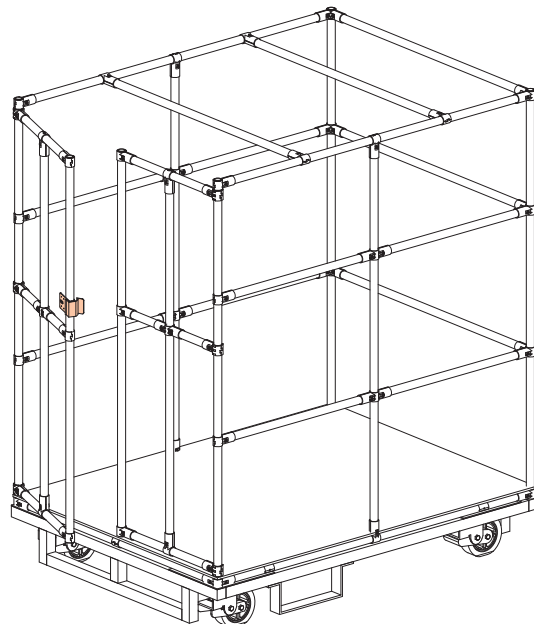
### Example for Door Latch



OPEN



CLOSE

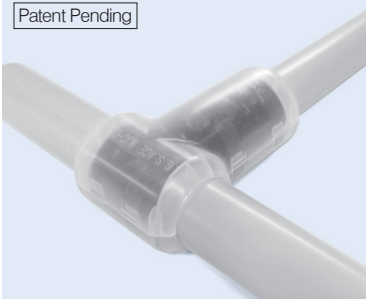




Unit : mm

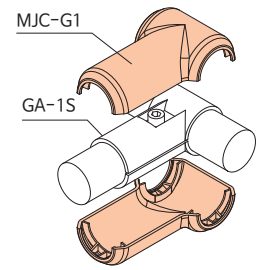
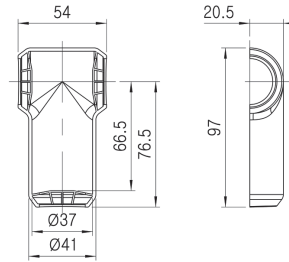
## MJC-G1 Metal Joint Cover

Patent Pending



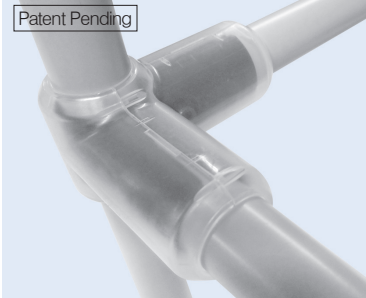
Material	Plastic
Weight	0.013kg
Q'ty/Box	150pcs

\* Color : Natural



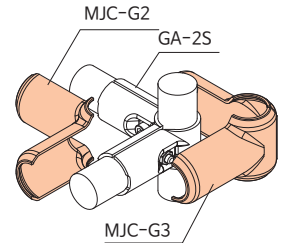
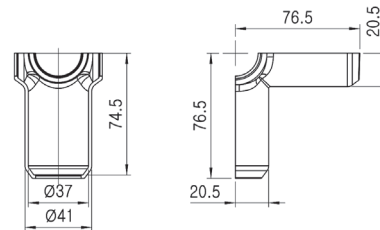
## MJC-G2 Metal Joint Cover

Patent Pending



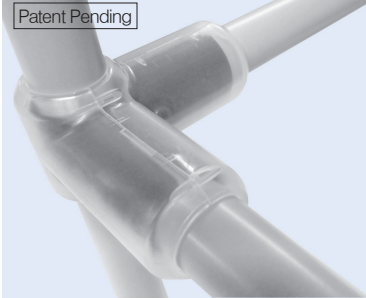
Material	Plastic
Weight	0.012kg
Q'ty/Box	280pcs

\* Color : Natural



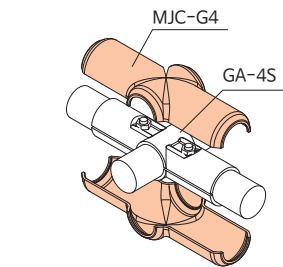
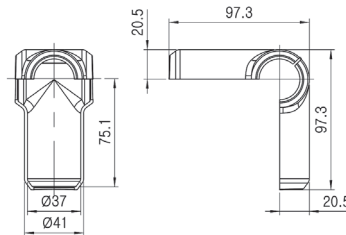
## MJC-G3 Metal Joint Cover

Patent Pending



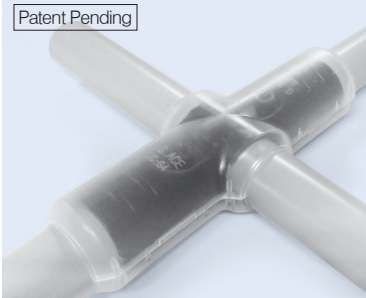
Material	Steel
Weight	0.020kg
Q'ty/Box	120pcs

\* Color : Natural



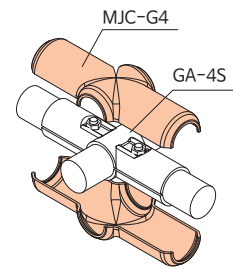
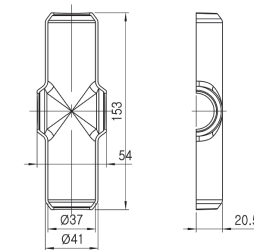
## MJC-G4 Metal Joint Cover

Patent Pending



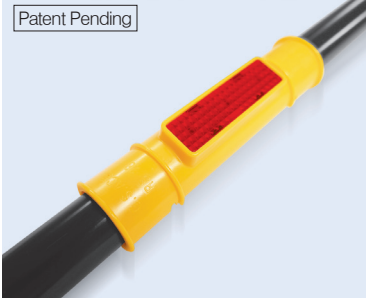
Material	Plastic
Weight	0.020kg
Q'ty/Box	120pcs

\* Color : Natural



## RS-28 Safety Reflector

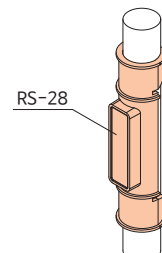
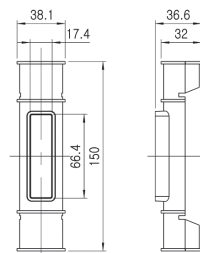
Patent Pending



Material	Plastic
Weight	0.030kg
Q'ty/Box	150pcs

\* Color : Yellow

Prevention from accident in the night by attaching reflection plate in the Pipe side.



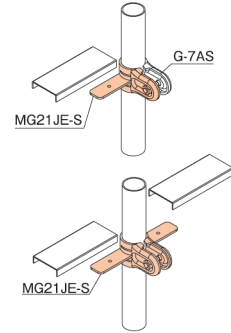
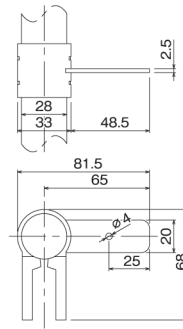
\* Surface Treatment - WZ/BK

Unit : mm

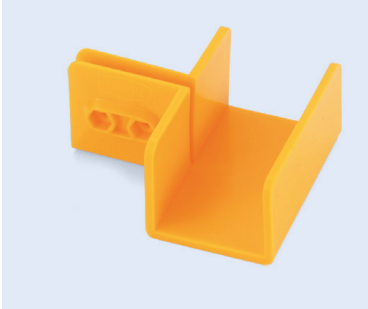
## MG21JE-S Separator



Material	Steel
Weight	0.180kg
Q'ty/Box	100pcs

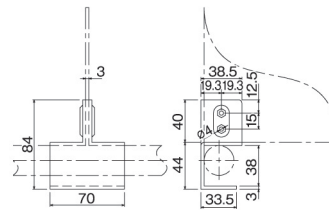


## HP-30L Holder Panel

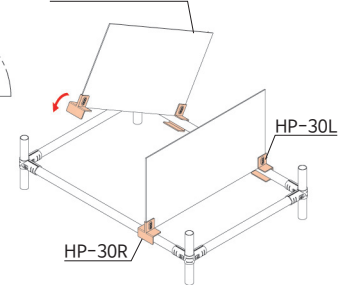


Material	Plastic
Weight	0.030kg
Q'ty/Box	240pcs

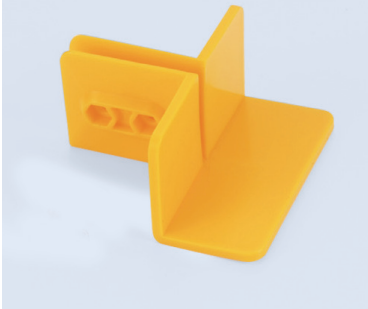
\* M4 Bolt/M4 Nut (Option)  
\* Color : Yellow



Insert rear side into Pipe and attach to front side.

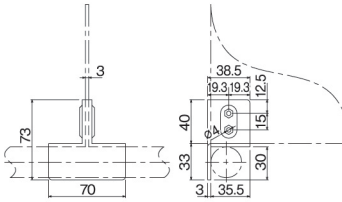


## HP-30R Holder Panel

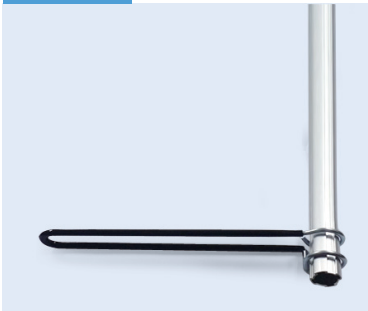


Material	Plastic
Weight	0.022kg
Q'ty/Box	400pcs

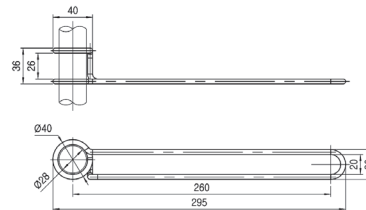
\* M4 Bolt/M4 Nut (Option)  
\* Color : Yellow



## WL-250 Wire Latcch



Material	Steel
Weight	0.139kg
Q'ty/Box	150pcs

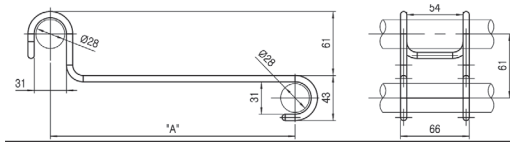
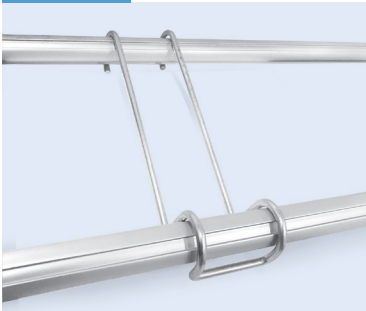


# ACCESSORIES OTHER

\* Surface Treatment - WZ

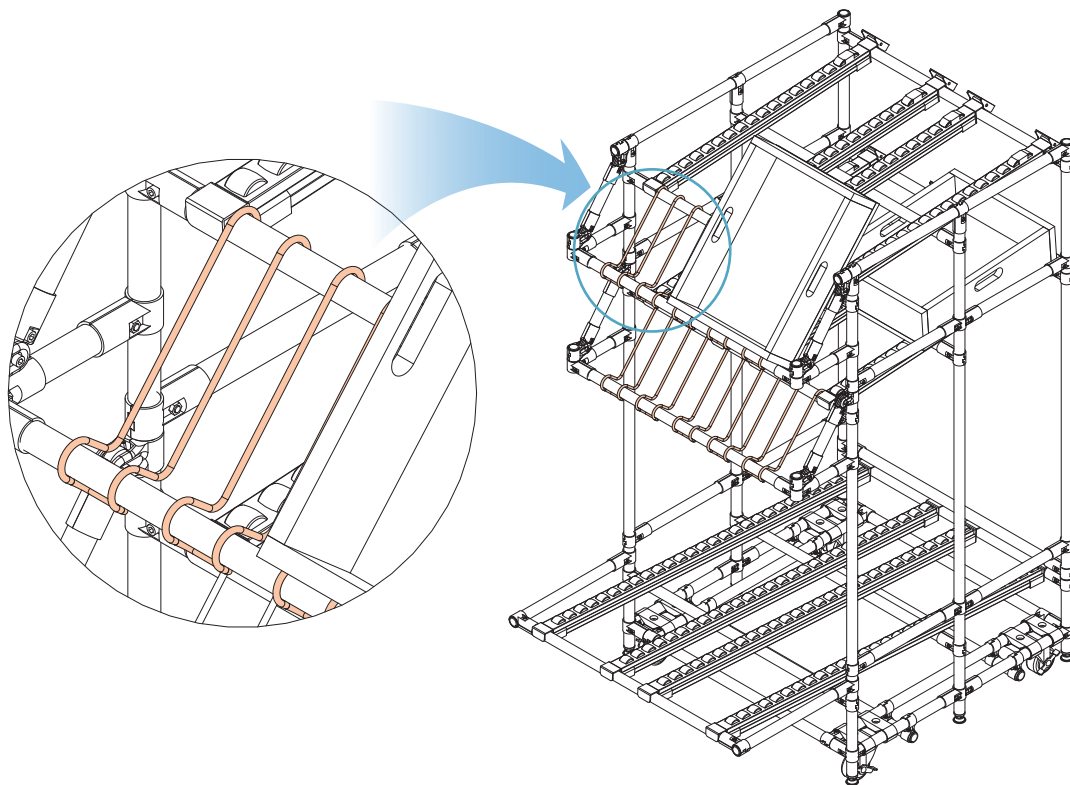
Unit : mm

## WR-200 Wire Rack



Part No	Pipe	"A"	Weight	Q'ty/Box
WR-200	Ø28	235	0.182kg	25pcs
WR-300		335	0.230kg	80pcs
WR-400		435	0.271kg	30pcs

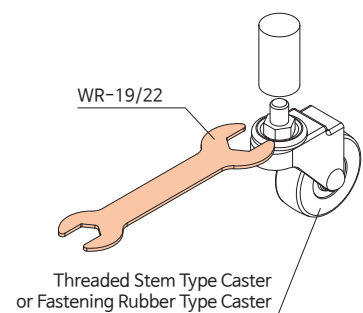
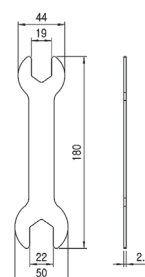
## Example for Wire Rack



## WR-19/22 Spanner for Caster



Material	Steel
Weight	0.091kg
Q'ty/Box	50pcs



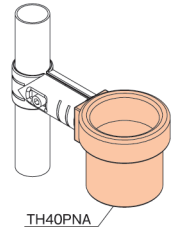
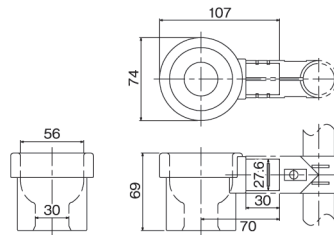
Unit : mm

## TH40PA Tool Holder



Material	Plastic
Weight	0.087kg
Q'ty/Box	50pcs

\*TH40PA : PP (Color : BK)  
\*TH40PNA : Nylon6 (Color : Dark Gray)

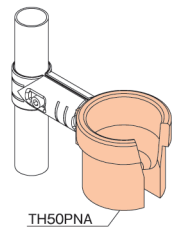
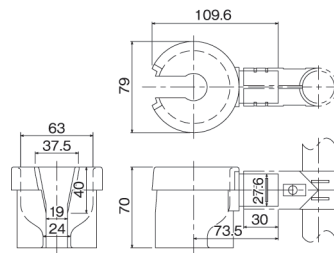


## TH50PA Tool Holder



Material	Plastic
Weight	0.087kg
Q'ty/Box	50pcs

\*TH50PA : PP (Color : BK)  
\*TH50PNA : Nylon6 (Color : Dark Gray)

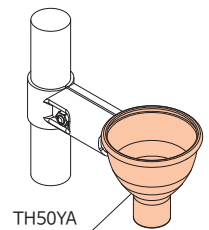
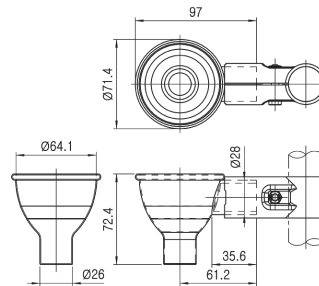


## TH50YA Tool Holder



Material	Steel
Weight	0.108kg
Q'ty/Box	25pcs

\* Color : WZ

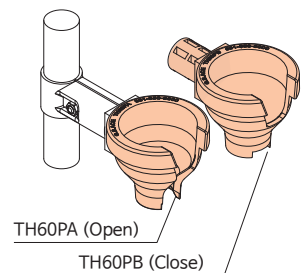
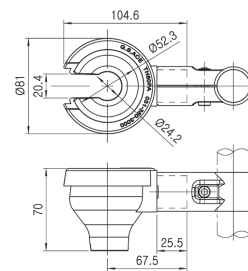


## TH60PA/B Tool Holder



Material	Plastic
Weight	0.082kg
Q'ty/Box	50pcs

\*TH60PA/B : PP (Color : BK)  
\*TH60PNA/B : Nylon6 (Color : Dark Gray)

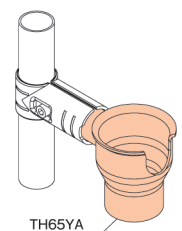
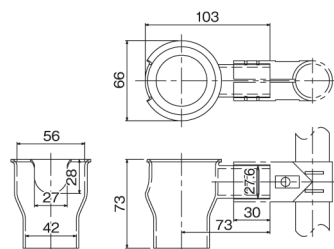


## TH65YA Tool Holder



Material	Steel
Weight	0.197kg
Q'ty/Box	25pcs

\* Color : WZ

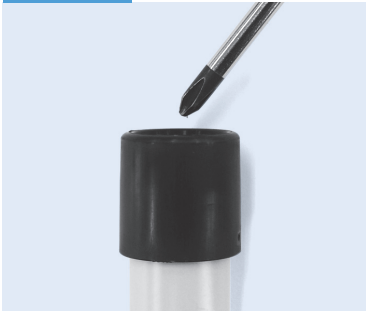


# ACCESSORIES OTHER

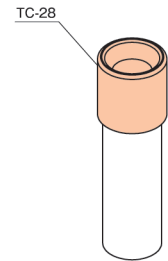
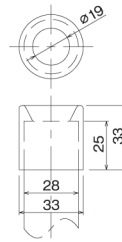
\* Surface Treatment - WZ/BK

Unit : mm

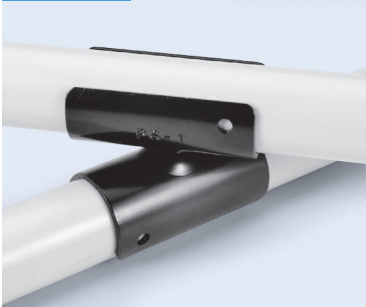
## TC-28 Tool Cap



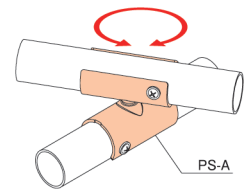
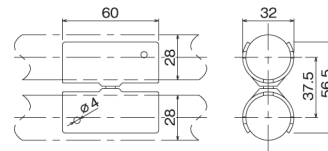
Material	Rubber
Weight	0.012kg
Q'ty/Box	600pcs



## PS-A Rotating Cross Joint



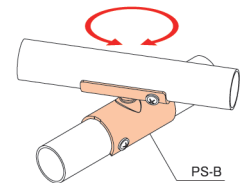
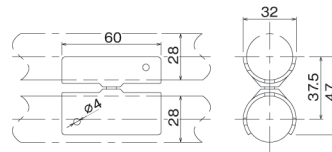
Material	Steel
Weight	0.128kg
Q'ty/Box	96pcs



## PS-B Rotating Cross Joint



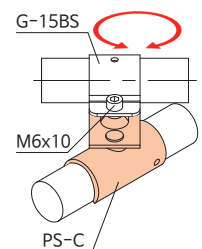
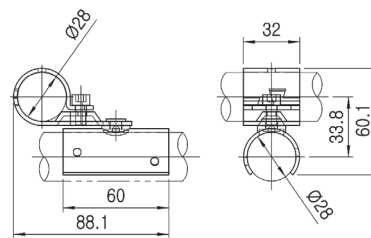
Material	Steel
Weight	0.104kg
Q'ty/Box	96pcs



## PS-C Rotating Cross Joint



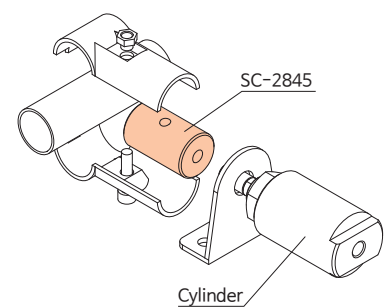
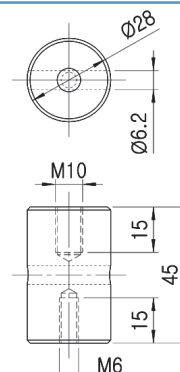
Material	Steel
Weight	0.105kg
Q'ty/Box	96pcs



## SC-2845 Shaft Cylinder



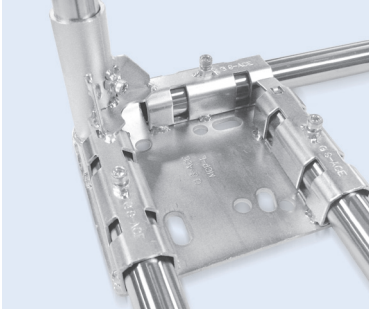
Material	Steel
Weight	0.190kg
Q'ty/Box	90pcs



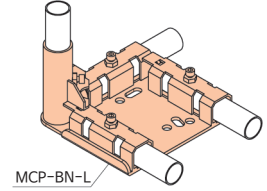
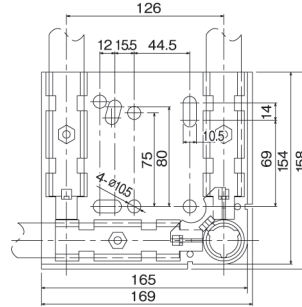
\* Surface Treatment - WZ/BK

Unit : mm

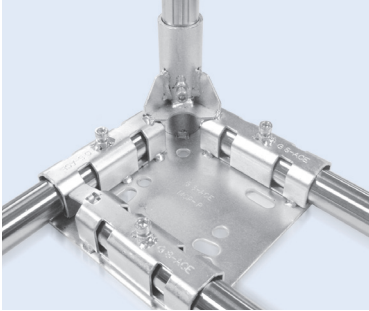
## MCP-BN-L Mount Corner Plate-Left



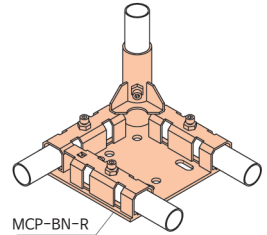
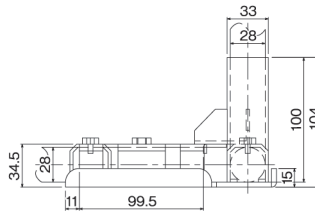
Material	Steel
Weight	1.478kg
Q'ty/Box	12pcs



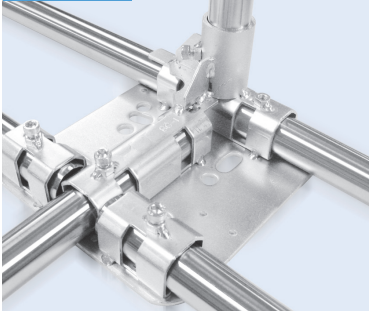
## MCP-BN-R Mount Corner Plate-Right



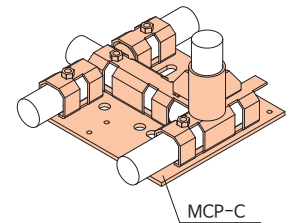
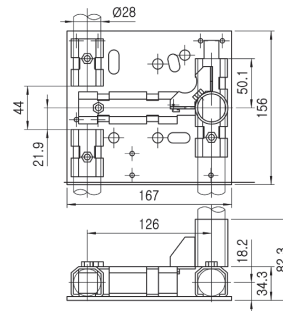
Material	Steel
Weight	1.478kg
Q'ty/Box	12pcs



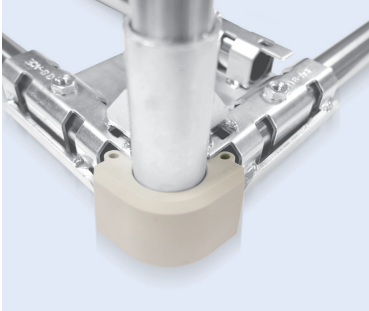
## MCP-C Mount Center Plate



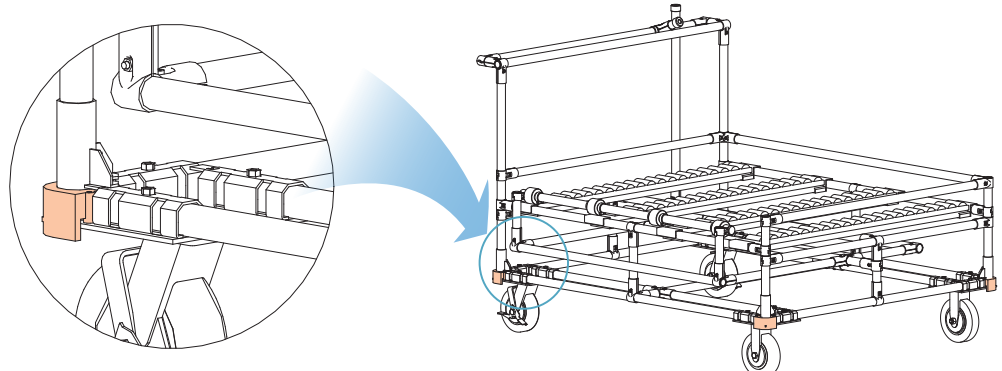
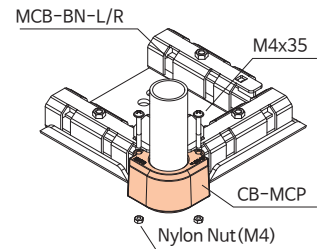
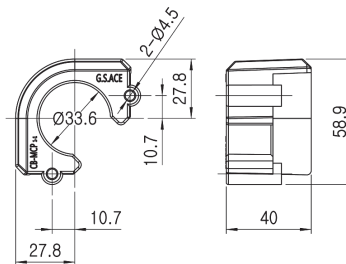
Material	Steel
Weight	1.28kg
Q'ty/Box	12pcs



## CB-MCP Corner Bumper



Material	Rubber
Weight	0.034kg
Q'ty/Box	150pcs

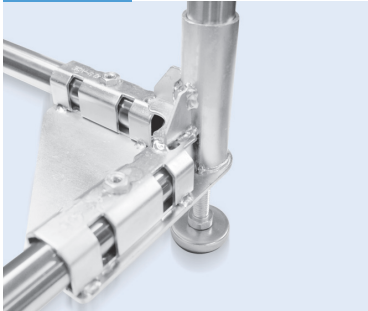


# ACCESSORIES OTHER

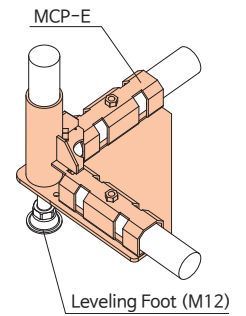
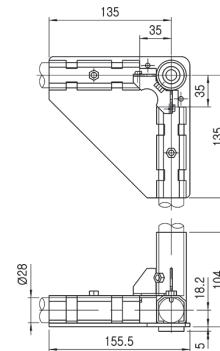
\* Surface Treatment - WZ/BK

Unit : mm

## MCP-E Mount Corner Plate



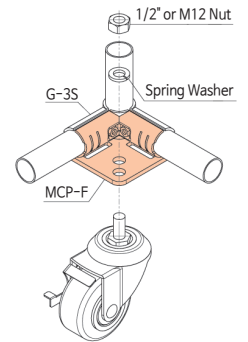
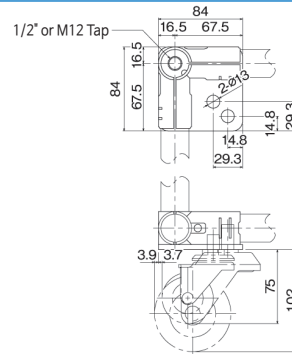
Material	Steel
Weight	1.110kg
Q'ty/Box	12pcs



## MCP-F(A/B) Metal Corner Plate



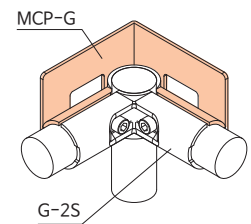
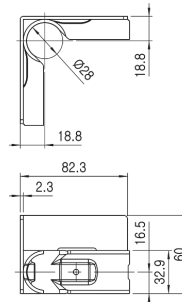
Material	Steel
Weight	0.326kg
Q'ty/Box	30pcs



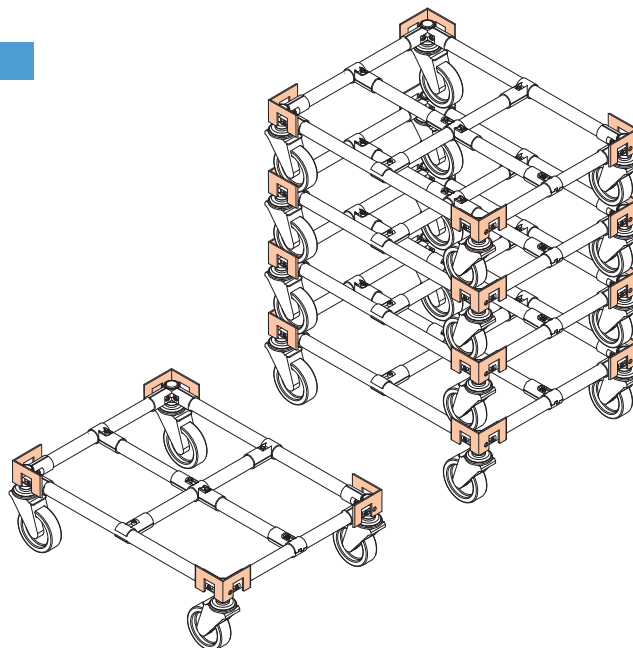
## MCP-G Metal Corner Plate



Material	Steel
Weight	0.260kg
Q'ty/Box	30pcs



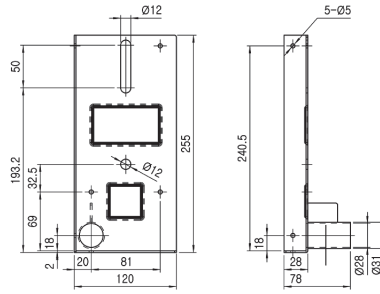
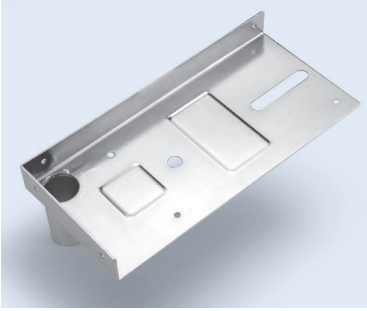
### Example for MCP-G



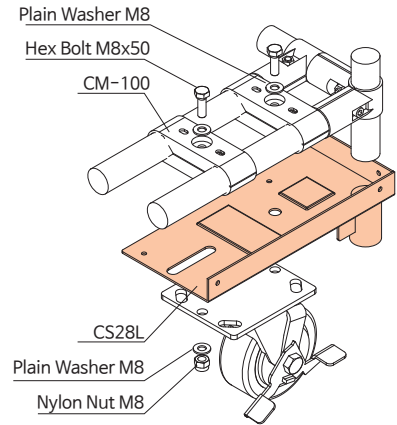
\* Surface Treatment - WZ

Unit : mm

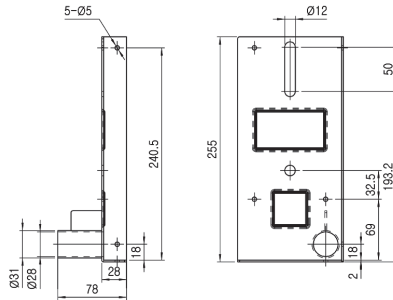
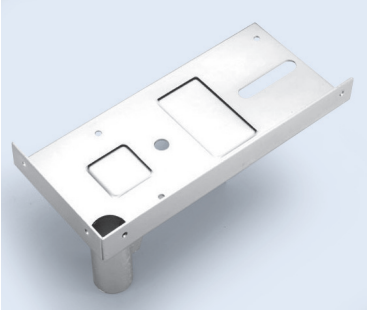
## CS28L Corner Support



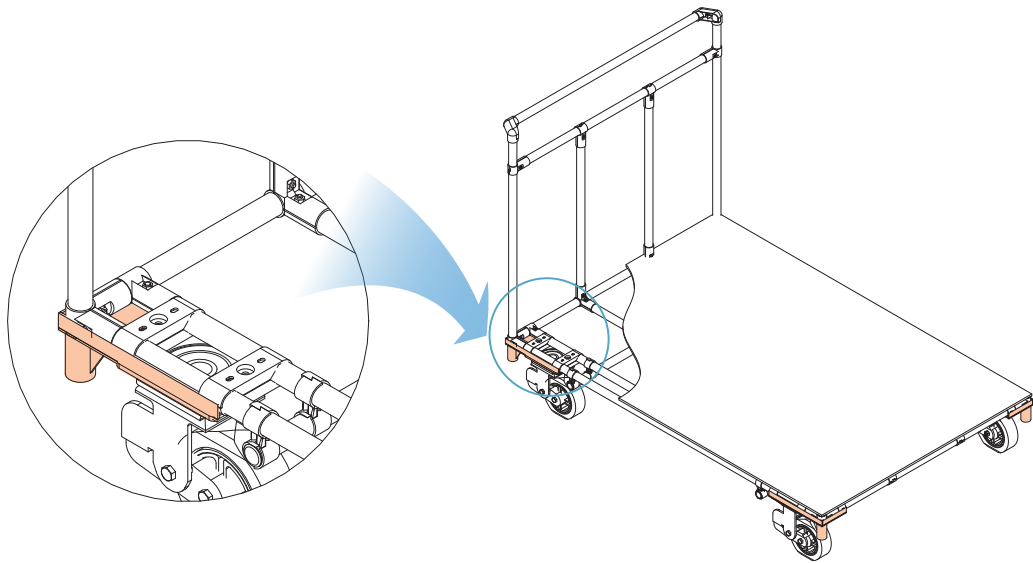
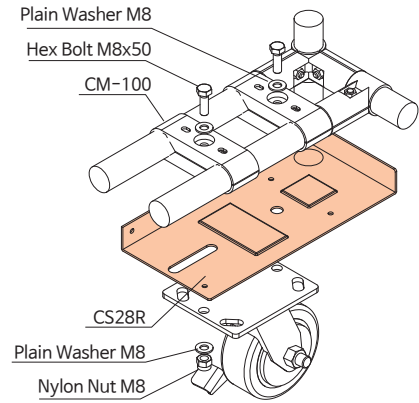
Material	Steel
Weight	0.705kg
Q'ty/Box	24pcs



## CS28R Corner Support



Material	Steel
Weight	0.750kg
Q'ty/Box	24pcs

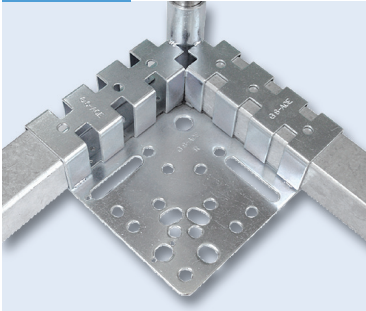




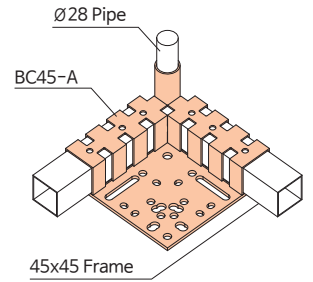
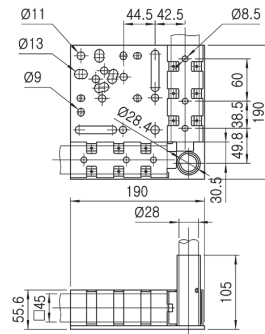
\* Surface Treatment - WZ

Unit : mm

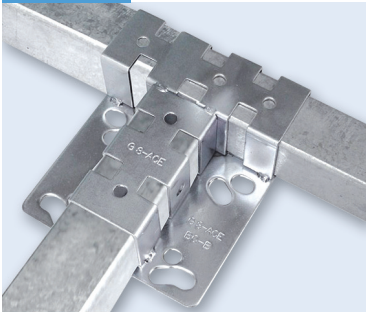
## BC45-A Base Corner



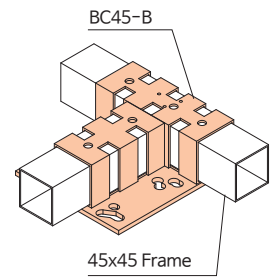
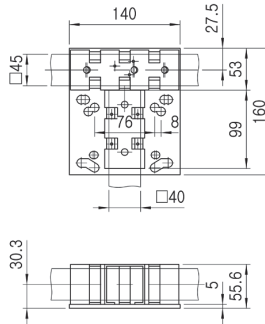
Material	Steel
Weight	1.85kg
Q'ty/Box	8pcs



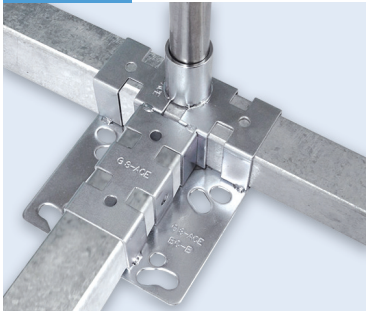
## BC45-B Base Corner



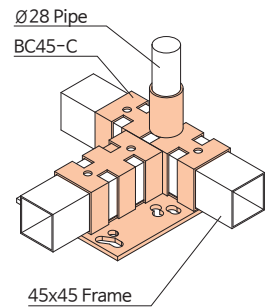
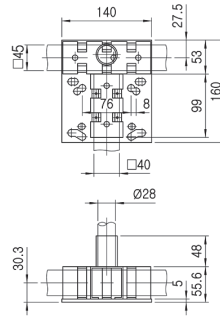
Material	Steel
Weight	1.170kg
Q'ty/Box	16pcs



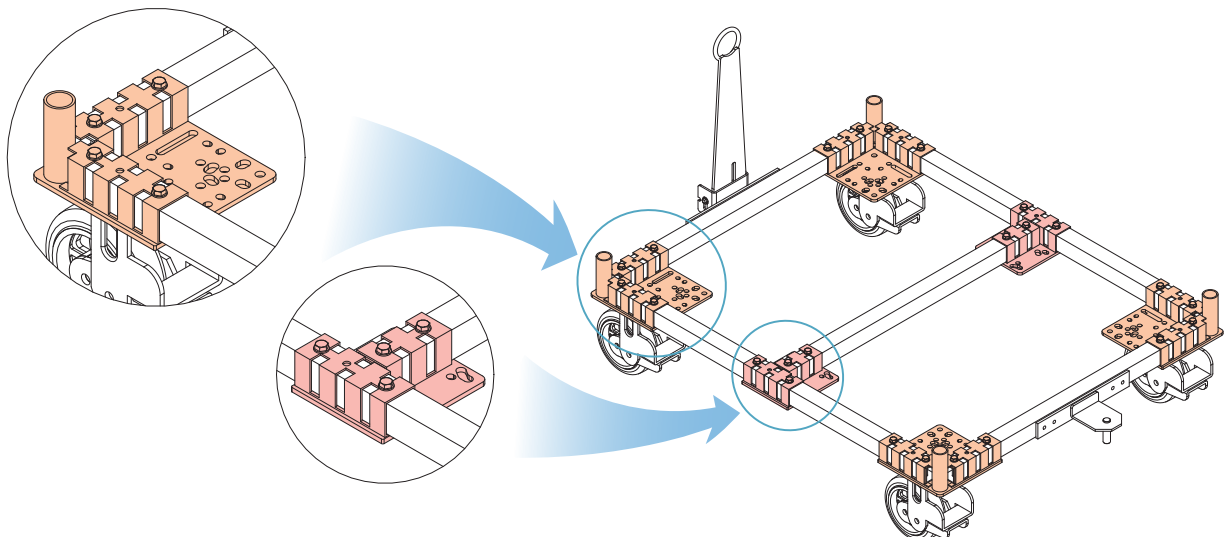
## BC45-C Base Corner



Material	Steel
Weight	1.280kg
Q'ty/Box	4pcs



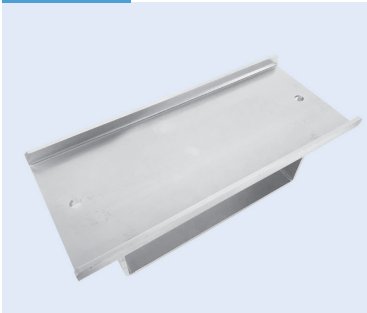
## Example for Base Corner



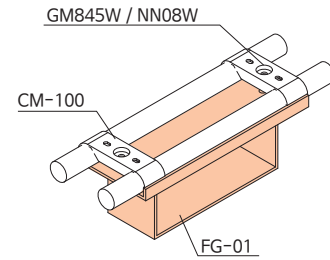
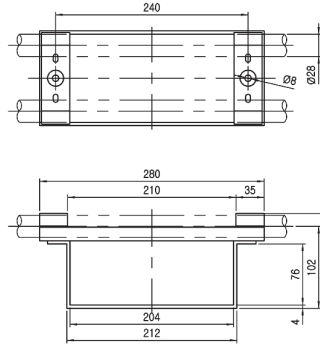
\* Surface Treatment - WZ

Unit : mm

## FG-01 Fork Guide



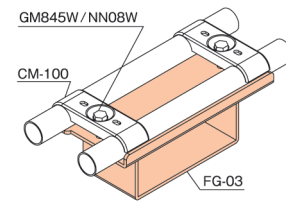
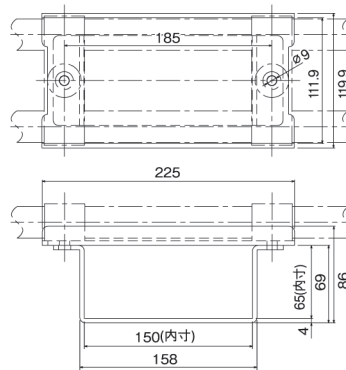
Material	Steel
Weight	2.440kg
Q'ty/Box	2pcs



## FG-03 Fork Guide



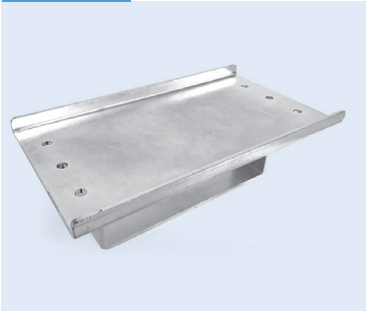
Material	Steel
Weight	1.770kg
Q'ty/Box	2pcs



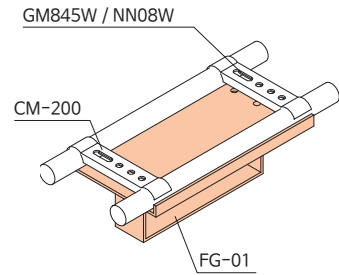
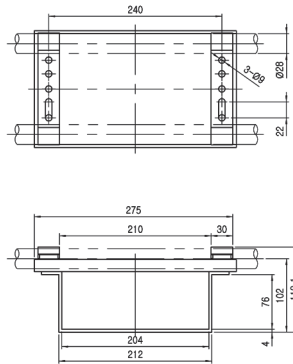
\* Surface Treatment - WZ

Unit : mm

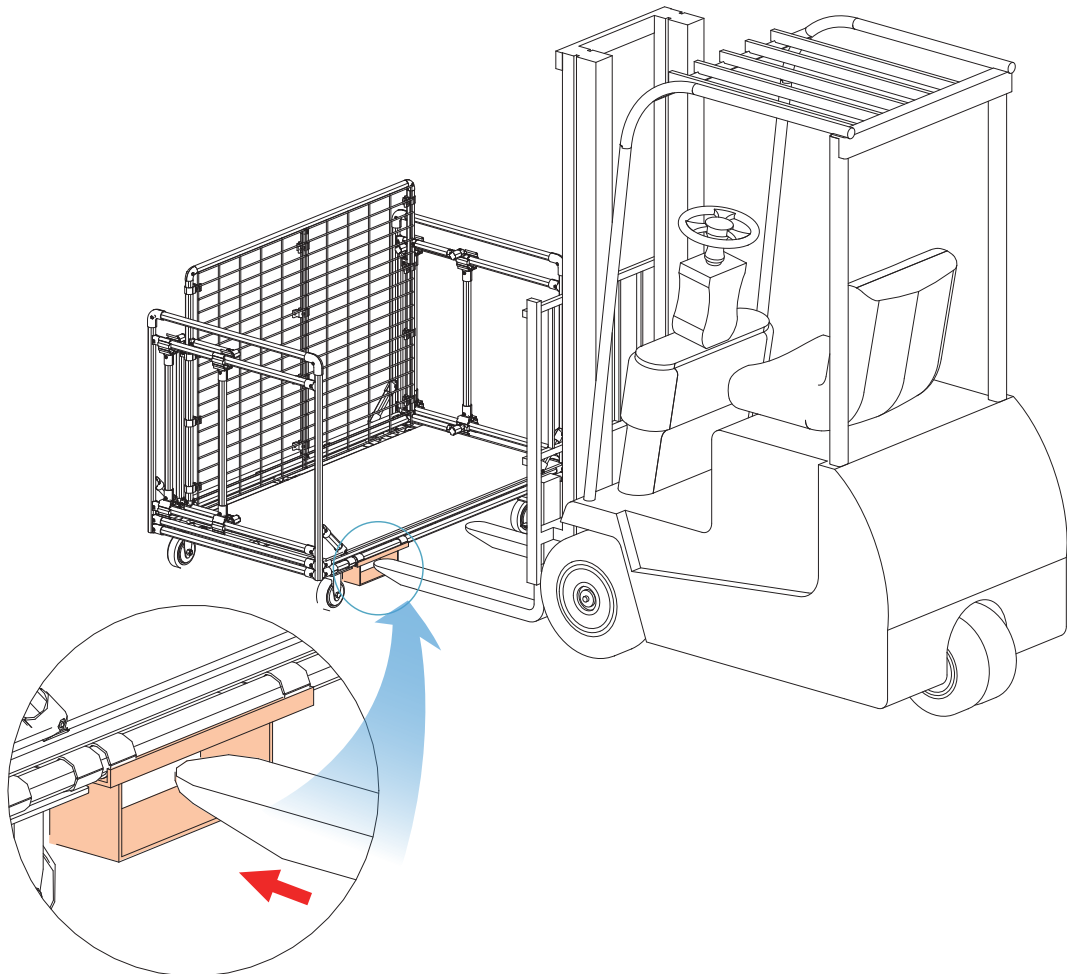
## FG-04 Fork Guide



Material	Steel
Weight	2.300kg
Q'ty/Box	2pcs



## Example for Fork Guide



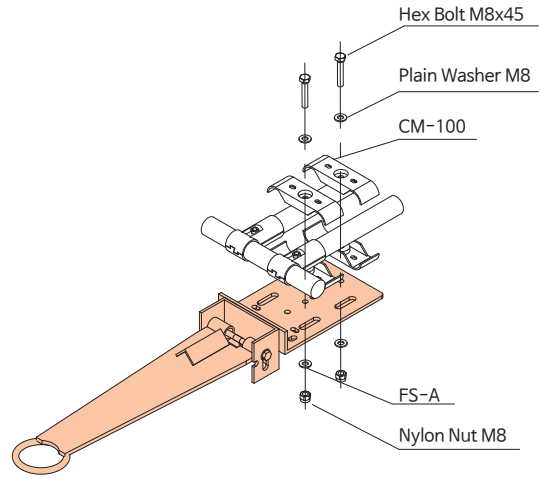
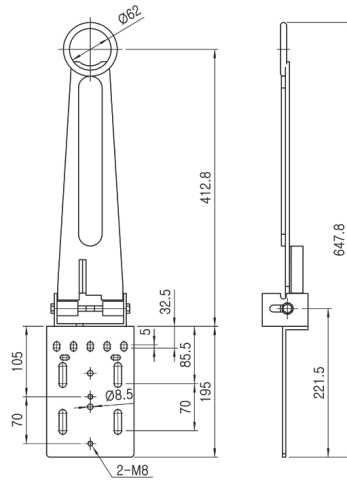
\* Surface Treatment - WZ

Unit : mm

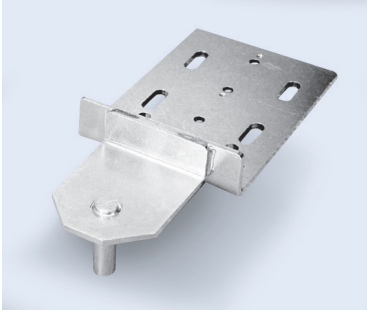
## FS-A Front Haul Ass'y-Spring Type



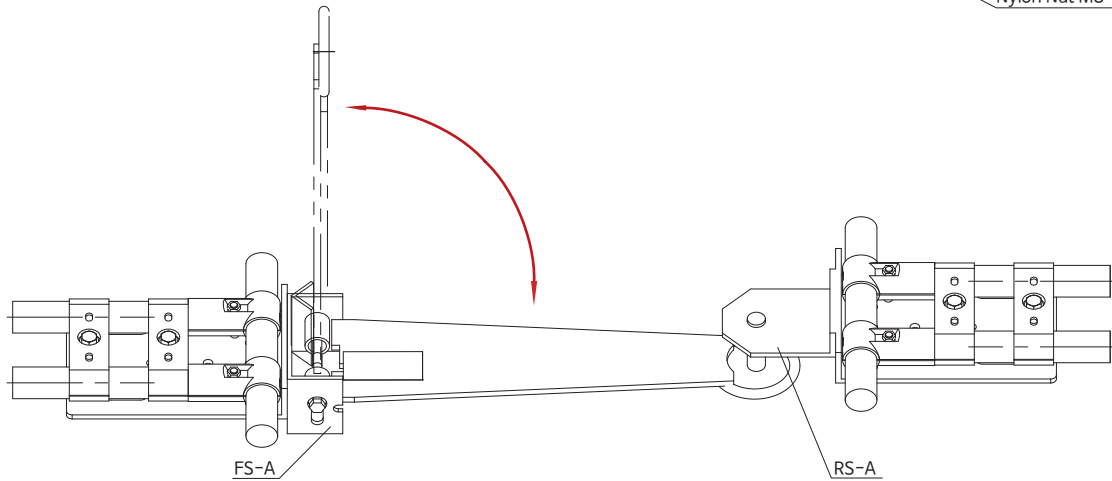
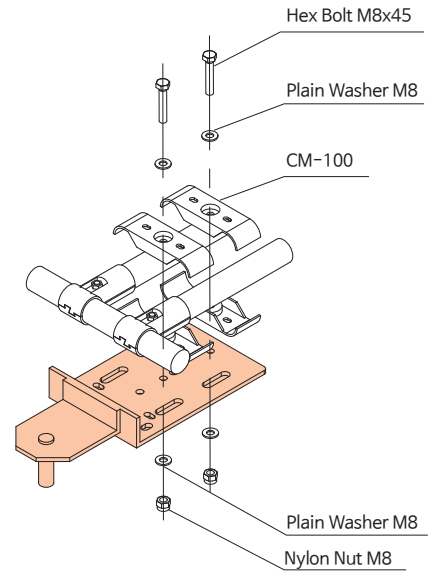
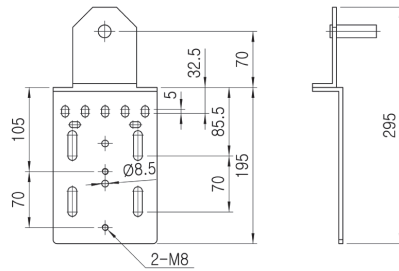
Material	Steel
Weight	3.400kg
Q'ty/Box	4pcs



## RS-A Rear Haul Ass'y-Spring Type



Material	Steel
Weight	1.500kg
Q'ty/Box	4 pcs



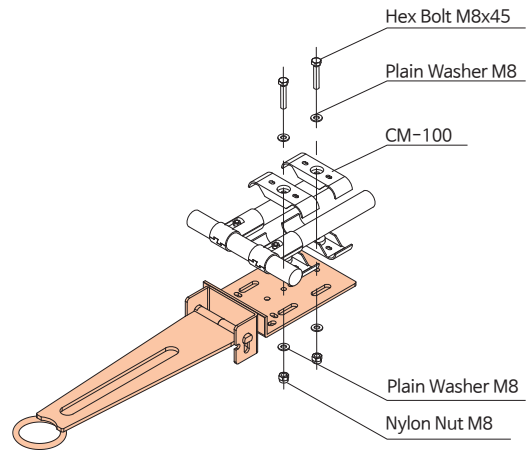
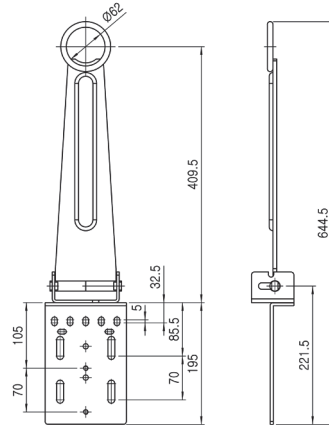
\* Surface Treatment - WZ

Unit : mm

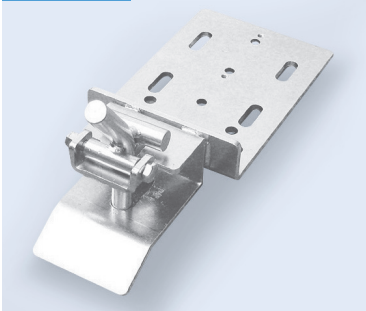
## FQ-B Front Haul Ass'y-Quicking Type



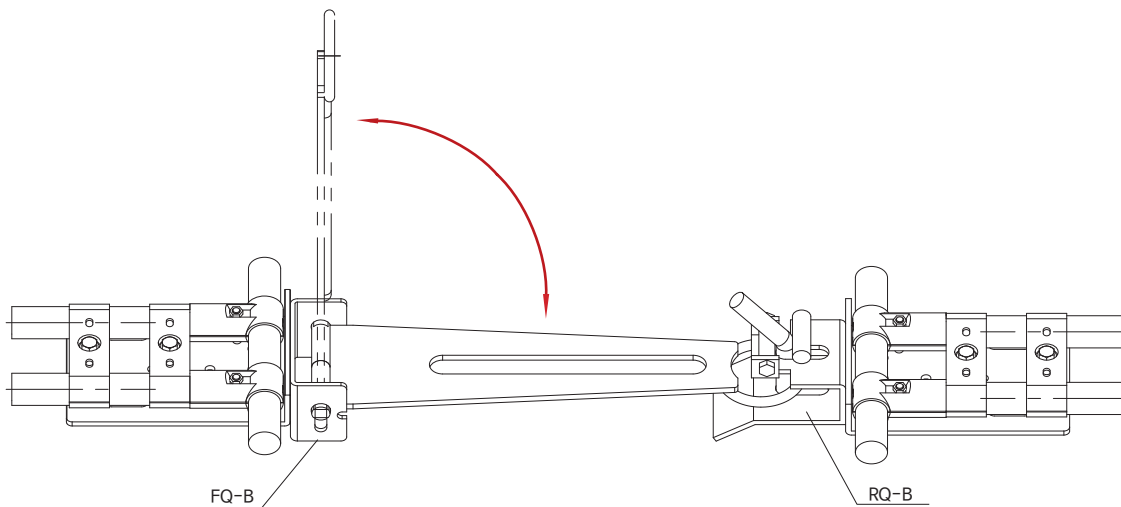
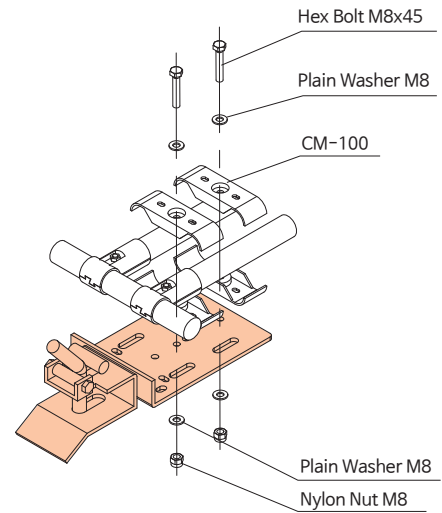
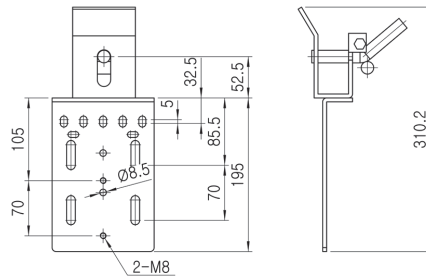
Material	Steel
Weight	3.100kg
Q'ty/Box	4pcs



## RQ-B Rear Haul Ass'y-Quicking Type



Material	Steel
Weight	2.100kg
Q'ty/Box	4pcs



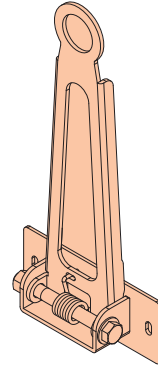
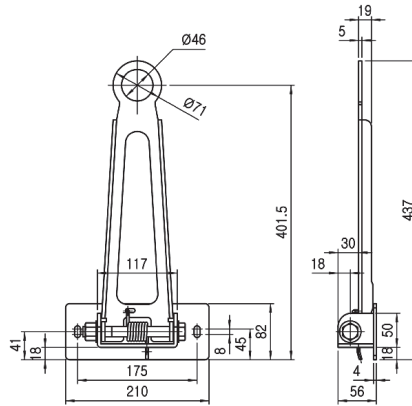
\* Surface Treatment - WZ

Unit : mm

## FS-AN-1 Front Haul Ring Ass'y



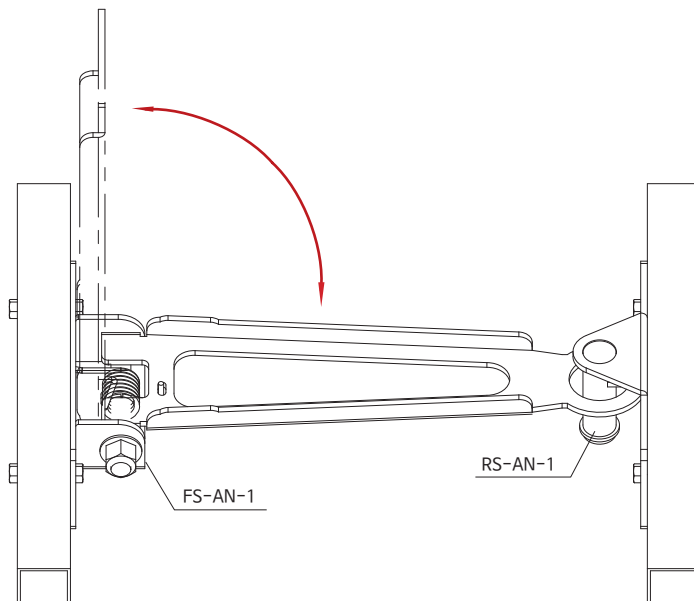
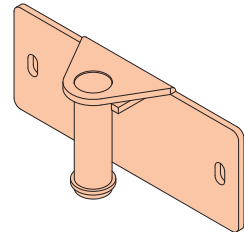
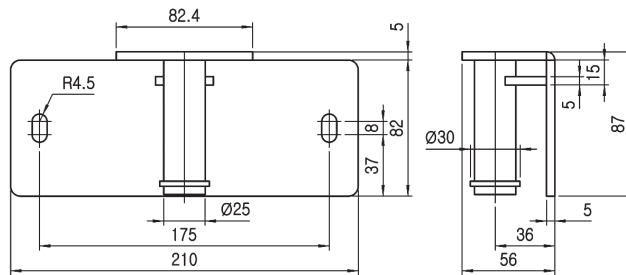
Material	Steel
Weight	2.046kg
Q'ty/Box	6pcs



## RS-AN-1 Rear Haul Ring Ass'y



Material	Steel
Weight	1.090kg
Q'ty/Box	28pcs



# ACCESSORIES OTHER

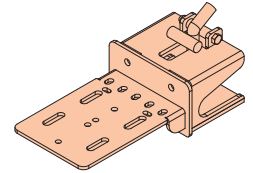
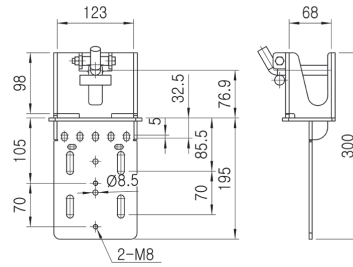
\* Surface Treatment - WZ

Unit : mm

## RQ-C Rear Haul Ass'y-Quicking Type



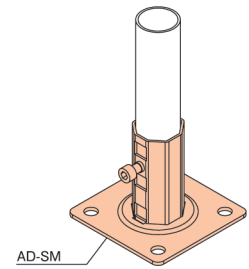
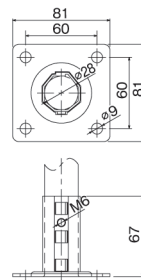
Material	Steel
Weight	3.380kg
Q'ty/Box	6pcs



## AD-SM Stanchion Mount Single



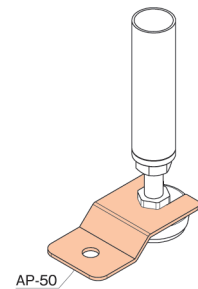
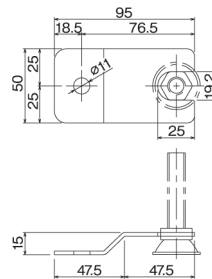
Material	Steel
Weight	0.198kg
Q'ty/Box	20pcs



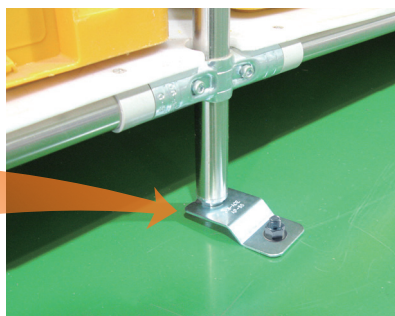
## AP-50 Anchor Plate (Prevention from moving by shake & shock)



Material	Steel
Weight	0.052kg
Q'ty/Box	220pcs



### Example for AP-50



# ACCESSORIES OTHER

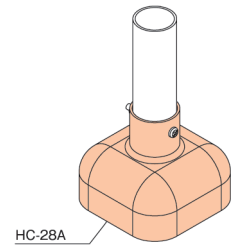
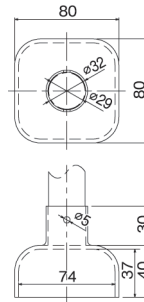
\* Surface Treatment - WZ

Unit : mm

## HC28A Hole Cup-A



Material	Steel
Weight	0.300kg
Q'ty/Box	20pcs

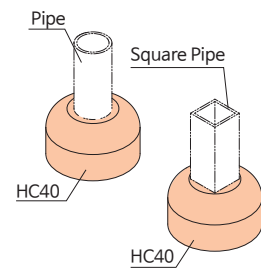
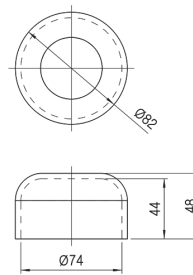


## HC40 Hole Cup

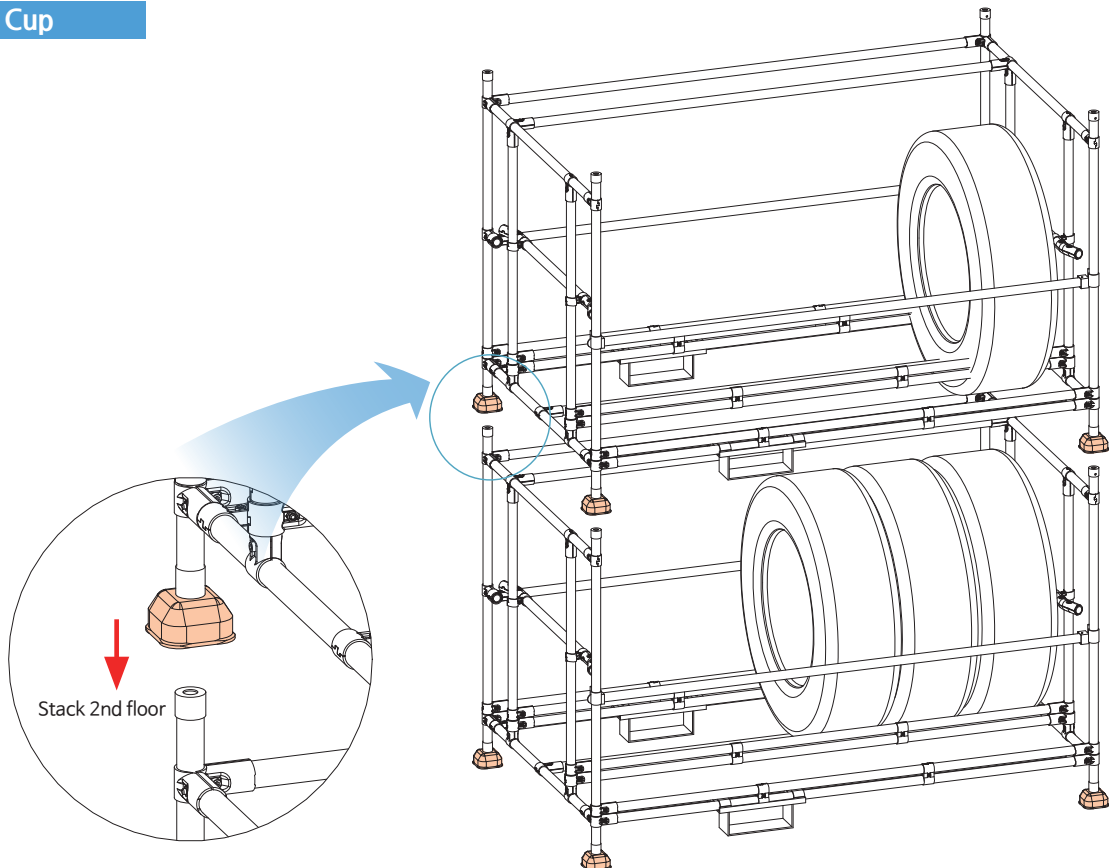


Material	Steel
Weight	0.394kg
Q'ty/Box	-

Can be used to stack 2nd floor Trolley with welding round or Square pipe



## Example for Hole Cup





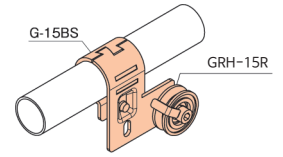
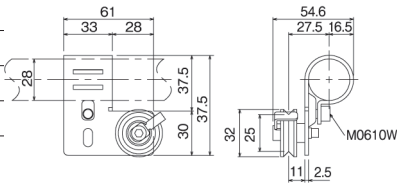
\* Surface Treatment - WZ

Unit : mm

## GRHA-15R Bearing Pulley Ass'y (Right)



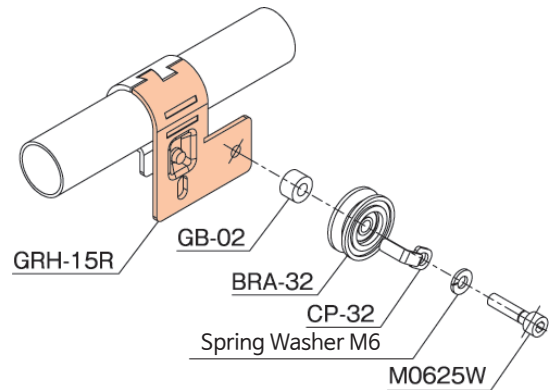
Material	Steel
Weight	0.129kg
Q'ty/Box	-



## GRH-15R Pulley Holder BKT (Right)



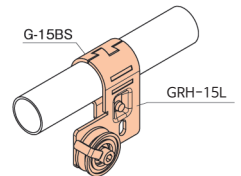
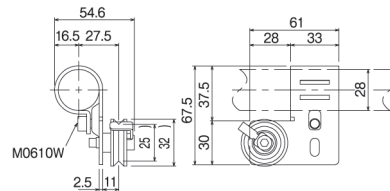
Material	Steel
Weight	0.055kg
Q'ty/Box	270pcs



## GRHA-15L Bearing Pulley Ass'y (Left)



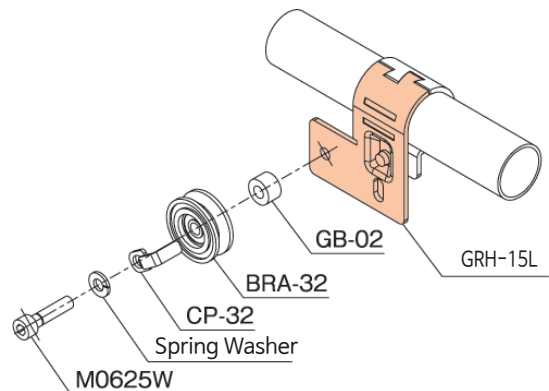
Material	Steel
Weight	0.129kg
Q'ty/Box	-



## GRH-15L Pulley Holder BKT (Left)



Material	Steel
Weight	0.055kg
Q'ty/Box	270pcs



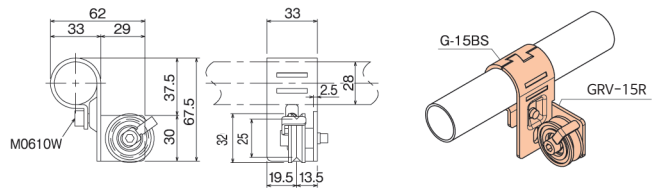
\* Surface Treatment - WZ

Unit : mm

## GRVA-15R Bearing Pulley Ass'y (Right)



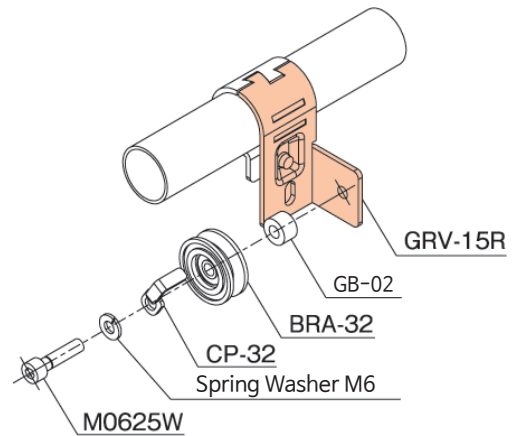
Material	Steel
Weight	0.122kg
Q'ty/Box	-



## GRV-15R Pulley Holder BKT (Right)



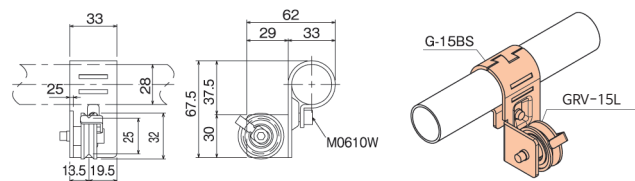
Material	Steel
Weight	0.055kg
Q'ty/Box	240pcs



## GRVA-15L Bearing Pulley Ass'y (Left)



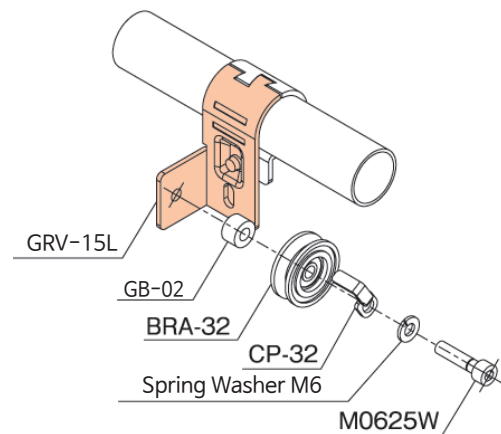
Material	Steel
Weight	0.122kg
Q'ty/Box	-



## GRV-15L Pulley Holder BKT (Left)



Material	Steel
Weight	0.055kg
Q'ty/Box	240pcs



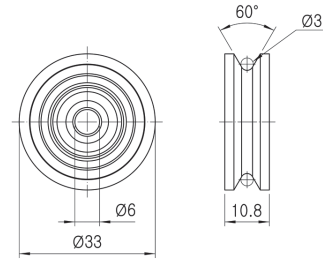
\* Surface Treatment - WZ

Unit : mm

## BRA-32 Bearing Pulley



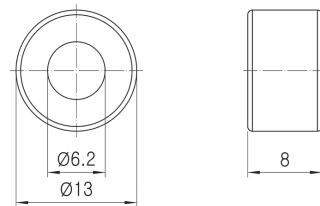
Material	Steel
Weight	0.012kg
Q'ty/Box	1,000pcs



## GB-02 Gap Bushing



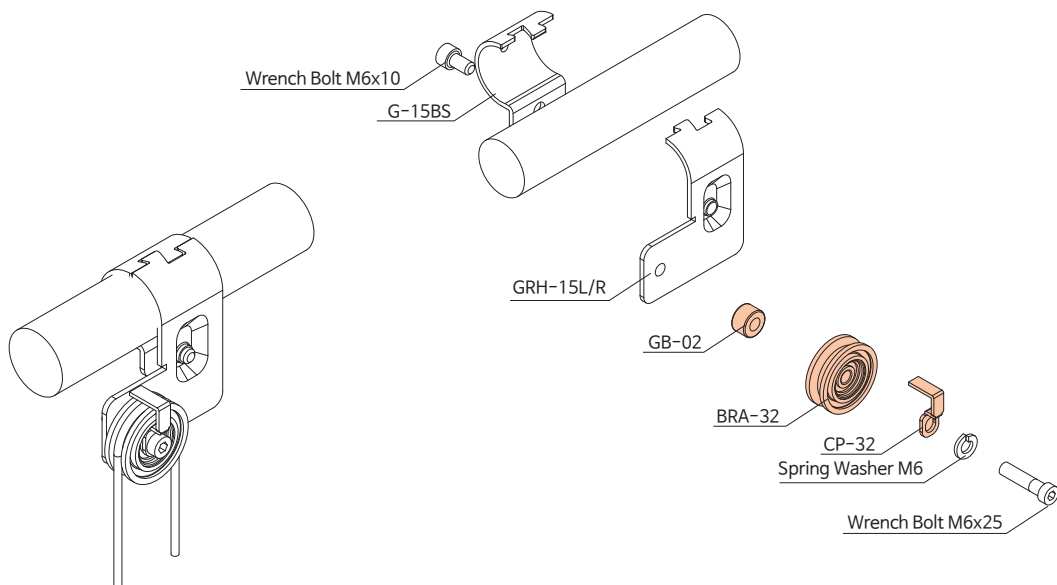
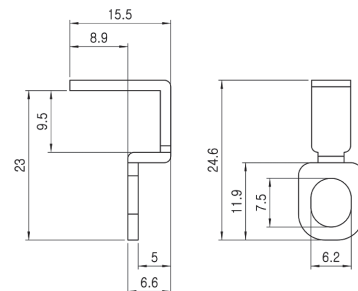
Material	Steel
Weight	0.0061kg
Q'ty/Box	2,000pcs



## CP-32 Wire Holder (Part for preventing from Wire falling)

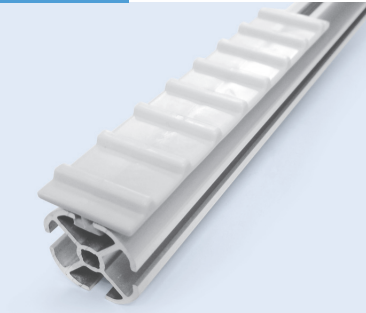


Material	Steel
Weight	0.004kg
Q'ty/Box	3,000pcs



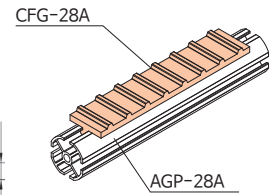
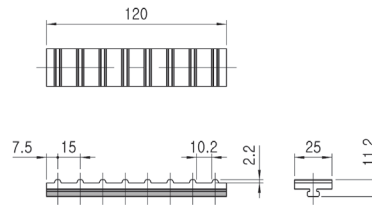
Unit : mm

## CFG-28A Chassis Frame Guide

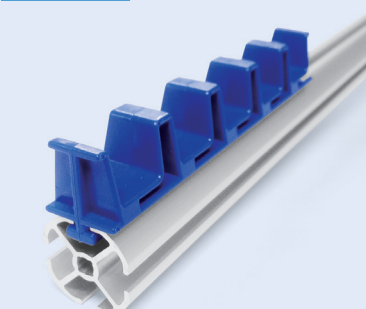


Material	Rubber
Weight	0.021kg
Q'ty/Box	450pcs

\* Color : Gray

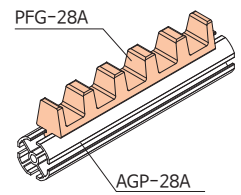
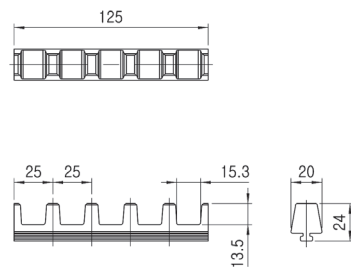


## PFG-28A Panel Frame Guide

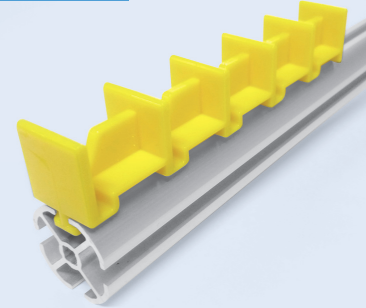


Material	Rubber
Weight	0.022kg
Q'ty/Box	450pcs

\* Color : Blue

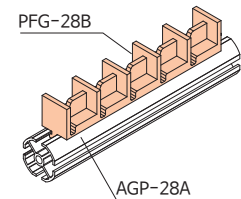
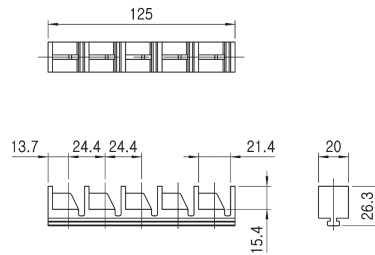


## PFG-28B Panel Frame Guide

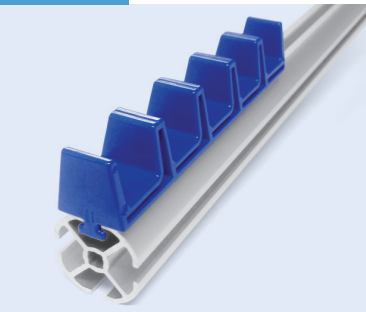


Material	Rubber
Weight	0.023kg
Q'ty/Box	450pcs

\* Color : Yellow

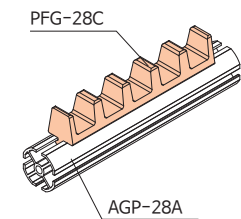
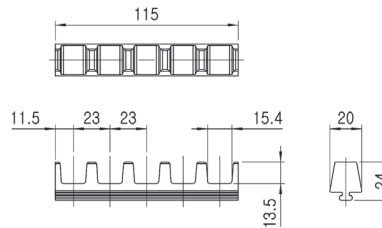


## PFG-28C Panel Frame Guide

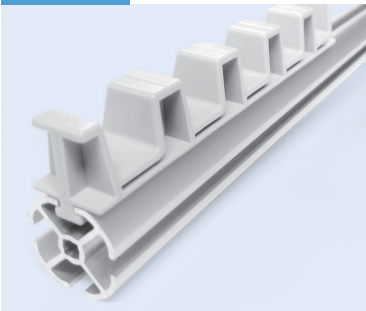


Material	Rubber
Weight	0.022kg
Q'ty/Box	450pcs

\* Color : Blue

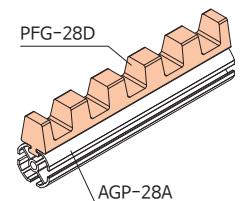
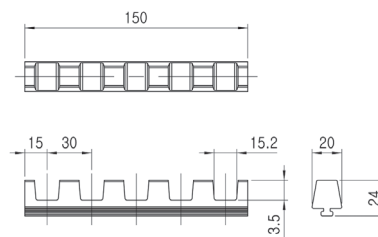


## PFG-28D Panel Frame Guide



Material	Rubber
Weight	0.030kg
Q'ty/Box	450pcs

\* Color : Gray



# ACCESSORIES OTHER

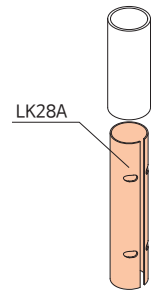
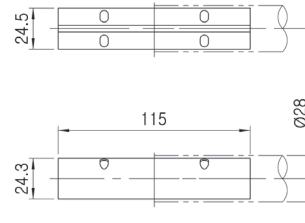
\* Surface Treatment - WZ

Unit : mm

## LK28A Pipe Connector (Coated Pipe)



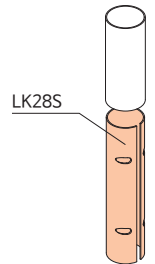
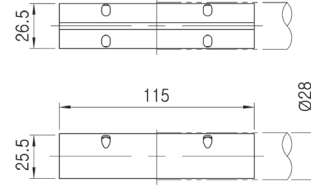
Material	Steel
Weight	0.046kg
Q'ty/Box	120pcs



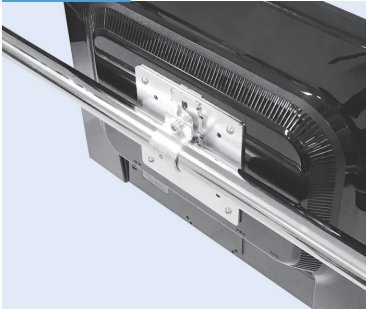
## LK28S Pipe Connector (STS/Eco Pipe)



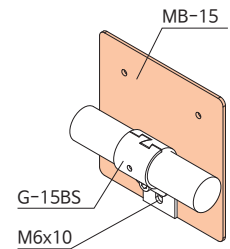
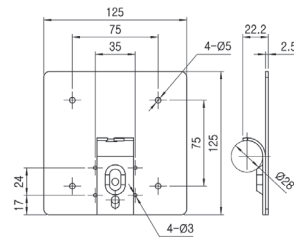
Material	Steel
Weight	0.046kg
Q'ty/Box	120pcs



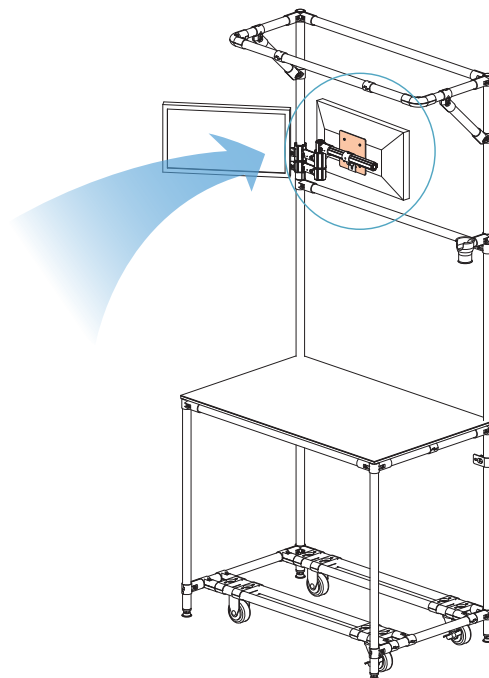
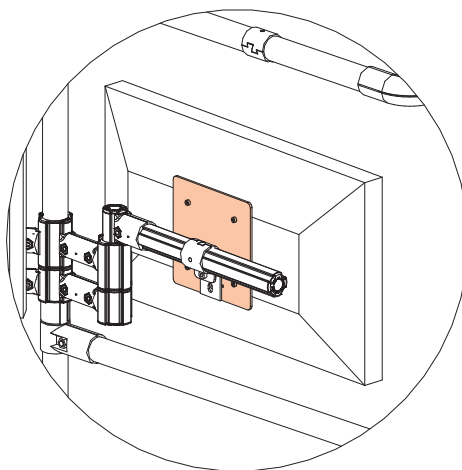
## MB-15 Monitor Bracket (VESA Hole standard)



Material	Steel
Weight	0.350kg
Q'ty/Box	20pcs



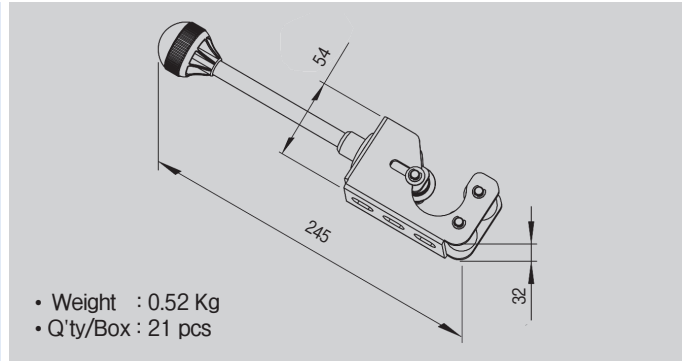
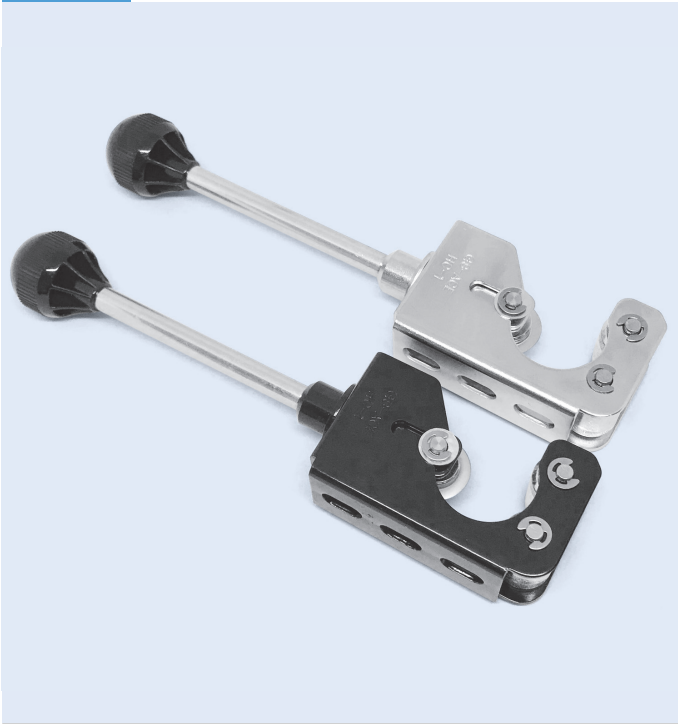
## Example for Fork Guide



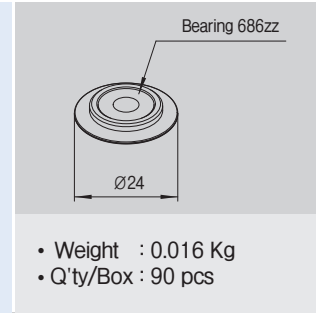
\* Surface Treatment - BK/Ni

Unit : mm

## HC-1 Pipe Hand Cutter



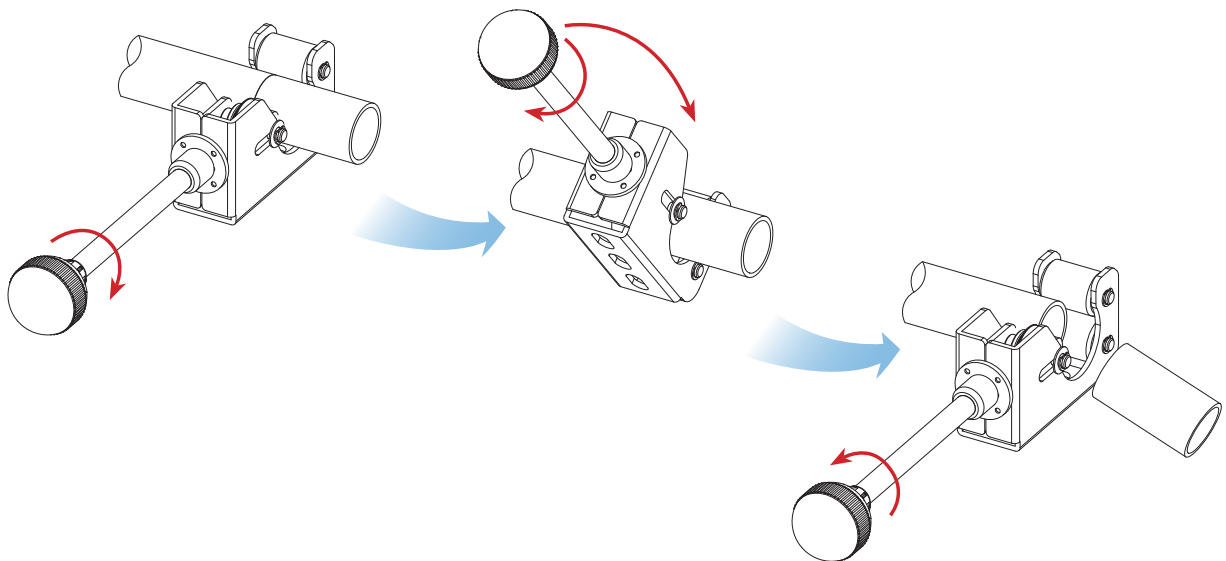
## PK-1 Pipe Cutter Knife



\* Pipe cutter for quick & safe cutting to DIY (Customer) & Production line.

1. Range :  $\varnothing 26 \sim \varnothing 30$
2. Material : STS-Pipe, Coated-Pipe, Steel-Pipe
3. Pipe Hand Cutter (HC-1) 1 set : including Pipe Cutter Knife(P K-1) 1EA and Bearing 1EA
4. Spare Pipe Cutter Knife (PK-1) can be purchased separately and when purchase PK-1, Bearing would be included.

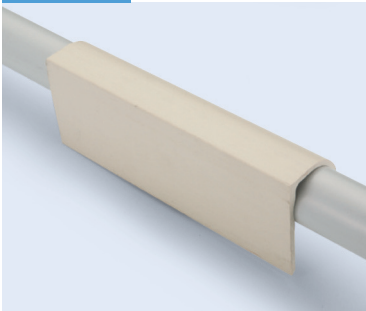
\* Knife for Pipe Hand Cutter (HC-1)



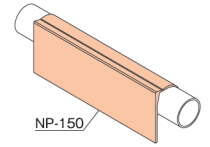
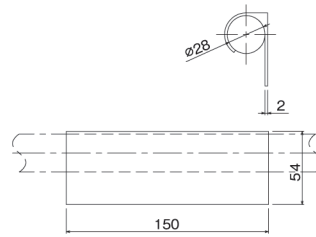
# ACCESSORIES NAME PLATE

Unit : mm

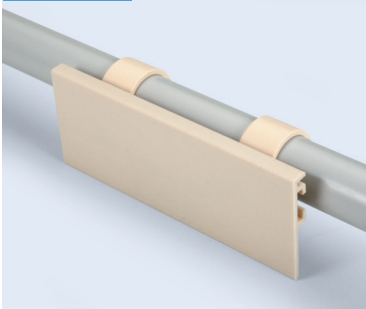
## NP-A Name Plate



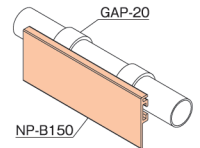
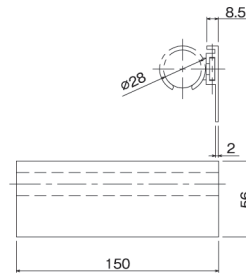
Material	PVC
Weight	0.080kg
Q'ty/Box	180pcs



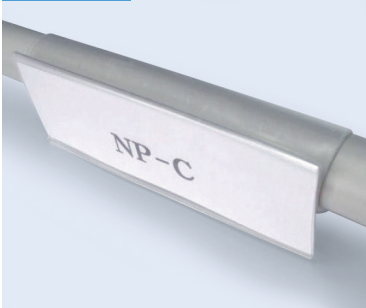
## NP-B Name Plate



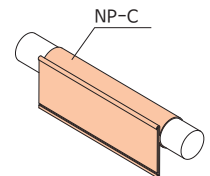
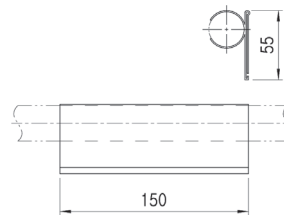
Material	PVC
Weight	0.047kg
Q'ty/Box	360pcs



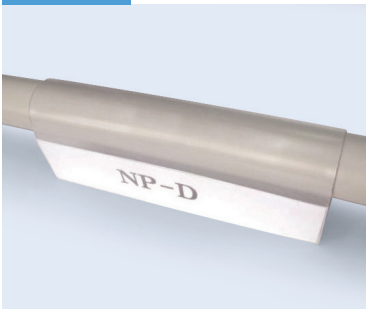
## NP-C Name Plate



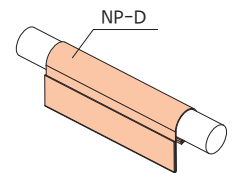
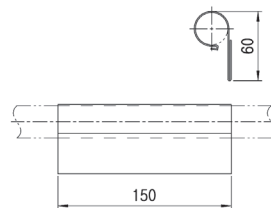
Material	PVC
Weight	0.035kg
Q'ty/Box	190pcs



## NP-D Name Plate



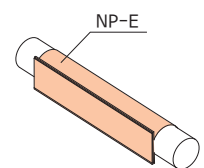
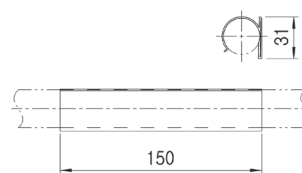
Material	PVC
Weight	0.032kg
Q'ty/Box	190pcs



## NP-E Name Plate



Material	PVC
Weight	0.023kg
Q'ty/Box	330pcs



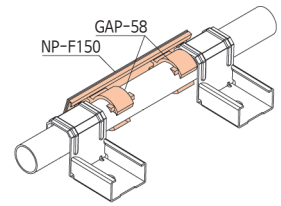
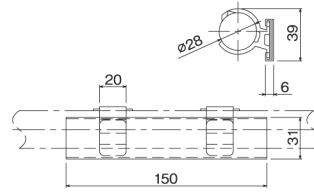
# ACCESSORIES NAME PLATE

Unit : mm

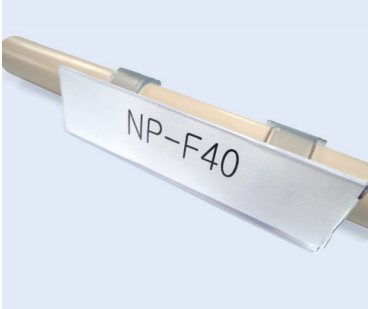
## NP-F Name Plate (Requires GAP-58, sold separately)



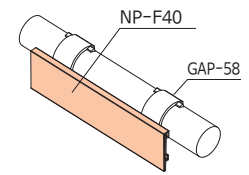
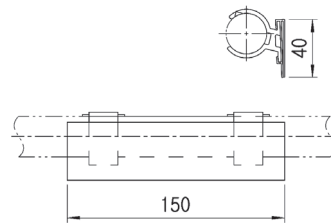
Material	PVC
Weight	0.017kg
Q'ty/Box	1000pcs



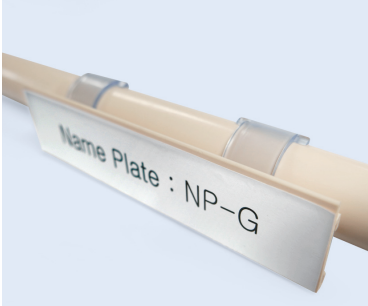
## NP-F40 Name Plate (Requires GAP-58, sold separately)



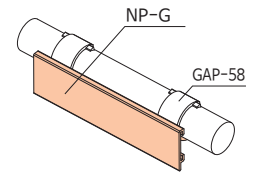
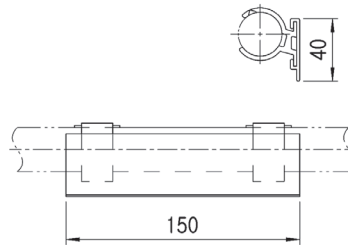
Material	PVC
Weight	0.019kg
Q'ty/Box	1000pcs



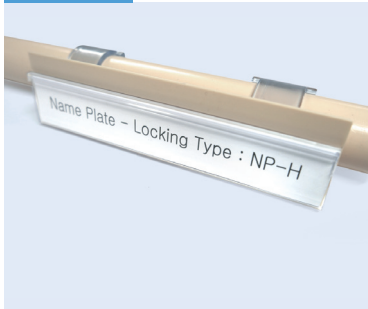
## NP-G Name Plate (Requires GAP-58, sold separately)



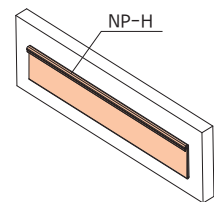
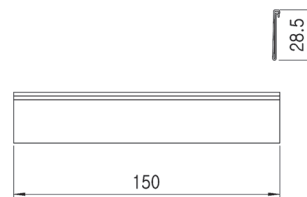
Material	PVC
Weight	0.026kg
Q'ty/Box	360pcs



## NP-H Name Plate (Double-sided adhesive tape Type)



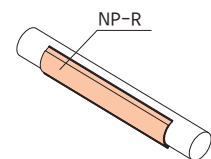
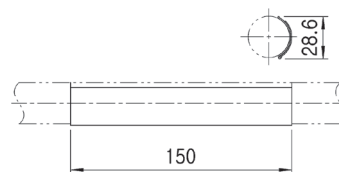
Material	PVC
Weight	0.013kg
Q'ty/Box	1000pcs



## NP-R Name Plate



Material	PVC
Weight	0.011kg
Q'ty/Box	1000pcs



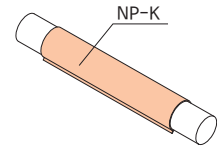
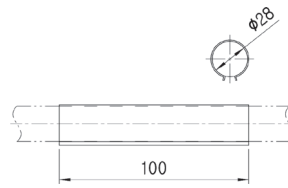


Unit : mm

## NP-K Name Plate



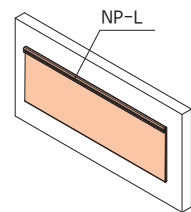
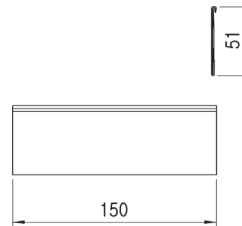
Material	PVC
Weight	0.013kg
Q'ty/Box	300pcs



## NP-L Name Plate (Double-sided adhesive tape Type)



Material	PVC
Weight	0.020kg
Q'ty/Box	1000pcs



# ACCESSORIES LABEL CASE

Unit : mm

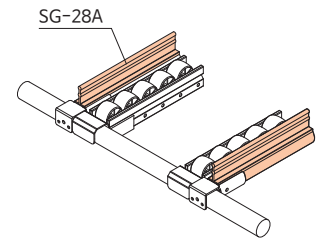
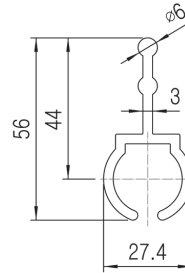
Configuration		Hole	Part No	W	H	Weight (kg)	Q'ty/Box (pcs)
		4 Hole	LA 300*100	300	100	0.040	300
			LA-B 300*120	300	120	0.045	200
			LA-C 300*220 (Horizontal)	300	220	0.084	250
			LA-A3 430*320	430	320	0.177	250
			LC 250*80	250	80	0.024	300
			LC 250*100	250	100	0.030	300
		3 Hole	LC-B 210*80	210	80	0.021	300
			LA-D3 150*60	150	60	0.012	300
			LA-G 230*95	230	95	0.027	1250
			LA-E 210*100	210	100	0.028	850
		2 Hole	LA2 300*100	300	100	0.040	300
			LA 215*160	215	160	0.045	200
			LA-C2 220*300 (Vertical)	220	300	0.080	250
		1 Hole	LA-D 150*60	150	60	0.012	1000
			LA-H 170*135	170	135	0.030	300
			LA-P 136*40	136	40	0.007	300
			LC 180*85	180	85	0.021	300

Unit : mm

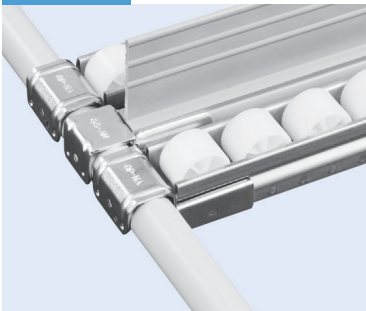
## SG-28A Box Guide



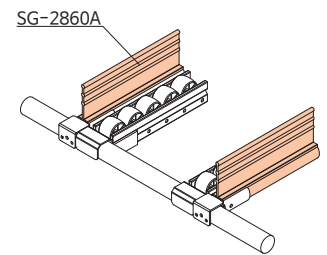
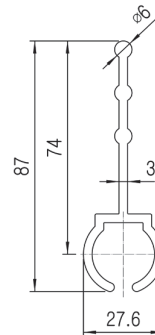
Material	PVC
Length	3,000mm
Weight	0.420kg/m



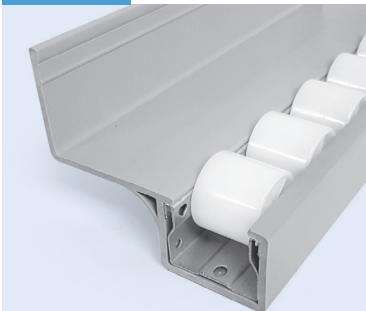
## SG-2860A Box Guide



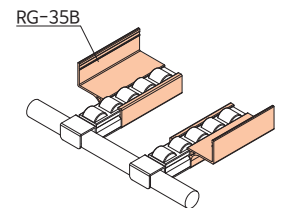
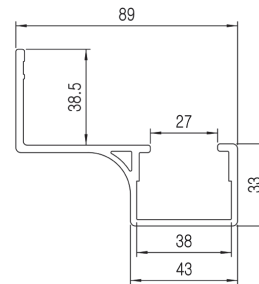
Material	PVC
Length	3,000mm
Weight	0.570kg/m



## RG-35B Box Guide



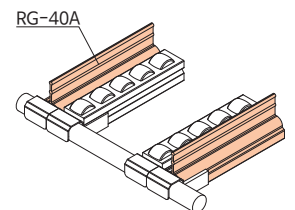
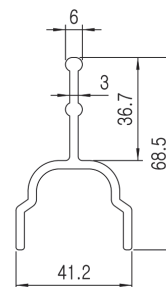
Material	PVC
Length	3,000mm
Weight	0.860kg/m



## RG-40A Box Guide



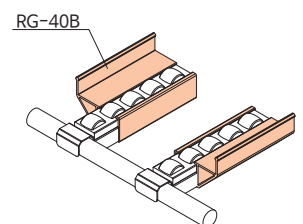
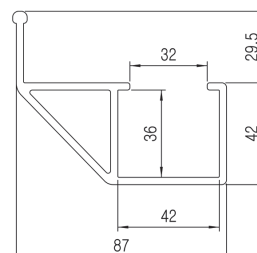
Material	PVC
Length	3,000mm
Weight	0.500kg/m



## RG-40B Box Guide

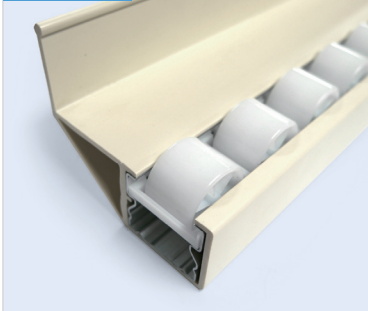


Material	PVC
Length	3,000mm
Weight	0.970kg/m

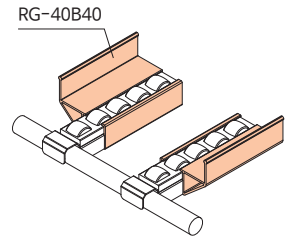
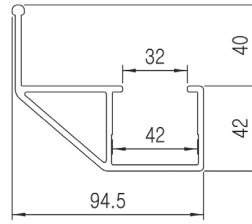


Unit : mm

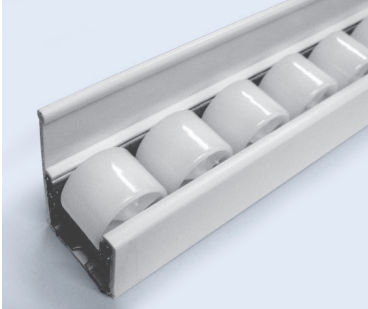
## RG-40B40 Box Guide



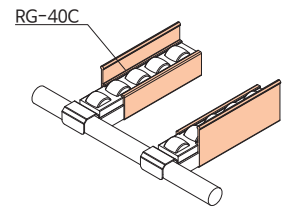
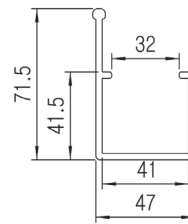
Material	PVC
Length	3,000mm
Weight	1.400kg/m



## RG-40C Box Guide



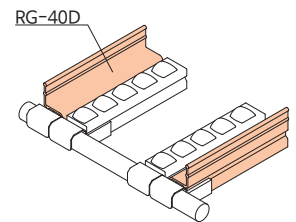
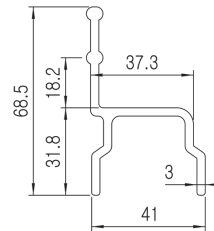
Material	PVC
Length	3,000mm
Weight	0.700kg/m



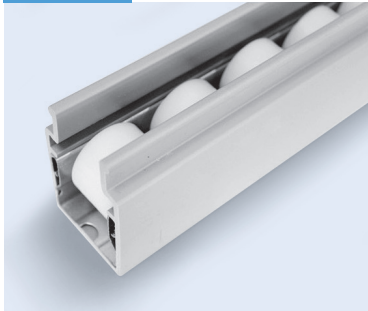
## RG-40D Box Guide



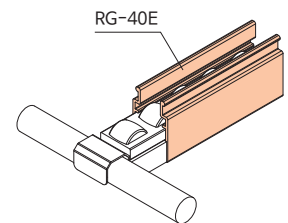
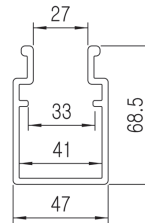
Material	PVC
Length	3,000mm
Weight	570kg/m



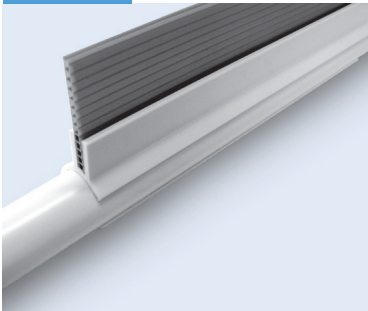
## RG-40E Box Guide



Material	PVC
Length	3,000mm
Weight	0.860kg/m

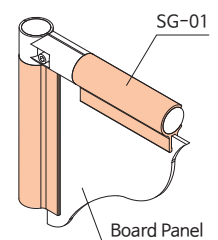
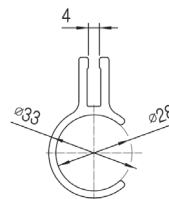


## SG-01 Sheet Guide



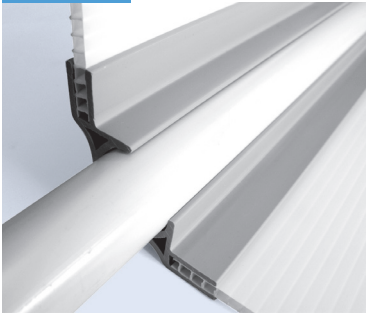
Material	PVC
Length	3,000mm
Weight	0.450kg/m

Use 5mm thickness board panel



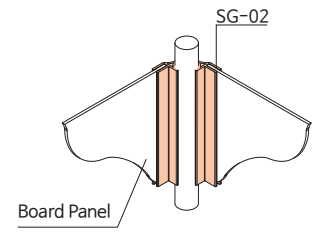
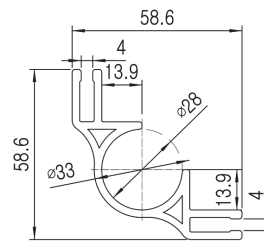
Unit : mm

## SG-02 Sheet Guide

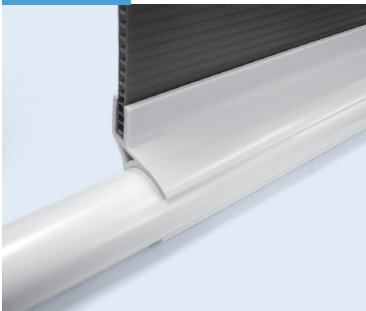


Material	PVC
Length	3,000mm
Weight	0.740kg/m

Use 5mm thickness board panel

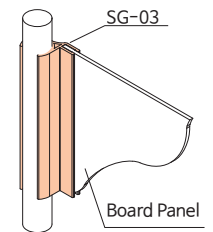
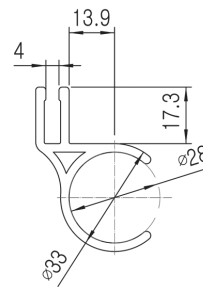


## SG-03 Sheet Guide

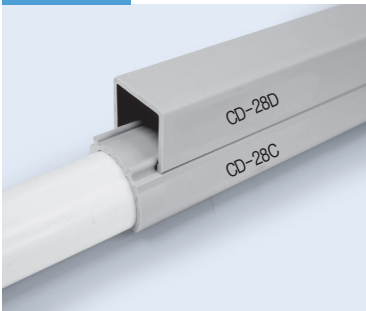


Material	PVC
Length	3,000mm
Weight	0.490kg/m

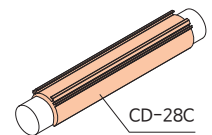
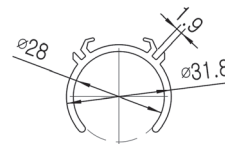
Use 5mm thickness board panel



## CD-28C Cable Duct



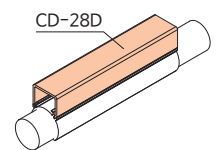
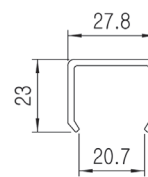
Material	PVC
Length	3,000mm
Weight	0.260kg/m



## CD-28D Cable Duct



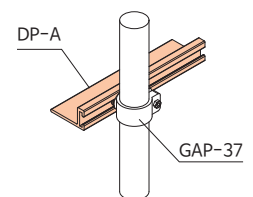
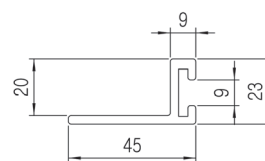
Material	PVC
Length	3,000mm
Weight	0.220kg/m



## DP-A Dust Plate

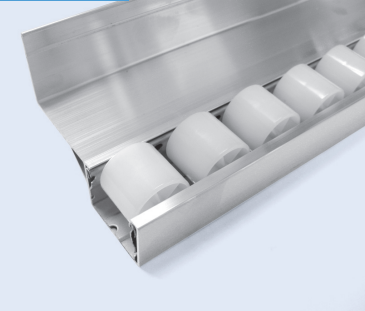


Material	PVC
Length	3,000mm
Weight	0.360kg/m

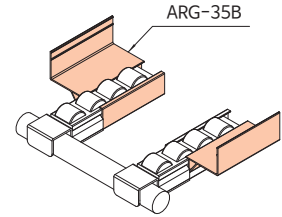
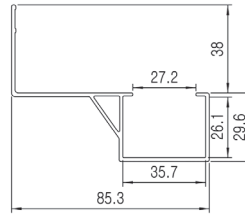


Unit : mm

## ARG-35B Box Guide- ESD



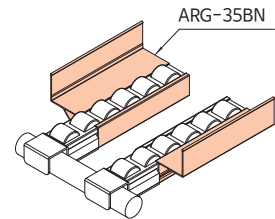
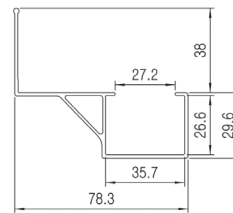
Material	Aluminum
Length	4,000mm
Weight	0.79kg/m



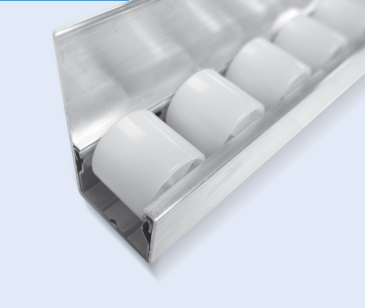
## ARG-35BN Box Guide- ESD



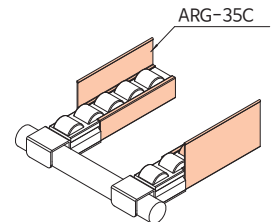
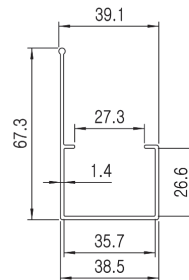
Material	Aluminum
Length	4,000mm
Weight	0.81kg/m



## ARG-35C Box Guide- ESD



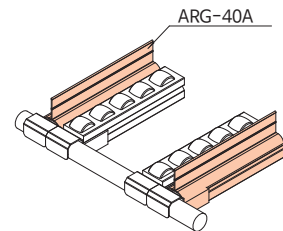
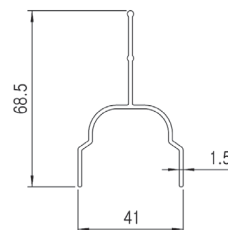
Material	Aluminum
Length	4,000mm
Weight	0.52kg/m



## ARG-40A Box Guide- ESD



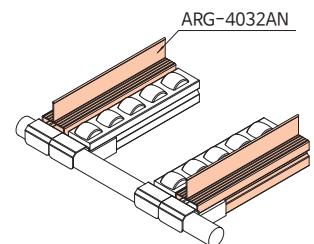
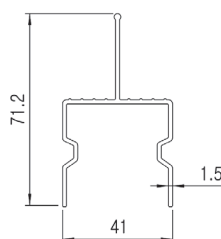
Material	Aluminum
Length	4,000mm
Weight	0.53kg/m



## ARG-4032AN Box Guide- ESD

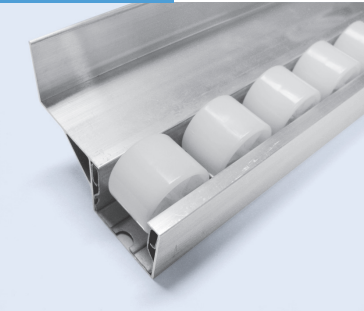


Material	Aluminum
Length	4,000mm
Weight	0.67kg/m

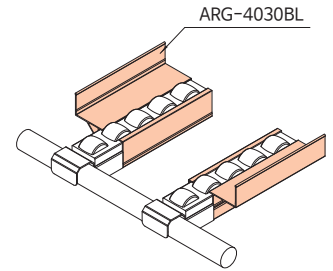
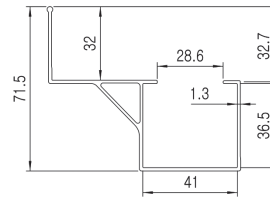


Unit : mm

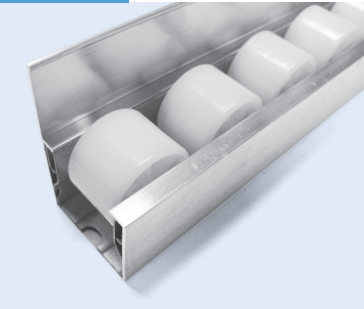
## ARG-4030BL Box Guide- ESD



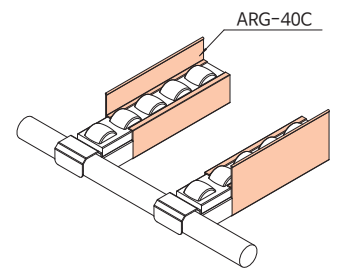
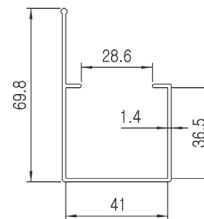
Material	Aluminum
Length	4,000mm
Weight	0.87kg/m



## ARG-40C Box Guide- ESD



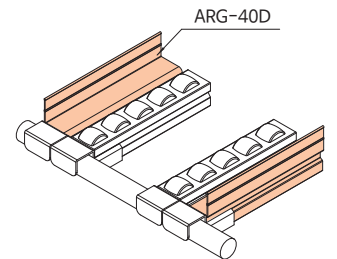
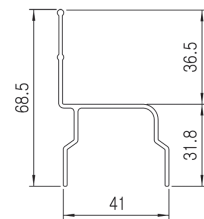
Material	Aluminum
Length	4,000mm
Weight	0.62kg/m



## ARG-40D Box Guide- ESD



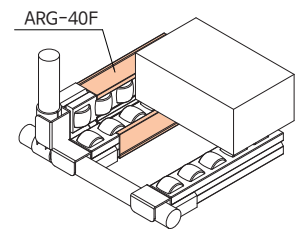
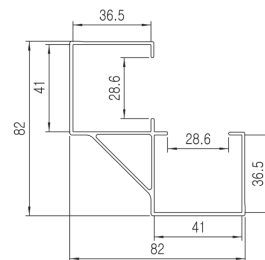
Material	Aluminum
Length	4,000mm
Weight	0.52kg/m



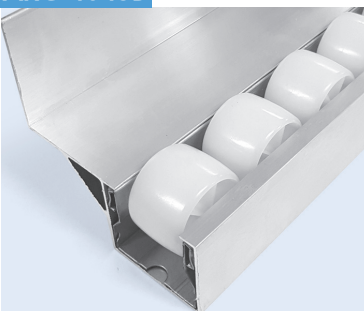
## ARG-40F Box Guide- ESD



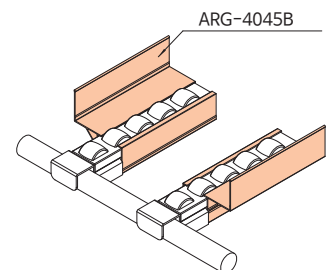
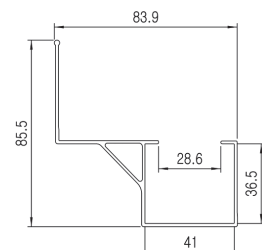
Material	Aluminum
Length	4,000mm
Weight	1.11kg/m



## ARG-4045B Box Guide- ESD

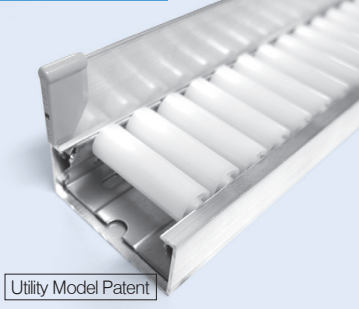


Material	Steel
Length	4,000mm
Weight	0.91kg/m

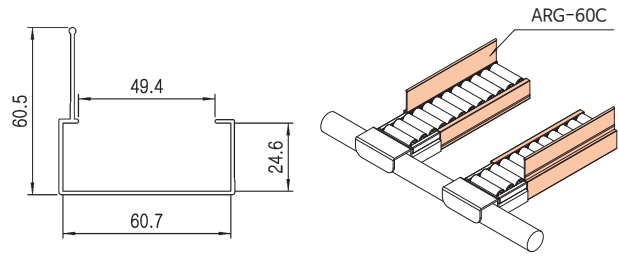


Unit : mm

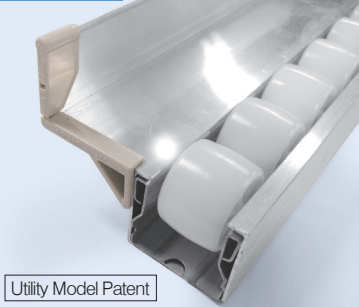
## ARG-60C Box Guide- ESD



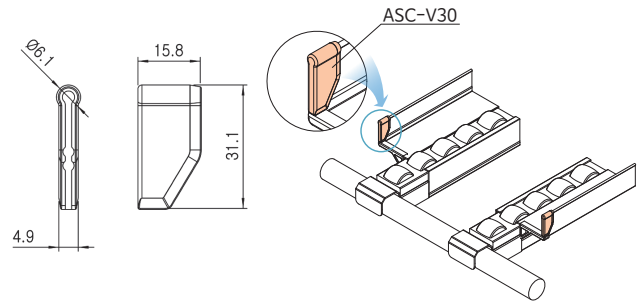
Material	Aluminum
Length	4,000mm
Weight	0.59kg/m



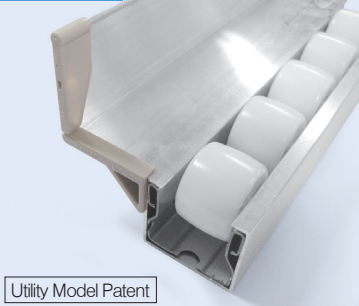
## ASC-V30 Vertical Safety Cap



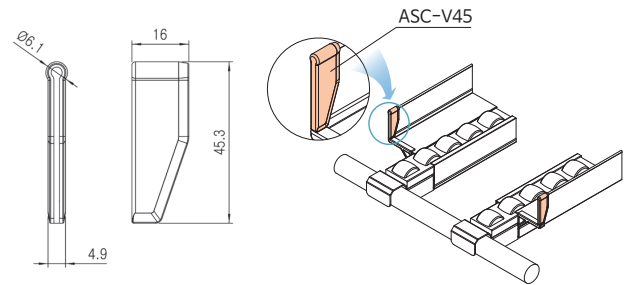
Material	ABS
Weight	0.001kg
Q'ty/Box	6,000 EA



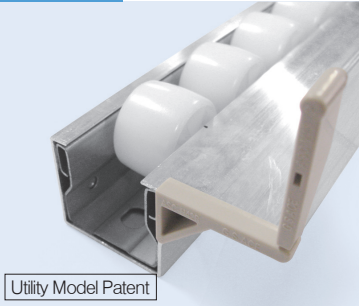
## ASC-V45 Vertical Safety Cap



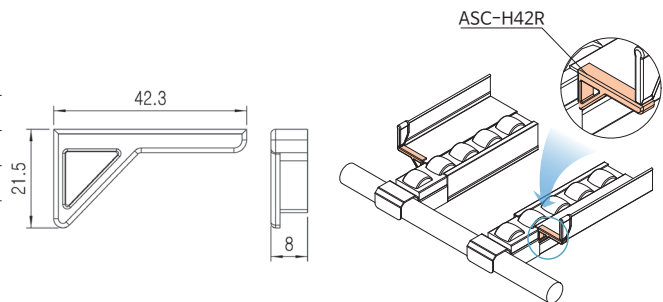
Material	ABS
Weight	0.002kg
Q'ty/Box	4,000 EA



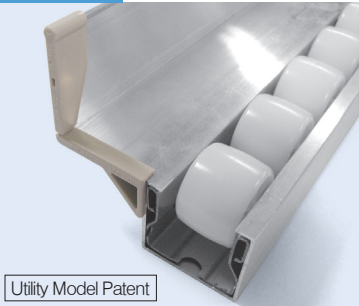
## ASC-H42R Horizontal Safety Cap



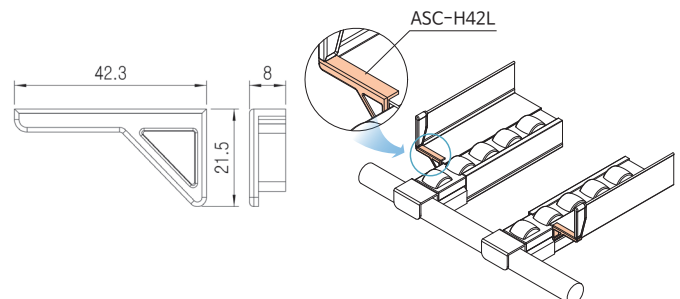
Material	ABS
Weight	0.002kg
Q'ty/Box	4,000 EA



## ASC-H42L Horizontal Safety Cap

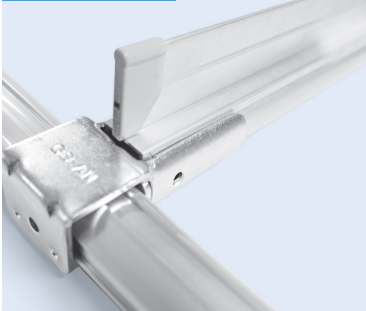


Material	ABS
Weight	0.002kg
Length	4,000 EA

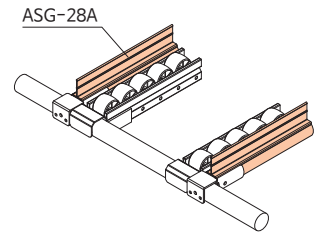
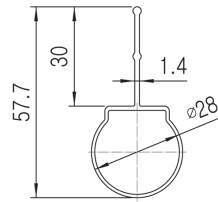




**ASG-28A** Box Guide - ESD



Material	Aluminum
Length	4,000mm
Weight	0.380kg/m



# ACCESSORIES PLASTIC CHANNEL

Unit : mm

Material-PVC

## L-Type

Part No		Thickness	H	W	Weight (kg)	Configuration
Normal	ESD					
AL-1	EAL-1	3	30	50	0.370	
AL-2	EAL-2	4	30	60	0.525	
AL-9	EAL-9	4	30	75	0.618	
AL-5B	EAL-5B	4	50	50	0.544	
AL-6B	EAL-6B	4	50	75	0.656	
AL-8	EAL-8	4	50	100	0.886	
AL-7B	EAL-7B	4	50	150	1.116	
AL-4	EAL-4	4	80	90	0.978	
AL-5	EAL-5	5	50	50	0.590	
AL-6	EAL-6	5	50	75	0.884	
AL-7	EAL-7	5	50	150	1.510	

## T-Type

Part No		Thickness	H	W	Weight (kg)	Configuration
Normal	ESD					
AT-1	EAT-1	4	50	100	0.904	
AT-2	EAT-2	4	100	60	0.906	
AT-3	EAT-3	4	150	60	1.145	

## U-Type

Part No		Thickness	W1	W2	H1	H2	Weight (kg)	Configuration
Normal	ESD							
AU-1	EAU-1	3	36	-	36	36	0.454	
AU-2	EAU-2	3	55	-	30	40	0.572	

## S-Type

Part No		Thickness	W1	W2	H1	H2	Weight (kg)	Configuration
Normal	ESD							
AS-1	EAS-1	4	32	70	34	25	0.772	
AS-2	EAS-2	5	22	60	30	30	0.580	
AS-3	EAS-3	4	17	50	30	30	0.800	

## Pipe-Cover


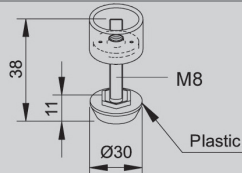
Part No		Thickness	$\theta$	-	-	-	Weight (kg)	Configuration
Normal	ESD							
PC-01	EPC-01	2.5	75°	-	-	-	0.320	
PC-02	EPC-02	2.5	135°	-	-	-	0.310	

# ACCESSORIES LEVELING FOOT

Unit : mm


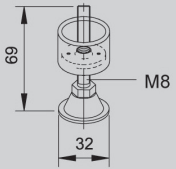
## Small-Type

**AD30PA LEVELING FOOT**


- Weight : 0.035kg
- Q'ty/Box : 150pcs

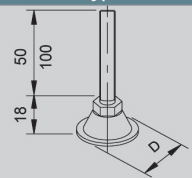
**AD32WA LEVELING FOOT**



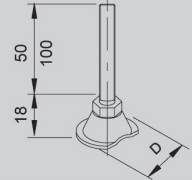



- Weight : 0.053kg
- Q'ty/Box : 125pcs



## Normal-Type

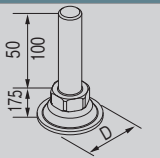


Part No	Base Diameter	Threaded Spec	Threaded Length	ESD	Type
AD32WB	Ø32	1/2"-12N	50	○	
AD32WC			100	○	
AD32WB-M		M12	50	○	
AD32WC-M	100		○		
AD32WD	Ø32	1/2"-12N	150	○	

AD50WA/B	AD50WA/B-AC	Part No	Base Diameter	Threaded Spec	Threaded Length	ESD	Type
		AD50WA	Ø50	1/2"-12N	50	○	
		AD50WB			100	○	
		AD50WA-M	Ø50	M12	50	○	
		AD50WB-M			100	○	
		AD50WA-AC	Ø50	1/2"-12N	50	○	
		AD50WB-AC			100	○	


## STS-Type (Optional Pad)

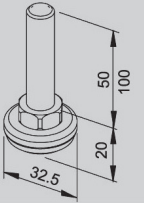



Part No	Base Diameter	Threaded Spec	Threaded Length	ESD	Type
AD35SA	Ø35	1/2"-12N	50	○	
AD35SB			100	○	
AD40SPA	Ø40	1/2"-12N (Rubber Type)	50	○	
AD40SPB			100	○	


## Rubber Pad-Type

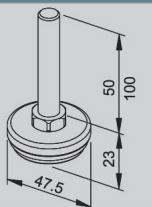
Registration patent




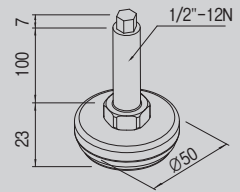
Part No	Base Diameter	Threaded Spec	Threaded Length	ESD	Type
AD32RA	Ø32	1/2"-12N	50	○	
AD32RB			100	○	
AD32RA-M	Ø32	M12	50	○	
AD32RB-M			100	○	

Registration patent




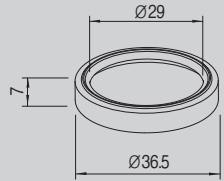
Part No	Base Diameter	Threaded Spec	Threaded Length	ESD	Type
AD50RAN	Ø50	1/2"-12N	50	○	
AD50RBN			100	○	
AD50RAN-M	Ø50	M12	50	○	
AD50RBN-M			100	○	
AD50RDN	Ø50	1/2"-12N	150	×	
AD50REN			200	×	

**AD50RAN-H Leveling Foot**

- Weight : 0.120kg
- Q'ty/Box : 60pcs

**RB-AD37 Leveling Foot Rubber Pad**

- Weight : 0.006kg
- Q'ty/Box : 1,500pcs


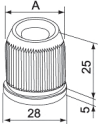
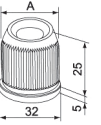

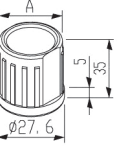

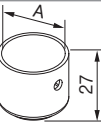
ACCESSORIES

# ACCESSORIES

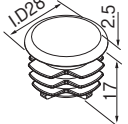
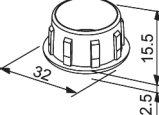
## THREADED INSERTS & INNER CAP

### Thread Inserts

Unit : mm

	Part No	Classification	Application	Colors	Threaded Spec	Material	A	Dimension			
	BC2807A	Coated Pipe	Ø28×T0.7	White	1/2"-12N	Steel	Ø24.1				
	BC2807B				M12-P1.75						
	BC2807C				1/2"-12N						
	BC2807D			White	M10-P1.5						
	BC2810A			Ø28×T1.0	White	1/2"-12N			Steel	Ø23.5	
	BC2810B					M12-P1.75					
	BC2810C		1/2"-12N								
	BC2810D		White	M10-P1.5	Steel	Ø22.7					
	BC2814A		Ø28×T1.4	White			1/2"-12N				
	BC2814B						M12-P1.75				
	BC2820A				1/2"-12N		Steel		Ø21.9		
	BC2820B		M12-P1.75								
	BC2820D	1/2"-12N	Steel	Ø26.8							
	BS07A	STS Pipe			Ø28×T0.7	White	1/2"-12N			Steel	Ø26.3
	BS07B						M12-P1.75				
	BS07D		M10-P1.5								
	BS10A	ECO Pipe	Ø28×T1.0		White	1/2"-12N	Steel		Ø26.1		
	BS10B					M12-P1.75					
BS12A	1/2"-12N			Steel		Ø25.5					
BS12B	M12-P1.75										
BS12D	M10-P1.5										
BC3210A	Coated Pipe	Ø32×T1.0	White	1/2"-12N	Steel		Ø27.5				
				M12-P1.75					Steel		
	AS2807A	STS Pipe	Ø28×T0.7	Gray	1/2"-12N		Aluminum	Ø26.5			
	AS2807B				M12-P1.75						
	AC2809A	Coated Pipe	Ø28×T1.0		1/2"-12N	Ø23.8					
	AC2809B				M12-P1.75						
	AC2814A				1/2"-12N			Ø22.8			
	AC2814B				M12-P1.75						
	OB28AN	All Pipe	Ø28	White	1/2"-12N	Steel	Ø27.7				
	OB28BN				M12-P1.75						

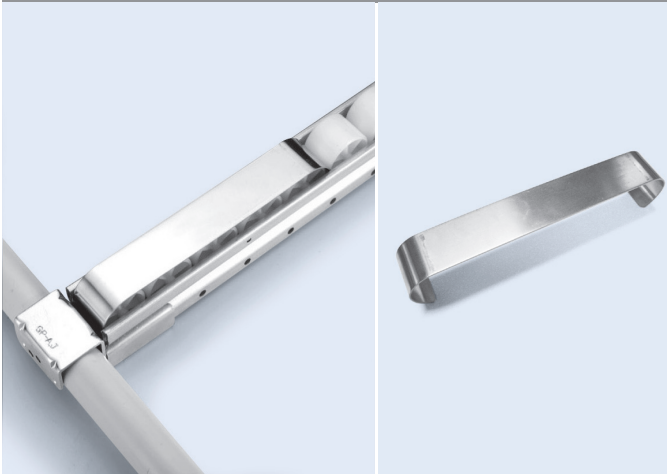
### Inner Cap

	Classification	Part No	Colors	Marking	Material	Dimension	
Ø28	All Thickness Pipe (Coated Pipe & STS Pipe)	GAP-4P-i	Ivory	GAP-4P	Plastic		
		GAP-4P-B	Black				
		GAP-4P-G	Gray				
		GAP-4R-B	Black	GAP-4R			
		Coated Pipe	GAP-4C-i	Ivory			GAP-4C
			GAP-4C-B	Black			
	GAP-4C-G		Gray				
	STS Pipe ECO Pipe	GAP-4S-i	Ivory	GAP-4S			
		GAP-4S-B	Black				
		GAP-4S-G	Gray				
	Ø32	Coated Pipe	GAP-4310-i	Ivory	GAP-4310		
			GAP-4310-B	Black			
GAP-4310-G			Gray				

# ACCESSORIES OTHER

## EWS-( ) WORK STOPPER

### STANDARD TYPE (Material-STS)



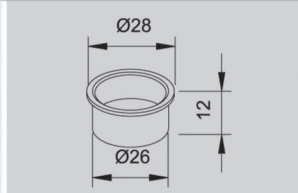
Part No	Model	Weight	Q'ty/BOX
EWS-A	GP4036A/4036B	0.056kg	240pcs
EWS-B	GP4050C	0.041kg	300pcs
EWS-C	GP8550B	0.136kg	70pcs
EWS-D	GP4050D	0.061kg	160pcs
EWS-E	GP3533B	0.036kg	320pcs
EWS-F	GP6033B	0.085kg	170pcs
EWS-F2	GP6033B(2Roller)	0.046kg	110pcs
EWS-G	GP4040A/B	0.085kg	240pcs
EWS-G2	GP4040A/B(2Roller)	0.036kg	140pcs
EWS-H	GP7040B/8540L	0.130kg	120pcs
EWS-J	GP6016S	0.078kg	200pcs
EWS-J2	GP6016S(5Roller)	0.050kg	250pcs
EWS-K	GP8543B/HA	0.140kg	90pcs

### SPECIAL TYPE (Material-STS)



Part No	Model	Weight	Q'ty/BOX
EWS-AN	GP4036A/4036B	0.086kg	250pcs
EWS-GN	GP4040A/B	0.056kg	250pcs
EWS-GN2	GP4040A/B(2Roller)	0.019kg	200pcs
EWS-MN	GPR8545B/HA	0.155kg	30pcs
EWS-PN	GPR2528A	0.023kg	410pcs

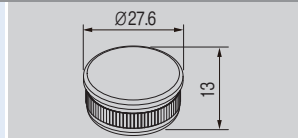
## GAS-07S STEEL CAP



- Weight : 0.009kg
- Q'ty/BOX : 600pcs

Part No	Pipe	Diameter	Remark
GAS-07A	Coated Pipe	Ø28x t 0.7	WZ
GAS-10A		Ø28 x t 1.0	WZ
GAS-07S	STS/Eco Pipe	Ø28 x t 0.7	WZ
GAS-12S		Ø28 x t 1.2	WZ

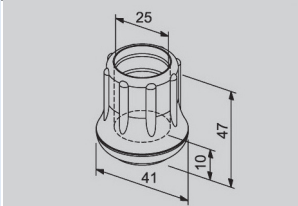
## GAM-07S METAL CAP



- Weight : 0.037kg
- Q'ty/Box : 500pcs

Part No	Pipe	Diameter	Remark
GAM-07S	STS Pipe	Ø28 X t0.7	WZ

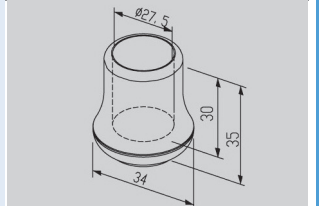
## RF-01 Rubber Foot



- Weight : 0.035kg
- Q'ty/Box : 250pcs

RF-01 : Normal (D/Gray)  
RF-01E : ESD (Black)

## RF-02 Rubber Foot



- Weight : 0.011kg
- Q'ty/Box : 450pcs

# ACCESSORIES OTHER

## Fasteners

Fastener Type	Part No	Item	Spec	Colors	Usage	Fastener Type	Part No	Item	Spec	Colors	Usage
	TN06W	T-Nut	M6	White	Metal Joint		M0610W	M6x10	P 1.0	White	Metal Joint
	TN06B		M6	Black			P 1.0		Black		
	SW10W	Spring Washer	M10	White	M10Bolt		M0625W	M6x25	P 1.0	White	Metal Joint
	SW13W		M12		M12Bolt		M0625B		P 1.0	Black	
	PW05W	Flat Washer	M5	White	M5Bolt		M0630W	M6x30	P 1.0	White	
	PW10W		M10		M10Bolt		M0630B		P 1.0	Black	
	NN06W	Nylon Nut	M6	White	M6Bolt		M0830W	M8x30	P1.25	White	AL Joint
	NN08W		M8		M8Bolt		M0840W		M8x40		
	NN10W		M10		M10Bolt		M1020W	M10Bolt	P1.25	White	Caster
	NN12W		M12		M12Bolt		M1225W	M12Bolt	P1.25		
	NN05W-i		inch Nylon Nut		1/2"-12N		inch Bolt	GM835W	M8Bolt		
N06W	Nut	M6	M6 Bolt	GM840W	P1.25						
N08W		M8	M8 Bolt	GM845W	P1.25						
Ni05W-12	inch Nut	1/2"-12N	inch Bolt	GM850W	P1.25						
					GM860W	P1.25					
	Gi0532W-12	inch Bolt 32mm	1/2"-12N	White	Caster		HM0620	KNOB Bolt	P1.0	Black	Metal Joint
	Gi0575W-12	inch Bolt 75mm	1/2"-12N		Base Lock Metal		HM0630		P1.0		





G.S.ACE INDUSTRY CO., LTD.

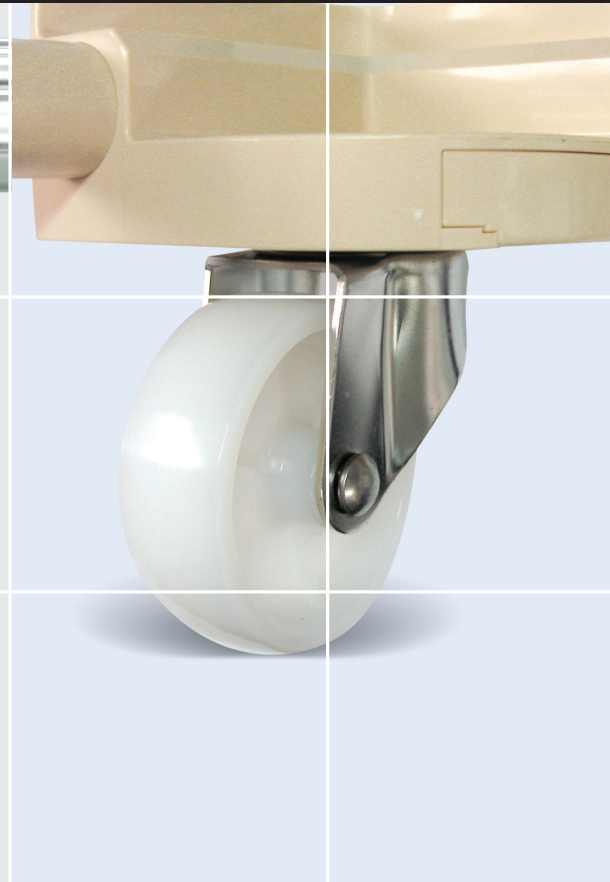
# CASTERS PIPE RACKING SYSTEM

THREADED  
STEM TYPE

GRIP RING TYPE

FASTENING  
RUBBER TYPE

TOP PLATE TYPE



# CASTER

## CASTERS NUMBERING SYSTEMS

**T 36 3 S - 1 B**

Stem Type	Series No.	Wheel Size	Type	Wheel Material	Brake
T : Thread G : Grip Ring F : Fastening Rubber P : Top Plate Type	30 32 36 50 60 62 68	2-2" 2.5-2.5" 3-3" 3.5-3.5" 4-4" 6-6" 8-8"	S : Swivel R : Rigid	1 : Soft Rubber 2 : Polyurethane(Red) 3 : Nylon 4 : Rubber Plastic 5 : Polyurethane(Gray) E : ESD	B : Brake DB : Double Brake S : Stainless BS : STS Brake

## THREADED STEM TYPE

### Design



Part No.			Wheel Dia (inch)	Wheel Material	Inch(mm)	Inch	kg	mm<A>	Section	Threaded Specification		
SWIVEL	BRAKE	ESD										
T302S-1	T302S-1B	T302S-E	2"	Soft Rubber	20	Plain	40	72	Light	1/2" x12N-15L		
T302S-2	T302S-2B	-	Polyurethane									
T3625S-1	T3625S-1B	T3625-E	2.5"	Soft Rubber	25	Plain	35	87				
T3625S-2	T3625S-2B	-		Polyurethane							Ball	45
T3625S-4	T3625S-4B	-		Rubber Plastic							Ball	40
T363S-1	T363S-1B	T363S-E	3"	Soft Rubber	25	Plain	45	99				
T363S-3	T363S-3B	-		Nylon							Plain	65
T363S-4	T363S-4B	-		Rubber Plastic							Ball	55

## Wheel





# CASTER

## THREADED STEM TYPE

### Design



Part No.			Wheel Dia (inch)	Wheel Material	Inch(mm)	Ball	kg	mm<A>	Section	Threaded Specification
SWIVEL	BRAKE	ESD								
T503S-1	T503S-1B	T503S-E	3"	Soft Rubber	32	Ball	56	103	Light	1/2" x12N-25L
T503S-2	T503S-2B	-		Polyurethane			100			
T504S-1	T504S-1B	T504S-E	4"	Soft Rubber			75	128		
T504S-2	T504S-2B	-		Polyurethane			100			

### Wheel



## GRIP RING TYPE

### Design



Part No.			Wheel Dia (inch)	Wheel Material	Inch(mm)	Plain	kg	mm<A>	Section	Threaded Specification
SWIVEL	BRAKE	RIGID								
G813S-2	G813S-2B	G813R-2	3"	Polyurethane	32	Plain	75	100	Light	φ 11 X 38mm

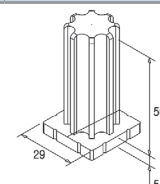
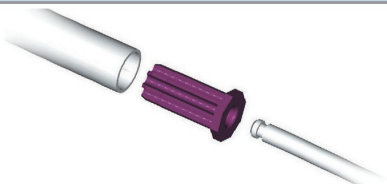
Assembly : Pipe + GAP-9 + Grip Ring Caster

GAP-9C

Coated Pipe (φ 28XT1.0)

GAP-9S

STS/Eco Pipe (φ 28XT0.7)



# CASTER

## FASTENING RUBBER TYPE

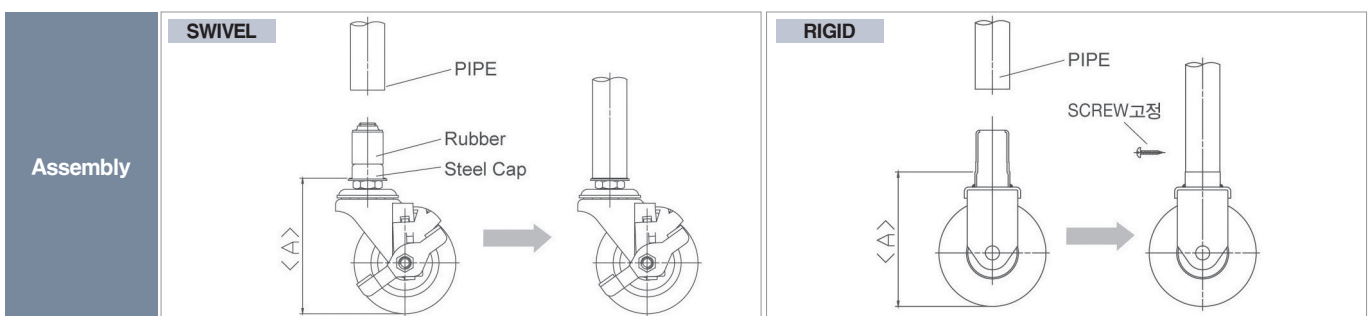
### Design



Pipe	Part No.			Wheel Dia (inch)	mm	Wheel Type	kg	<A>
	SWIVEL	BRAKE	RIGID					
Coated Pipe	FC302S-1	FC302S-1B	-	2"	20	Plain	35	72
	FC303S-1	FC303S-1B	-	3"			45	97
	FC363S-1	FC363S-1B	-	3"	25	Plain / Ball	45	99
	FC363S-4	FC363S-4B	FC363R-4			Ball	50	99
	FC364S-1	FC364S-1B	FC364R-1	4"	25	Plain / Ball	55	123
	FC364S-4	FC364S-4B	FC364R-4			Ball	60	123
	FC503S-1	FC503S-1B	-	3"	32	Plain	56	104
	FC5035S-1	FC5035S-1B	-	3.5"			63	119
	FC504S-2	FC504S-2B	-	4"			85	129
	FCD374S-1	FCD374S-1B	-	4"			20	Disc
STS/ECO Pipe	FS302S-1	FS302S-1B	FS302R-1	2"	20	Plain	35	72
	FS303S-1	FS303S-1B	FS303R-1	3"			45	97
	FS363S-1	FS363S-1B	-	3"	25	Plain / Ball	45	99
	FS363S-4	FS363S-4B	FS363R-4			Ball	50	99
	FS364S-1	FS364S-1B	FS364R-1	4"	25	Plain / Ball	55	123
	FS364S-4	FS364S-4B	FS364R-4			Ball	60	123
	FS503S-1	FS503S-1B	-	3"	32	Plain	56	104
	FS5035S-1	FS5035S-1DB	-	3.5"			63	119
			FS504R-2	4"			85	129
	FSD374S-1	FSD374S-1B	-	4"			20	Disc

\* FASTENING RUBBER TYPE : ESD is available

<b>Remark</b>	Wheel Material : Soft Rubber (Normal) / ESD Soft Rubber	FC : Fastening Rubber-Coated Pipe ( φ28 x T0.7 / T1.0 ) FS : Fastening Rubber-STS/Eco Pipe ( φ28 x T0.7 / T1.2 )
---------------	---	---



# CASTER

## TOP PLATE TYPE

### Design



Part No.				Wheel Dia (inch)	Wheel Material	mm	Plain	kg	mm	Plate Dimension(mm)	
SWIVEL	BRAKE	DOUBLE BRAKE	RIGID							Overall <D×E>	Hole <B×C>
P363S-3S (All Stainless)	-	-	-	3"	Nylon	25	Plain	65	95	70X60	55X42
P363S-3 (Steel)	-	-	-								
P503S-1	P503S-1B	P503S-1DB	P503R-1	3"	Soft Rubber	32	Ball	56	103	95X64	75X45
P503S-2	P503S-2B	P503S-2DB	P503R-2		Polyurethane			100			
P504S-1	P504S-1B	P504S-1DB	P504R-1	4"	Soft Rubber	32	Ball	75	128	95X64	75X45
P504S-2	P504S-2B	P504S-2DB	P504R-2		Polyurethane			105			
P505S-1	P505S-1B	P505S-1DB	P505R-1	5"	Soft Rubber	32	Ball	80	156	95X64	75X45
P505S-2	P505S-2B	P505S-2DB	P505R-2		Polyurethane			115			

※ P503 / P504 / P505 Series : ESD is available

### Wheel





# CASTER

## TOP PLATE TYPE

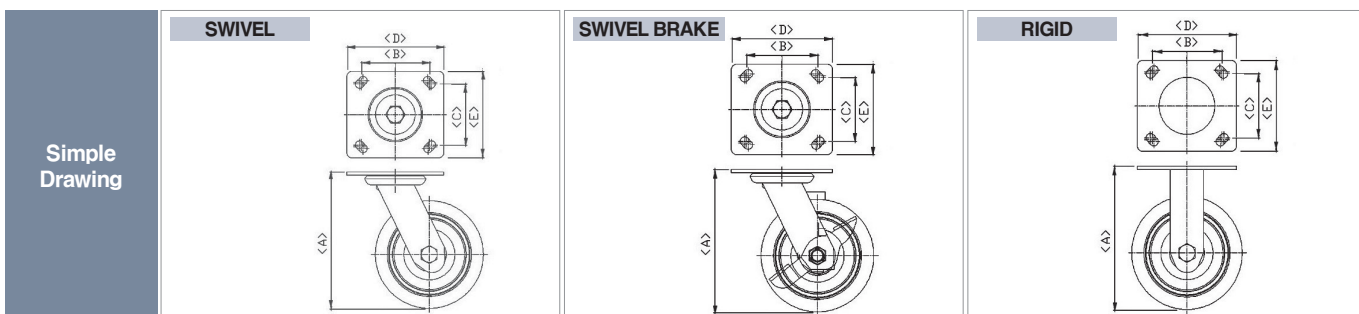
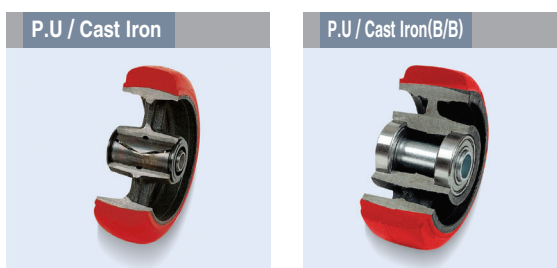
### Design



Part No.			Wheel Dia (inch)	Wheel Material	mm		kg		Plate Dimension(mm)	
SWIVEL	BRAKE	RIGID							Overall <D×E>	Hole <B×C>
P624S-2	P624S-2B	P624R-2	4"	Polyurethane	38	Roller	220	136	114X102	80X76
P625S-2	P625S-2B	P625R-2	5"							
P626S-2	P626S-2B	P626R-2	6"							
P664S-2	P664S-2B	P664R-2	4"	Polyurethane	50	Roller/ Ball	320	143	114X102	80X76
P665S-2	P665S-2B	P665R-2	5"							
P666S-2	P666S-2B	P666R-2	6"							
P686S-2	P686-2B	P686R-2	6"	Polyurethane	50	Ball	360	200	159X114	125X62
P688S-2	P688-2B	P688R-2	8"	Polyurethane	50	Roller/ Ball	400	248	159X114	125X62

※ P686 Series : Shock Absorbing Caster

### Wheel



# CASTER

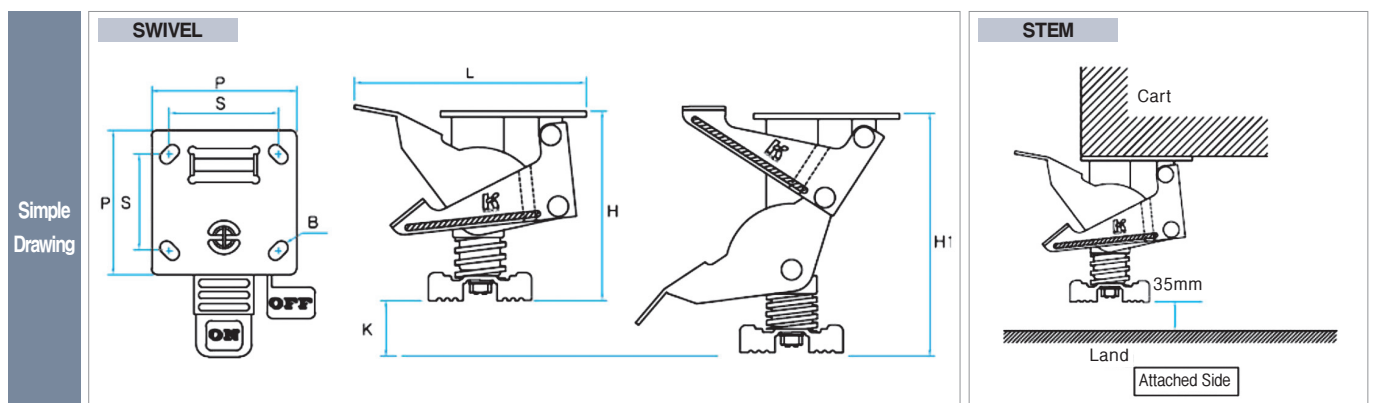
## KH-200 (FLOOR LOCK)

### Design



Item No.	Height H	Stroke K	Working height H1	Length L	Plate P	Bolt distance S	Bolt hole B	Caster height
KH-200-4	103	27	130~145	150	97X88	70 X 60	10	125~140
KH-200-5	120	27	147~172	150	97 X 88	70 X 60	10	145~165
KH-200-Stainless	160	45	205~230	195	120X120	85 X 85	10	188~220
KH-200-Adjustment	160	45	205~230	195	120X120	85 X 85	10	188~220
KH-200-6	160	45	205~230	195	120X120	85 X 85	11	188~220
KH-200-8	210	40	250	195	120X120	85 X 85	11	240~245

※ Please Referring the caster height to select the Floor Lock

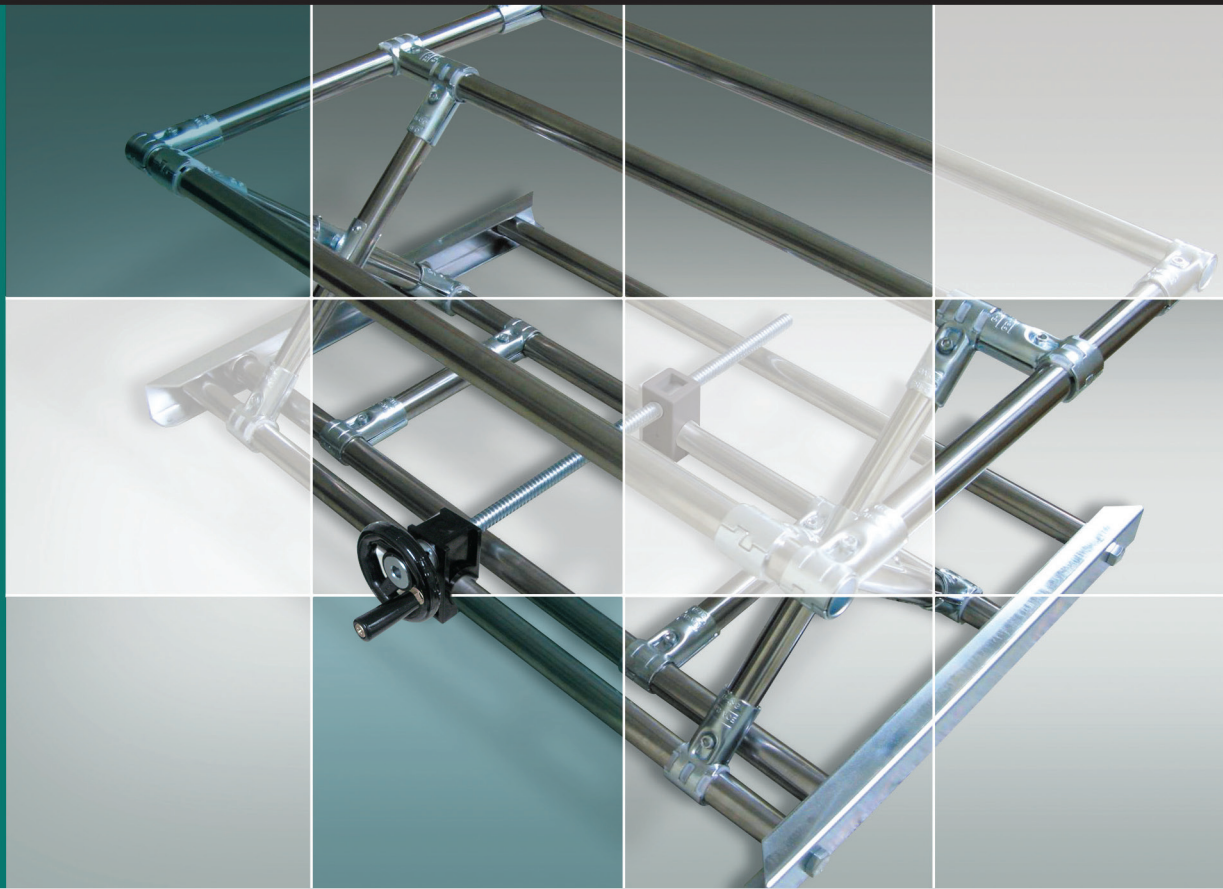


Simple Drawing

# LIFT TABLE

Comprehensive  
Production from

part manufacturing  
to assembly



# LIFT TABLE

## LIFT TABLE

### ※ Feature

User can easily move the table of the lift table in accordance with the height of him or her.  
Also, the user will plainly modify the structures of the lift table.

### ※ Specification

Model	LT-500	LT-750
TABLE SIZE	800X600	1200x800
STROKE	MAX. 200mm	
OPERATION	MANUAL	
LOAD	10Kg	

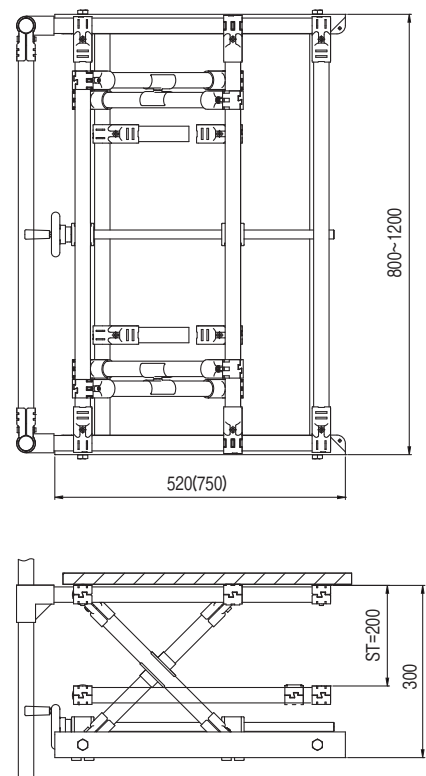


### ※ B.O.M (LT-500)

PART NO.	PART NAME	UNIT	Q'TY	REMARK
L-500	RAIL	EA	2	
TM16-500	SCREW ASS'Y	EA	1	
GAP-21A	NUT BLOCK	EA	1	
GAP-22A	BEARING BLOCK	EA	1	
BB01	BALL BEARING	EA	4	
HD-80	HANDLE	SET	1	
S2807	PIPE	MT	-	Condition of the sizes
GAP-4P	INNER CAP	EA	4	
GAP-12	SLEEVE	EA	10	
GA-1S	JOINTS	SET	10	
GA-12S	JOINTS	SET	10	
PS-A	JOINTS	SET	2	
BS07B	THREADED INSERT	EA	8	
M1225W	BOLT	EA	8	
SW13W	WASHER	EA	4	

※ LT-750 requires L-750 rail

### ※ Dimension



# LIFT TABLE

## LIFT TABLE COMPONENTS

### \* LIFT TABLE COMPONENTS

**L-500 Rail**

- Weight : 0.912kg
- Q'ty/BOX : 50pcs

**L-750 Rail**

- Weight : 1.37kg
- Q'ty/BOX : 40pcs

**TM16-500 Screw ass'y**

- Weight : 0.570kg
- Q'ty/BOX : 100pcs

**BB01 Ball bearing**

- Weight : 0.060kg
- Q'ty/BOX : 84pcs

**GAP-21A Nut block**

- Weight : 0.133kg
- Q'ty/BOX : 42pcs

**GAP-22A Bearing block**

- Weight : 0.115kg
- Q'ty/BOX : 42 pcs

**HD-80 Handle**

- 0.180kg
- Q'ty/Box: 30set

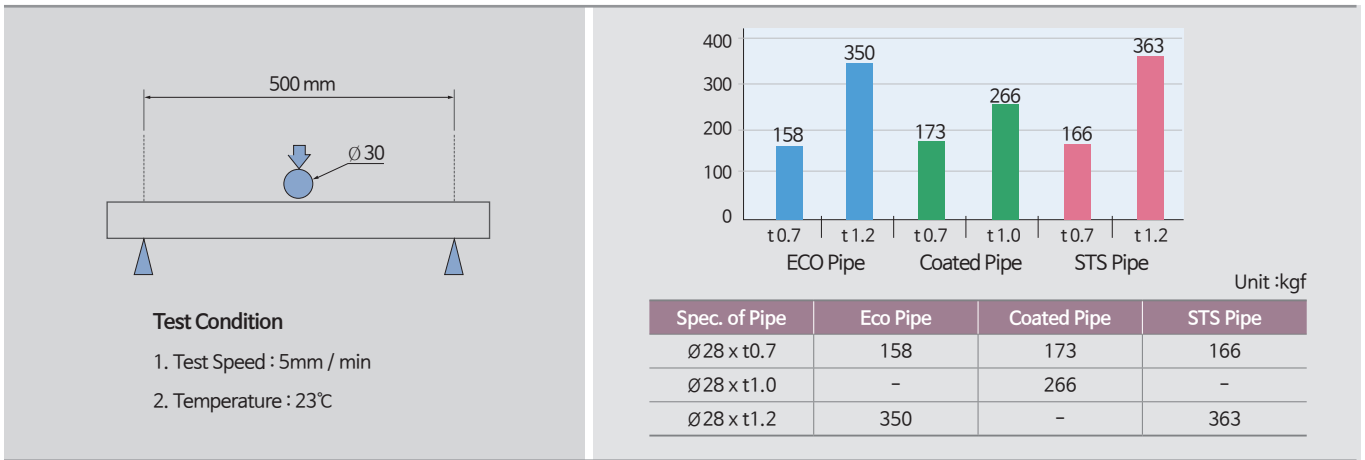
**HD-80 Specification**

Item	Spec	Q'ty	Note
Wheel	Ø80 x M06	1	
Handle	M6,L=60	1	
Key	4 x 4 x 15	1	
Wrench Bolt	M4 x 10	2	
SNAP RING	SN12	1	



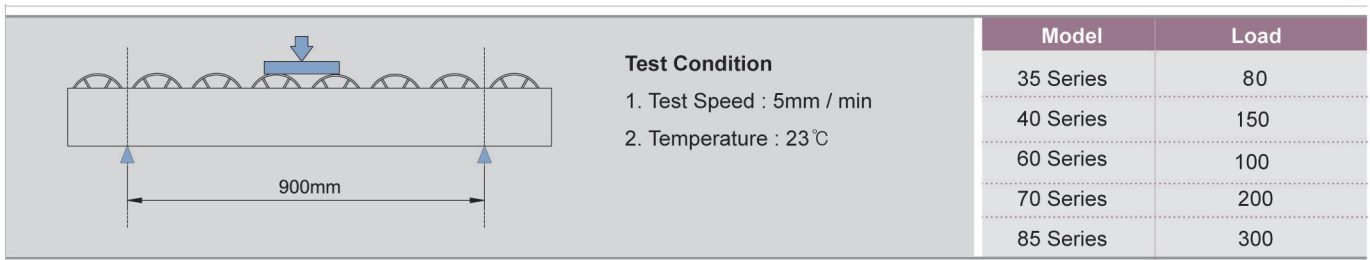
# TECHNICAL SPECIFICATIONS

## BENDING STRENGTH FOR PIPE



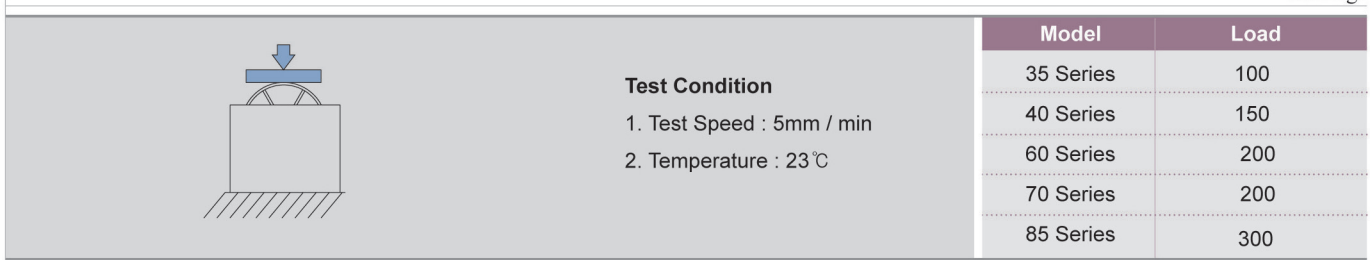
## BENDING STRENGTH FOR ROLLER TRACK

Unit :kgf

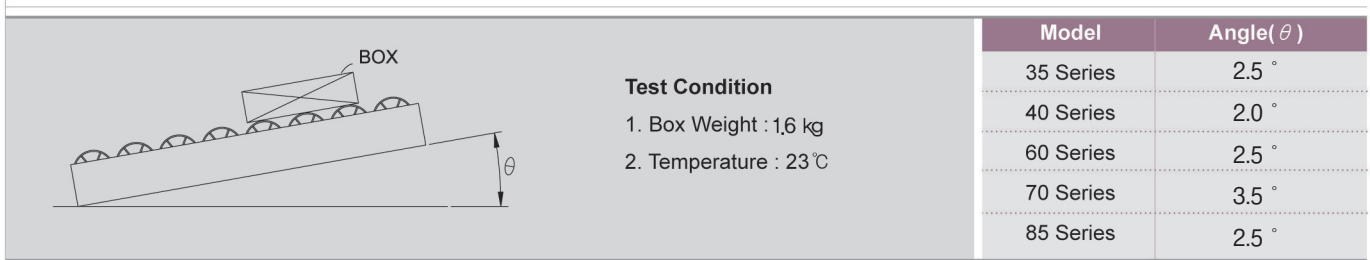


## COMPRESSION STRENGTH OF WHEEL SUBASSEMBLY

Unit :kgf

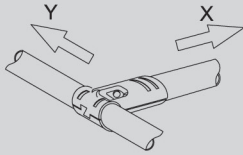


## ANGLE RECOMMENDED FOR CONSISTENT



# TECHNICAL SPECIFICATIONS

## HOLDING FORCE



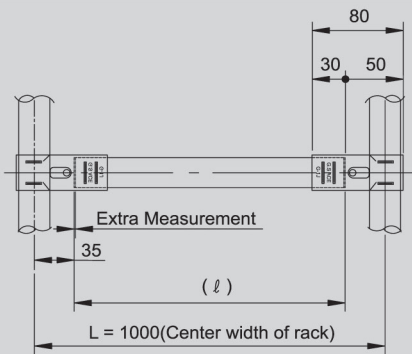
Test Condition

1. Test Speed : 5mm / min
2. Temperature : 23°C

Classification	Coated Pipe		Stainless Steel Pipe	
	Ø28 x t0.7	Ø28 x t1.0	Ø28 x t0.7	Ø28 x t1.2
Direction : X	More Than 80kg	More Than 80kg	More Than 80 kg	More Than 80 kg
Direction : Y	More Than 80kg	More Than 80kg	More Than 80 kg	More Than 80 kg

## DETERMINING STANDARD PIPE LENGTH

### | Metal Joint |

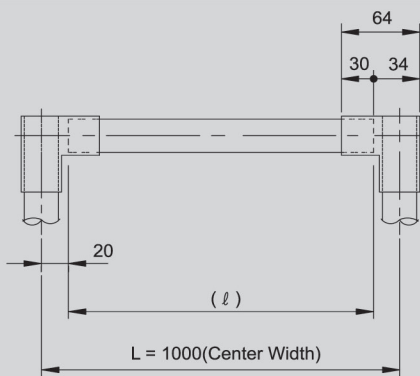


$$l = 1000 - (70+2) = 928(\text{mm})$$

Case of Ø28mm

1000mm	Center Measurement (L)
-70mm	Pipe Length Inside Joint (35mm x 2)
-2mm	Extra Measurement (2mm~5mm)
928mm	Pipe Length ( l )

### | Plastic Joint |



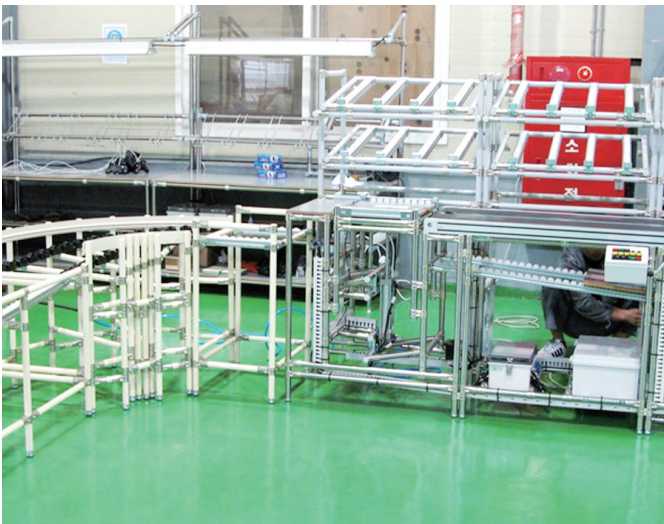
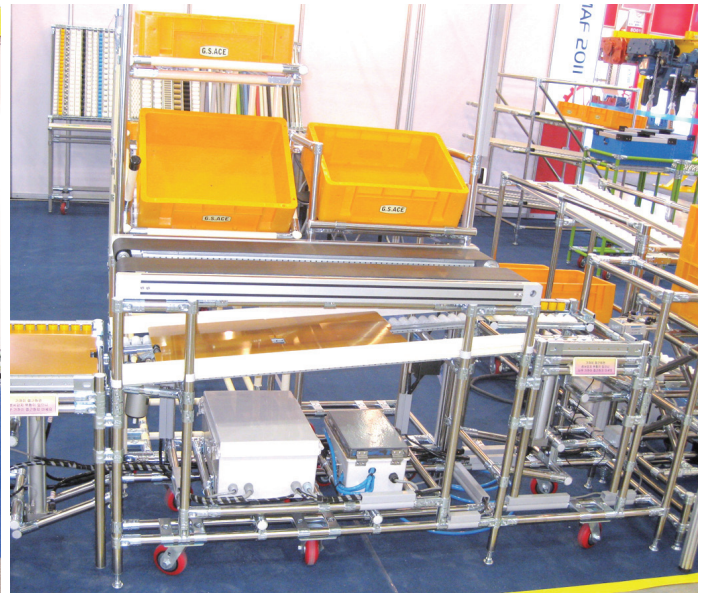
$$l = 1000 - (40+2) = 958(\text{mm})$$

Case of Ø28mm

1000mm	Center Measurement (L)
-40mm	Pipe Length Inside Joint (20mm x 2)
-2mm	Extra Measurement (2mm~5mm)
958mm	Pipe Length ( l )

# EXAMPLES

EXAMPLES FOR LCA



EXAMPLES

# EXAMPLES

EXAMPLES FOR SLIDING RACK



EXAMPLES

# EXAMPLES

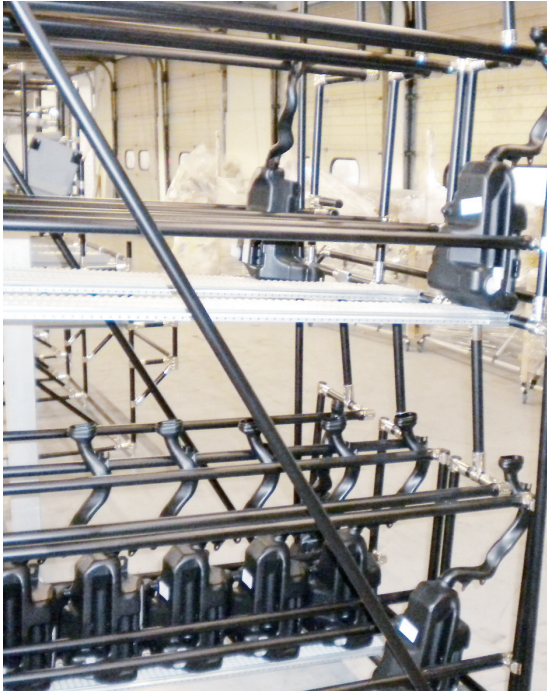
EXAMPLES FOR SLIDING RACK



EXAMPLES

# EXAMPLES

EXAMPLES FOR SLIDING RACK



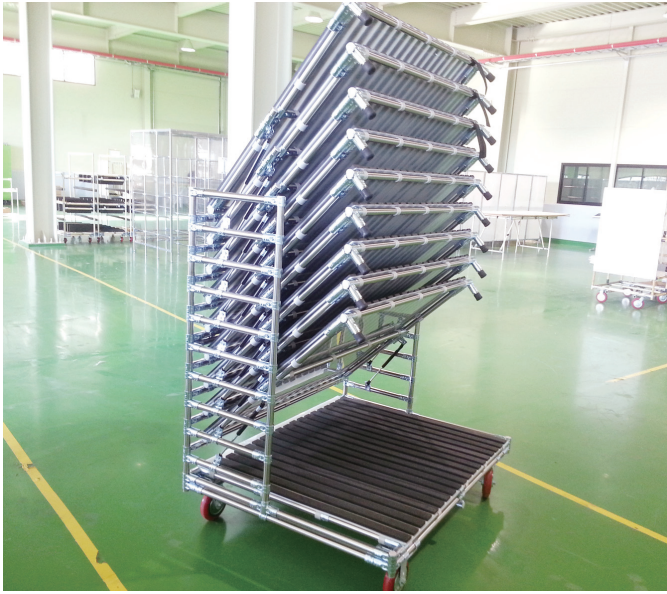
EXAMPLES

# EXAMPLES EXAMPLES FOR CART



EXAMPLES

# EXAMPLES EXAMPLES FOR CART

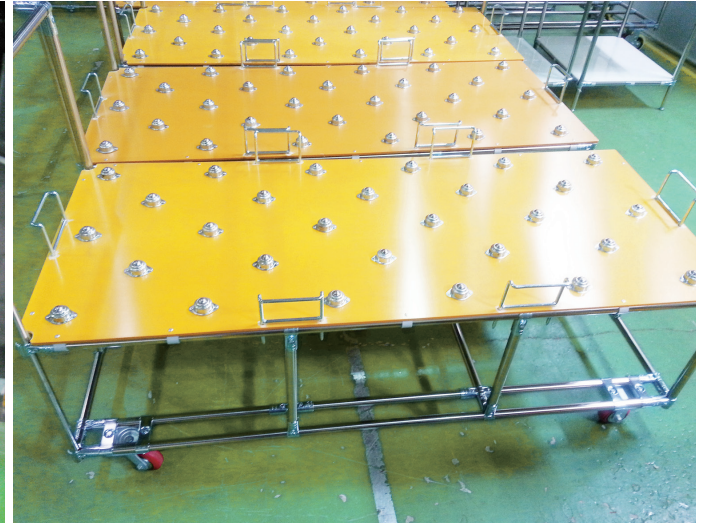


EXAMPLES



# EXAMPLES

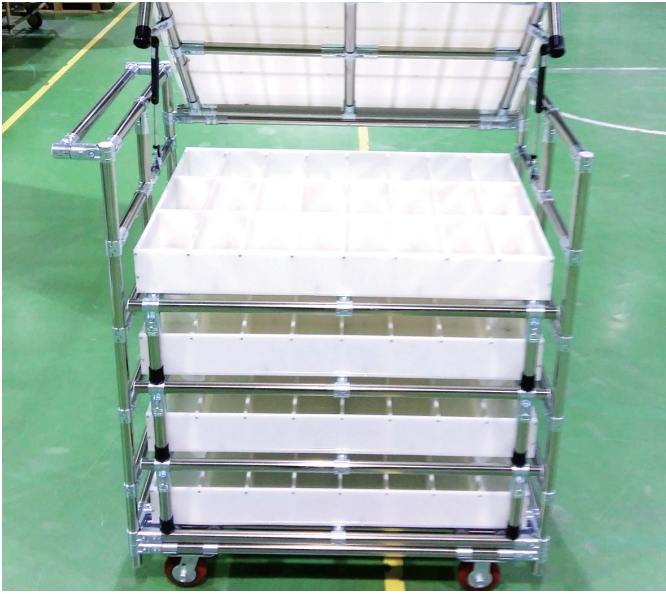
EXAMPLES FOR CART



EXAMPLES

# EXAMPLES

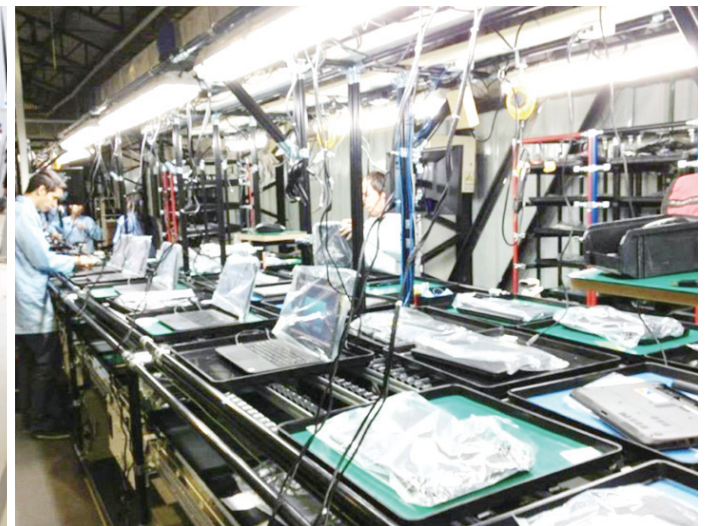
EXAMPLES FOR CART



EXAMPLES

# EXAMPLES

EXAMPLES FOR IMPROVEMENT



# EXAMPLES

EXAMPLES FOR IMPROVEMENT



EXAMPLES

# EXAMPLES

EXAMPLES OF LOGISTIC CENTER



EXAMPLES



EXAMPLES





Comprehensive Production  
from part manufacturing to assembly



## G.S.ACE INDUSTRY CO., LTD.

<http://www.gsace.com>

E-mail : [gsace@gsace.com](mailto:gsace@gsace.com)

### KOREA

#### HEAD OFFICE / FACTORY

13-7, Kalchun Unmal-gil, Hyangnam-eup, Hwaseong-si, Gyeonggi-do, Korea  
(404-1, Songgok-ri)

TEL : 82-31-350-3000 FAX : 82-31-350-3010

#### CHANGWON FACTORY

50, Wanam-ro, Seongsan-gu, Changwon-si, Gyeongsangnam-do, Korea  
(106ho, Techzone SKtechnopark, 77-1, Seongsan-dong)

TEL: 82-55-267-8844~5 FAX : 82-55-267-7704

### CHINA

#### Suzhou FACTORY

No.18 Xingwang Road, Taicang Economic Development Zone,  
Jiangsu,P.R. OF CHINA

TEL:86-0512-3300-5009/10 FAX:86-0512-3300-5011

### VIETNAM

#### HO CHI MINH FACTORY

C-5-1, Road no. 7, Long Binh Industrial Zone,  
Bien Hoa City, Dong Nai Province, Vietnam

TEL : 84-61-389-1315/1317 FAX : 84-61-389-1327